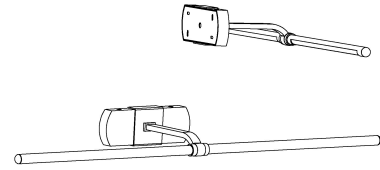


NOTES:

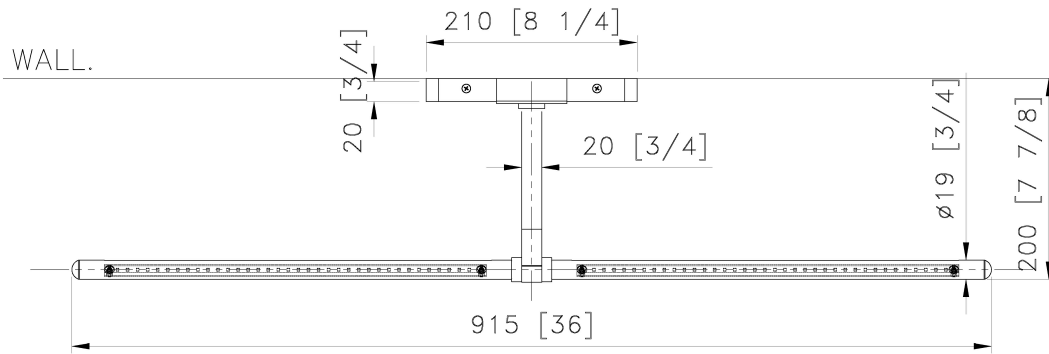
- 1) METAL: AL. EXPOSED METAL FINISH TO BE BRONZE PAINTED COLOR
  - 2) SHADE: MILK WHITE ACRYLIC
  - 3) LAMPING: INTEGRATED LED ~~20W 2700K~~ NON-DIMMABLE 20V.AC. 60Hz W/DRIVER@WALL CANOPY. 15W (1500 LMS)
  - 4) HARD WIRED. SUITABLE FOR INDOOR(DRY)LOCATION USE UL/CUL APPROVED
- \*\*\*APPROX MAX. WEIGHTS: 8LBS

CHANGE TO FROSTED ACRYLIC

UNIVERSAL DRIVER



3D VIEW



\*ENSURE 90 CRI FOR FIXTURE

TOP VIEW

SCALE: 1 : 7

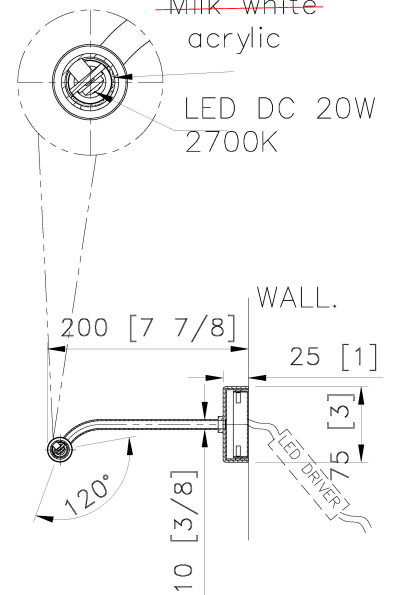
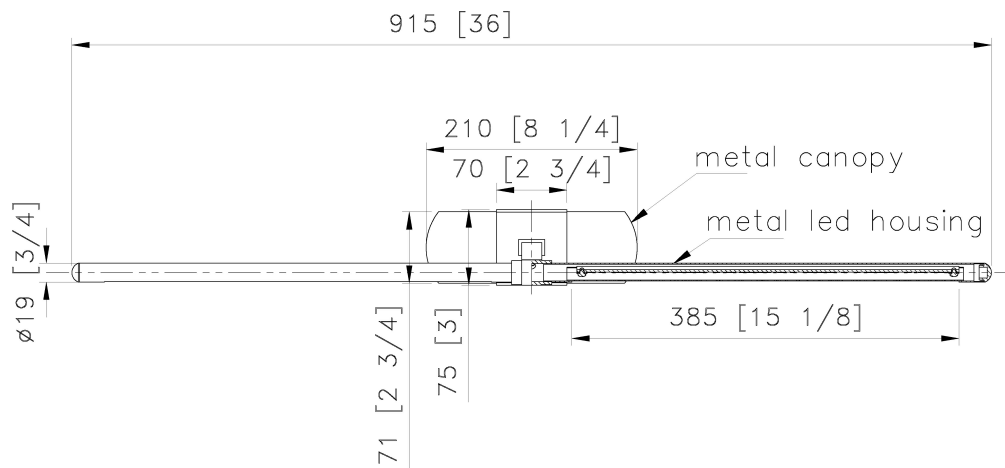
\*PLEASE ENSURE THERE ARE NO VISIBLE SCREWS ON THE EXTERIOR OF THIS FIXTURE.

\*PLEASE PROVIDE THE DELIVERED LUMENS COUNT FOR THIS FIXTURE ON THE NEXT SUBMITTAL.

CHANGE TO FROSTED ACRYLIC

~~Milk white acrylic~~

LED DC 20W 2700K



SIDE VIEW

SCALE: 1 : 7

FRONT VIEW

SCALE: 1 : 7

<p><b>CUSTOM PICTURE WALL LIGHT</b></p> <p>ITEM NO: WS-05 QTY: 16pcs</p> <p>Approval: <input type="checkbox"/> Date: _____</p> <p>With comments: _____</p> <p>Signed By: _____</p> <p>Estimated Leads time are contingent upon receiving approved submittals and are subject to change</p>	<p style="text-align: center;"><b>PROMENADE MULTIFAMILY</b></p> <p>Les Industries CENTURY Industries Inc.                      5645 Royalmount Ave.                      Montreal, Quebec, Canada H4P 2P9                      Tel: 514-842-3933 Fax: 514-842-7481                      Toll free Canada only: 1-877-842-3934                      Date: 2024/10/13 Rev: _____                      (yyyy/mm/dd) (yyyy/mm/dd)</p> <p style="text-align: right;">Dwg. #</p> <div style="border: 1px solid black; padding: 5px; width: fit-content; margin-left: auto;"> <p style="font-size: 2em; margin: 0;">P 1/1</p> </div>
--	---