



CENTURY

LIGHTING | ART | DESIGN

joekrauslighting

301-537-5808

joe@joekrauslighting.com

www.joekrauslighting.com

Starr Hill Taphouse

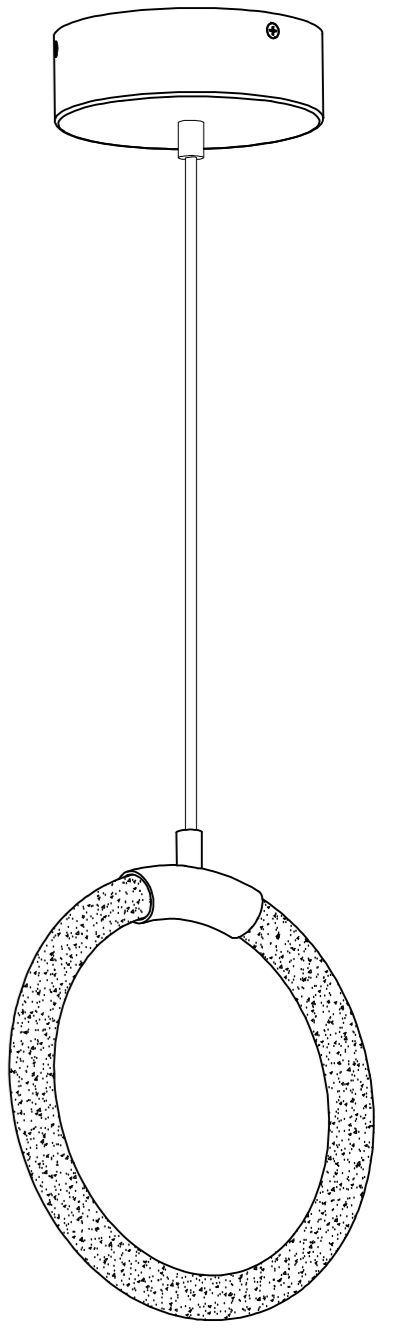






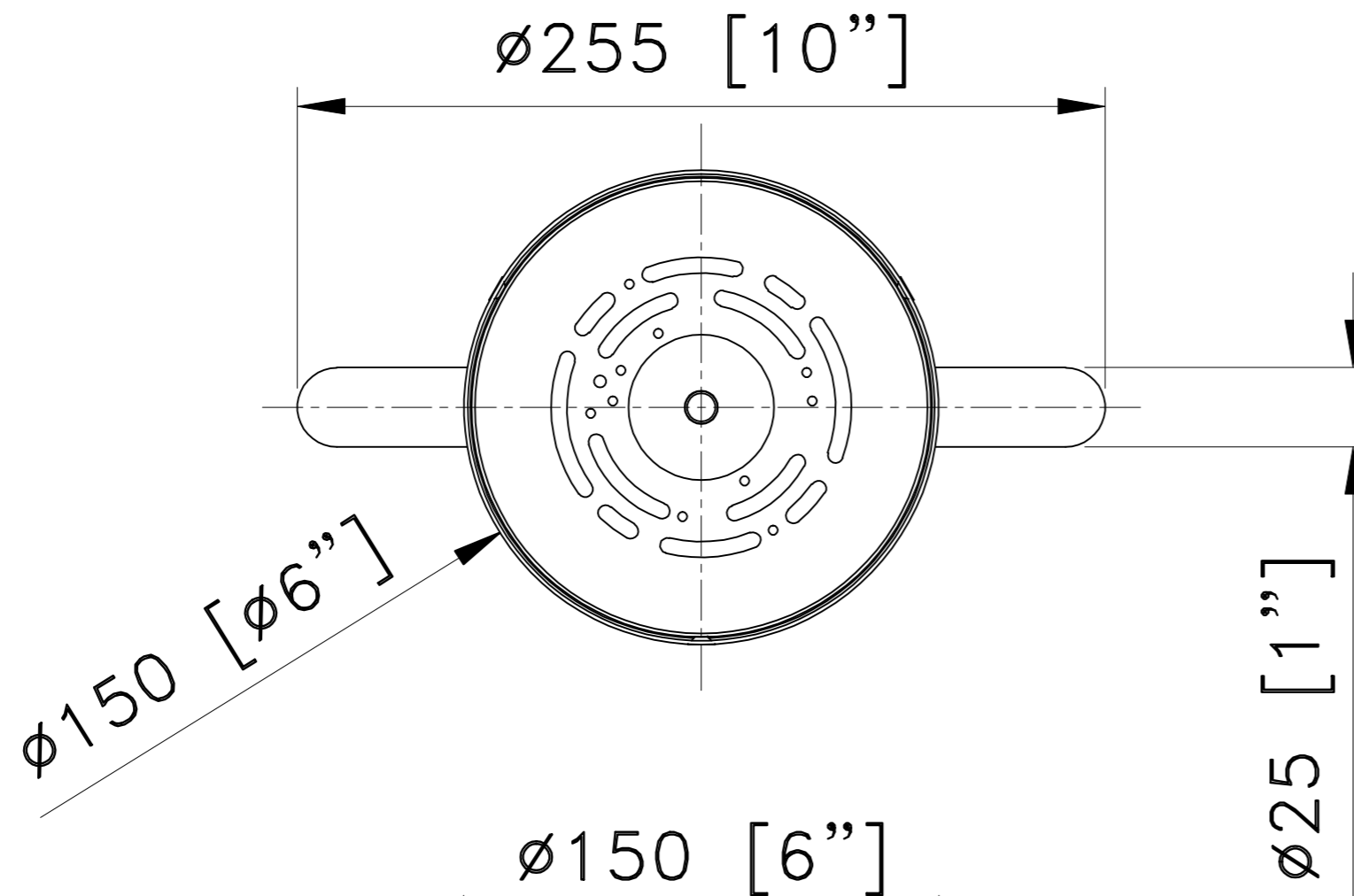
NOTES:

- 1)METAL: ALL EXPOSED METAL FINISH TO BE BLACK
- 2)SHADE:MILK WHITE SILICON GEL STRIP
- 3)LAMPING:INTEGRATED LED 5W 2700K.ELV DIMMING. W/DRIVER@CANOPY,120V.A.C.60Hz
- 4)HARD WIRED
- UL/CUL APPROVED
- ***APPROX MAX. WEIGHTS: 5LBS

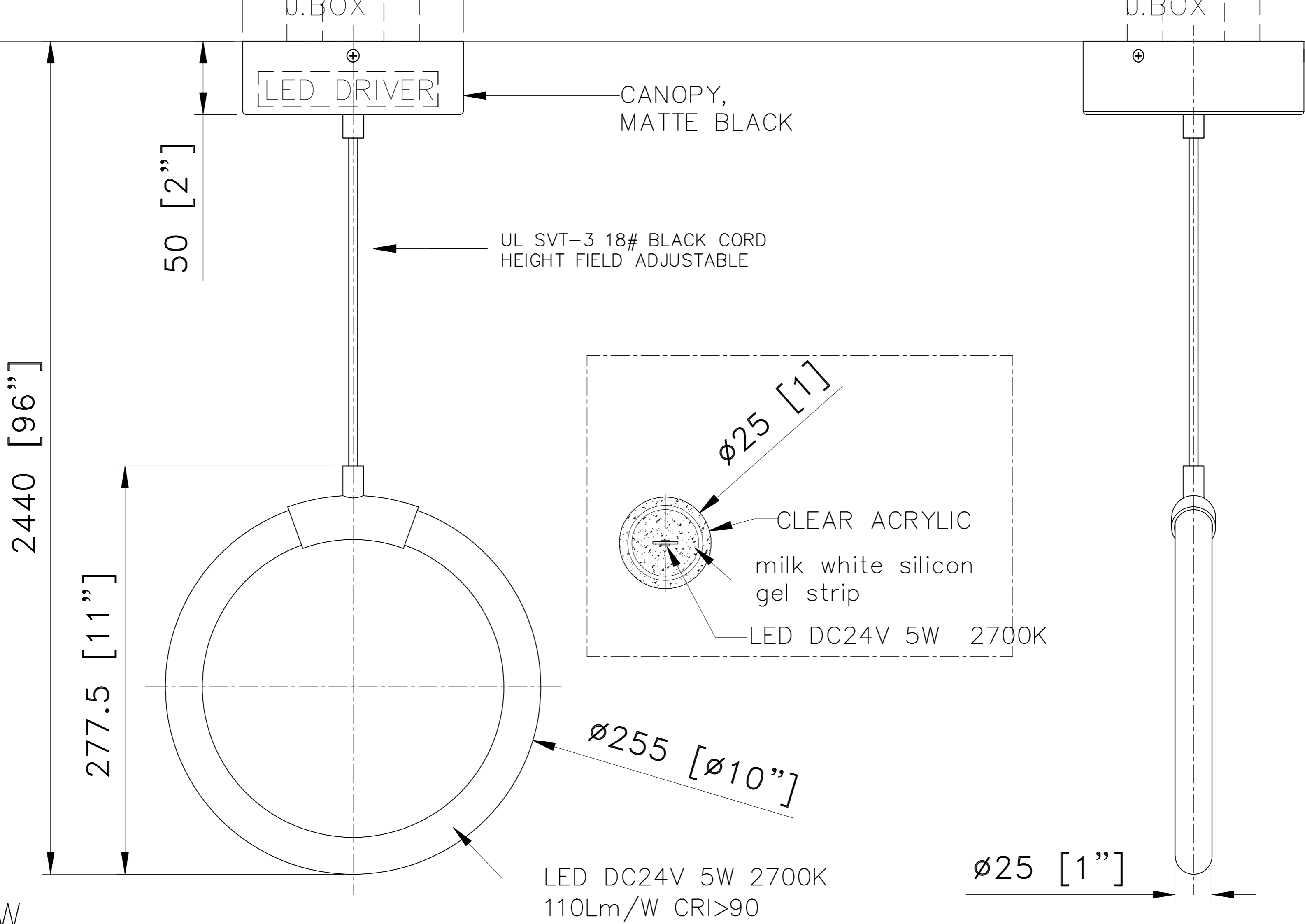


3D VIEW

TOP VIEW
SCALE: 1 : 6

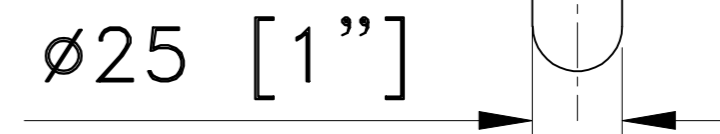


CLG.

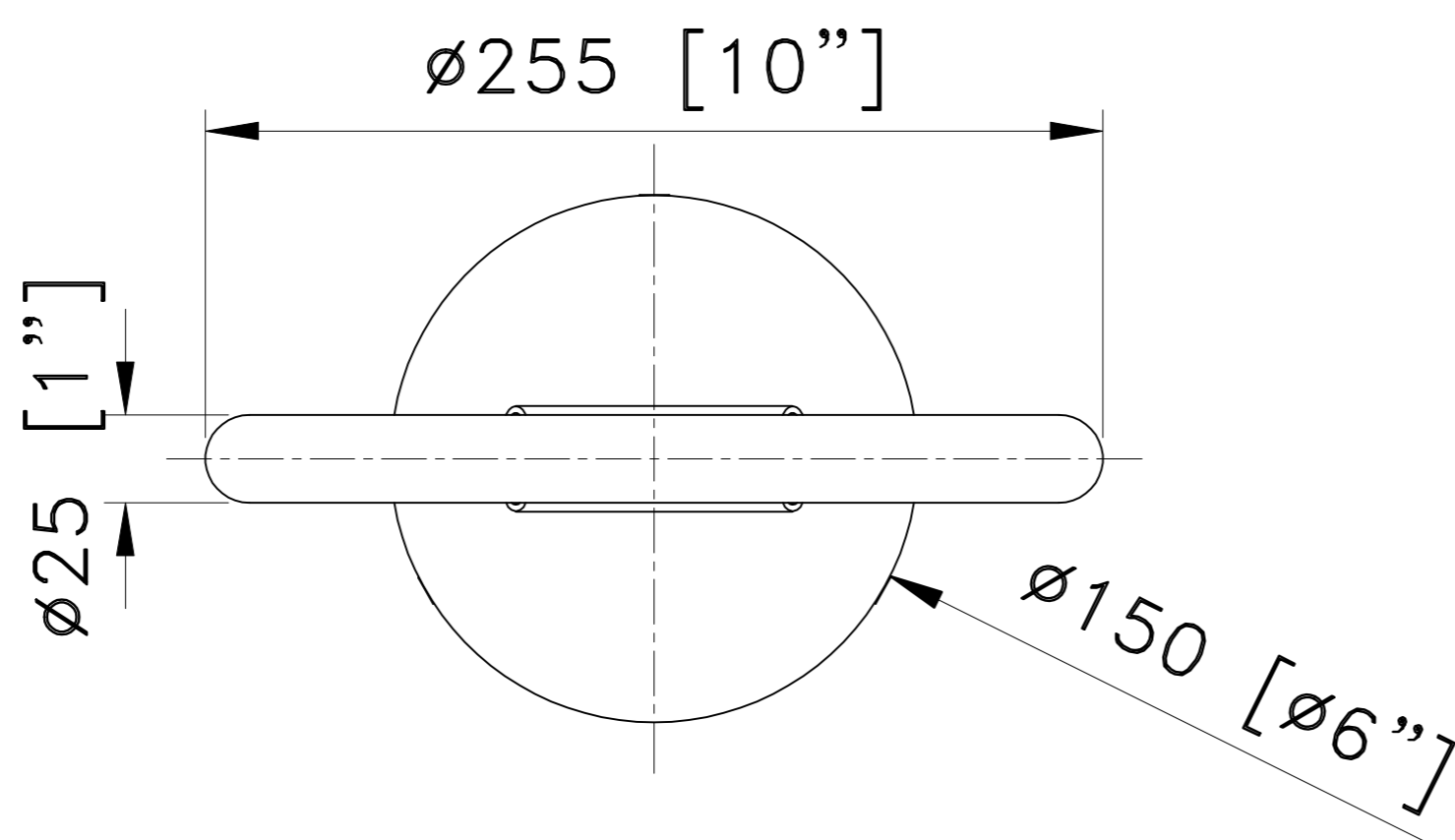


FRONT VIEW
SCALE: 1 : 6

SIDE VIEW
SCALE: 1 : 6



BOTTOM VIEW
SCALE: 1 : 6



CUSTOM SMALL HOOP PENDANT

ITEM NO:M1 QTY:8X

Approval: Date: _____

With comments: _____

Signed By: _____

Estimated Leads time are contingent upon receiving approved submittals and are subject to change

Starr Hill Taphouse

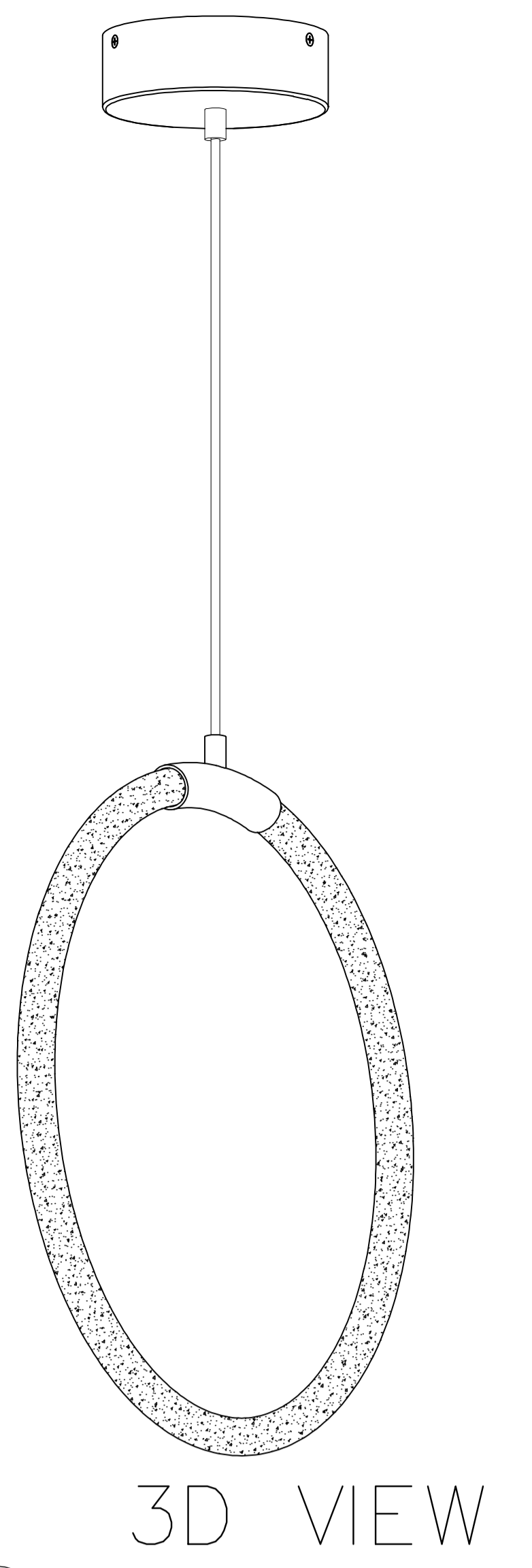
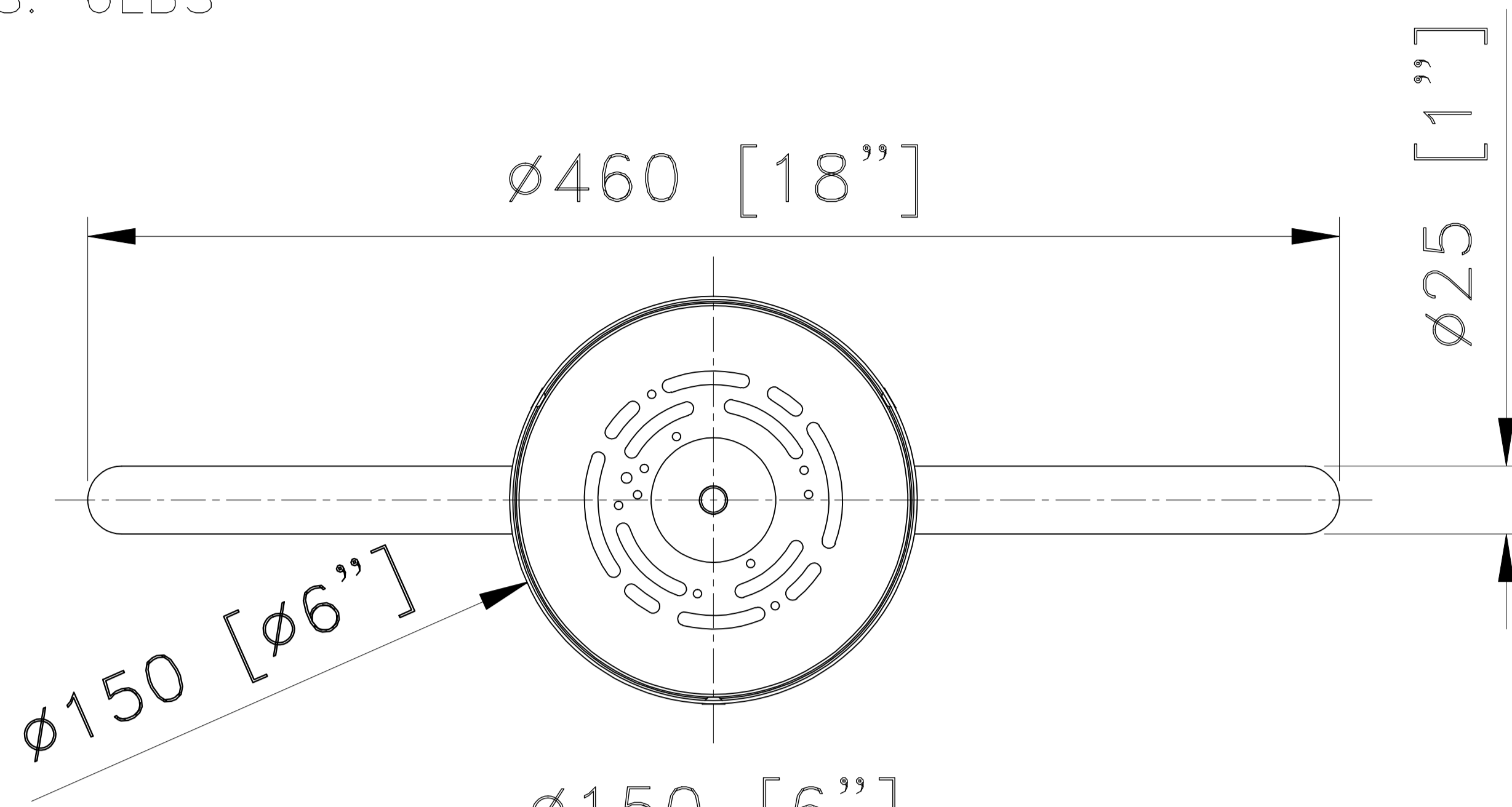
Les Industries CENTURY Industries Inc.
5645 Royalmount Ave.
Montreal, Quebec, Canada H4P 2P9
Tel :514-842-3933 Fax:514-842-7481
Toll free Canada only:1-877-842-3934
Date:2023/10/10 Rev: _____
(yyyy/mm/dd) (yyyy/mm/dd)

Dwg. #

P 1/1

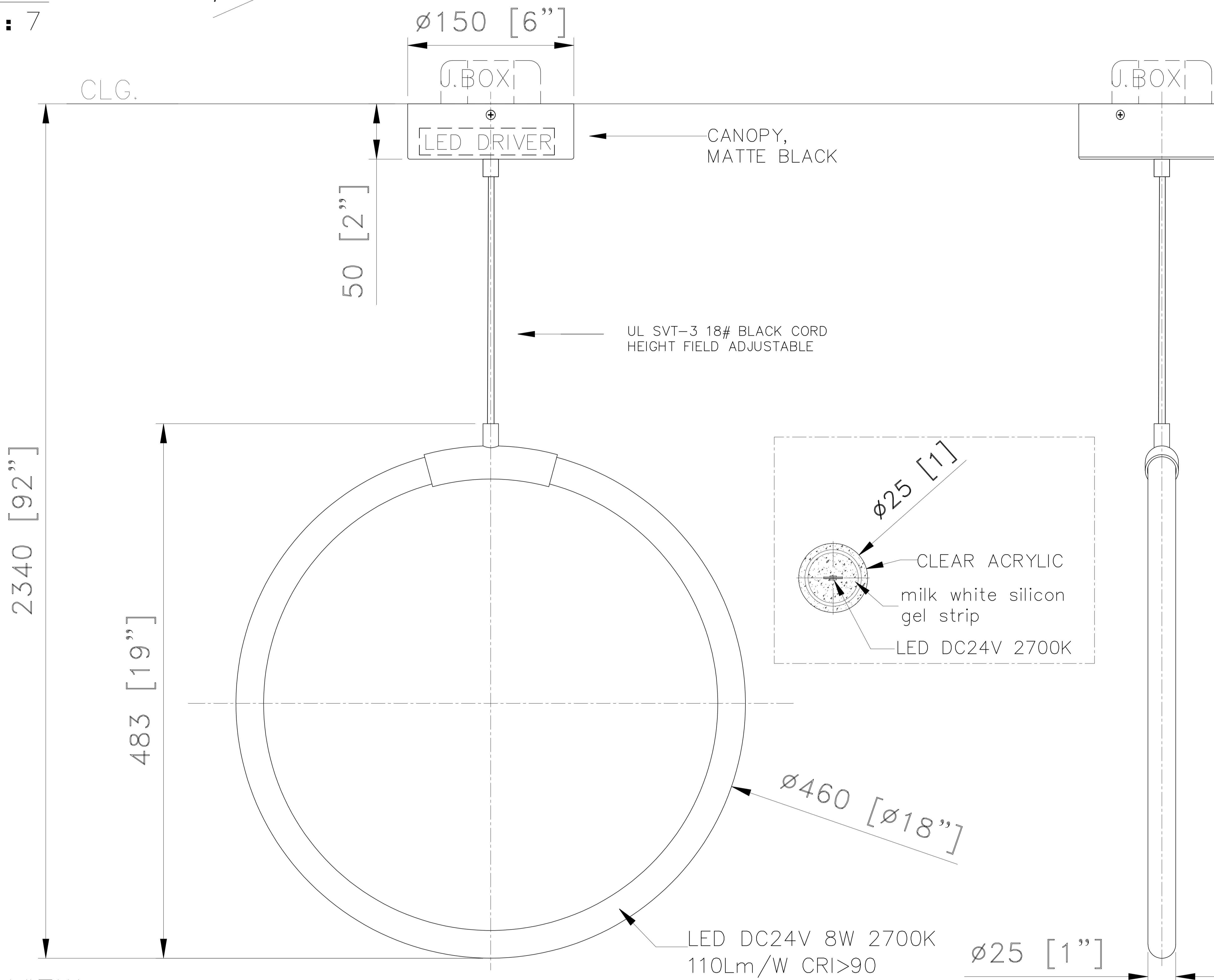
- NOTES:
 1)METAL: ALL EXPOSED METAL FINISH TO BE BLACK
 2)SHADE: MILK WHITE SILICON GEL STRIP
 3)LAMPING: INTEGRATED LED 8W 2700K.ELV DIMMING. W/DRIVER@CANOPY,120V.A.C.60Hz
 4)HARD WIRED
 UL/CUL APPROVED
 ***APPROX MAX. WEIGHTS: 6LBS

TOP VIEW
 SCALE: 1 : 7



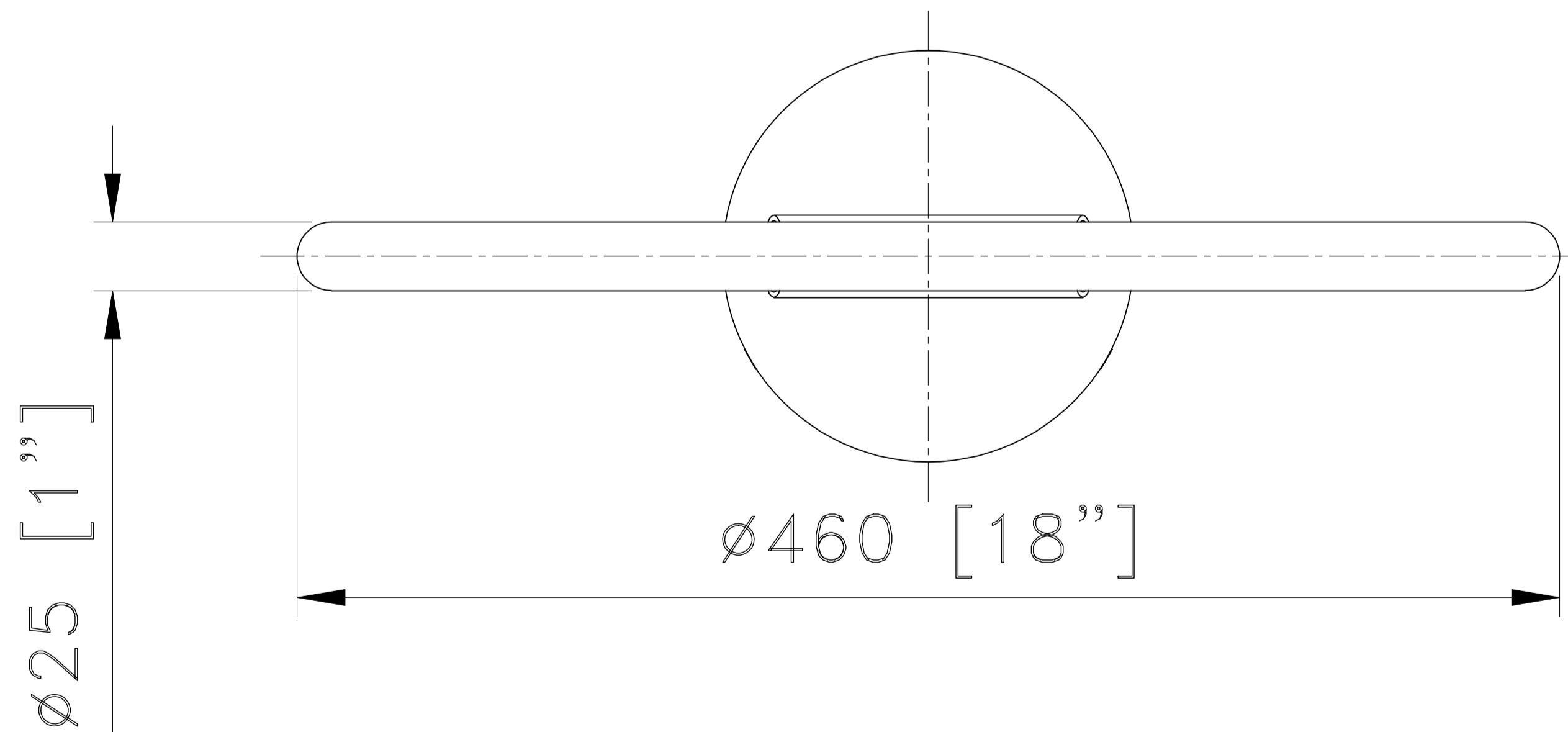
3D VIEW

FRONT VIEW
 SCALE: 1 : 7



SIDE VIEW
 SCALE: 1 : 7

BOTTOM VIEW
 SCALE: 1 : 7



CUSTOM MEDIUM HOOP PENDANT

ITEM NO:M2 QTY:TBD

Approval: Date: _____

With comments: _____

Signed By: _____

Estimated Leads time are contingent upon receiving approved submittals and are subject to change

Starr Hill Taphouse

Les Industries CENTURY Industries Inc.

5645 Royalmount Ave.

Montreal, Quebec, Canada H4P 2P9

Tel:514-842-3933 Fax:514-842-7481

Toll free Canada only:1-877-842-3934

Date:2023/10/10 Rev: _____

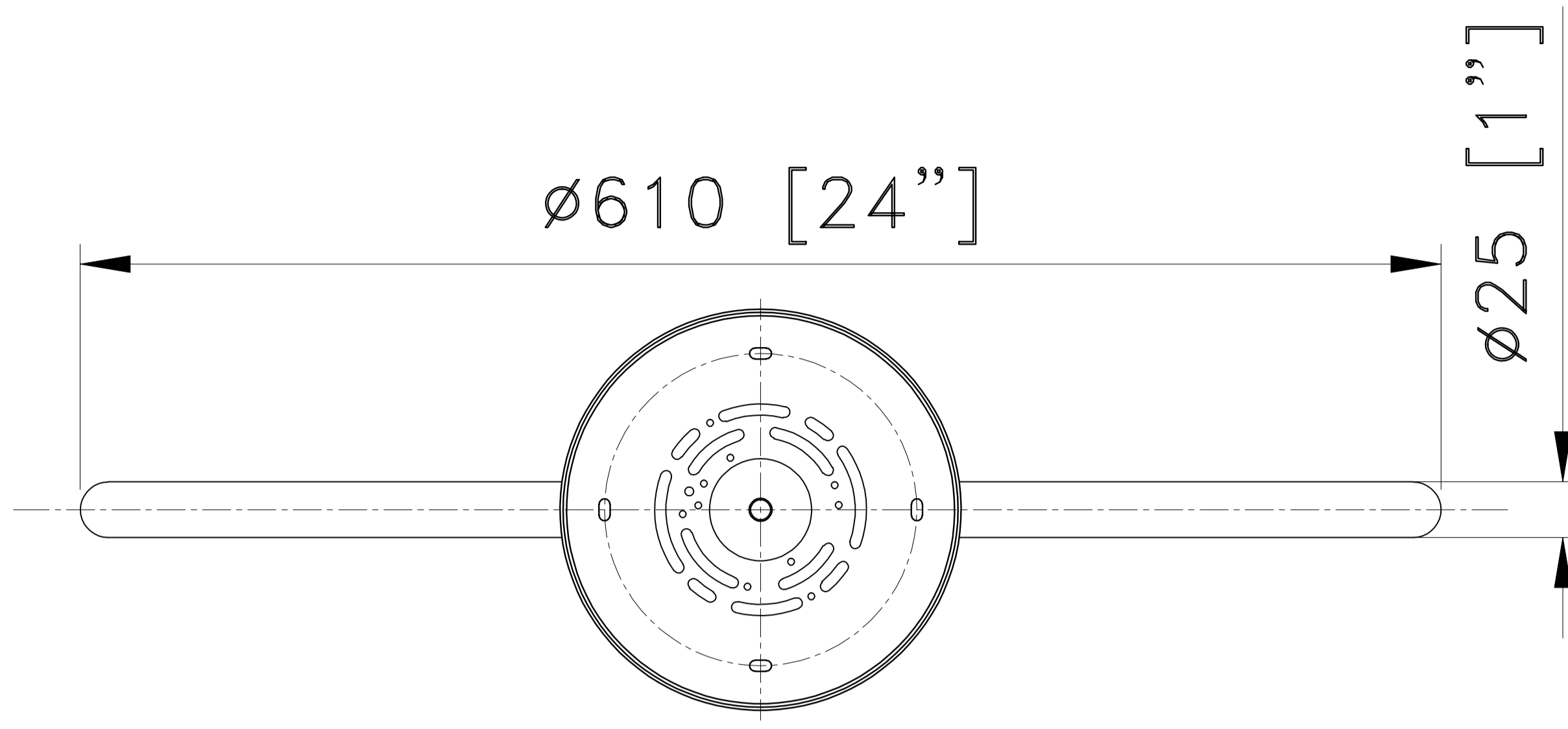
(yyyy/mm/dd)

(yyyy/mm/dd)

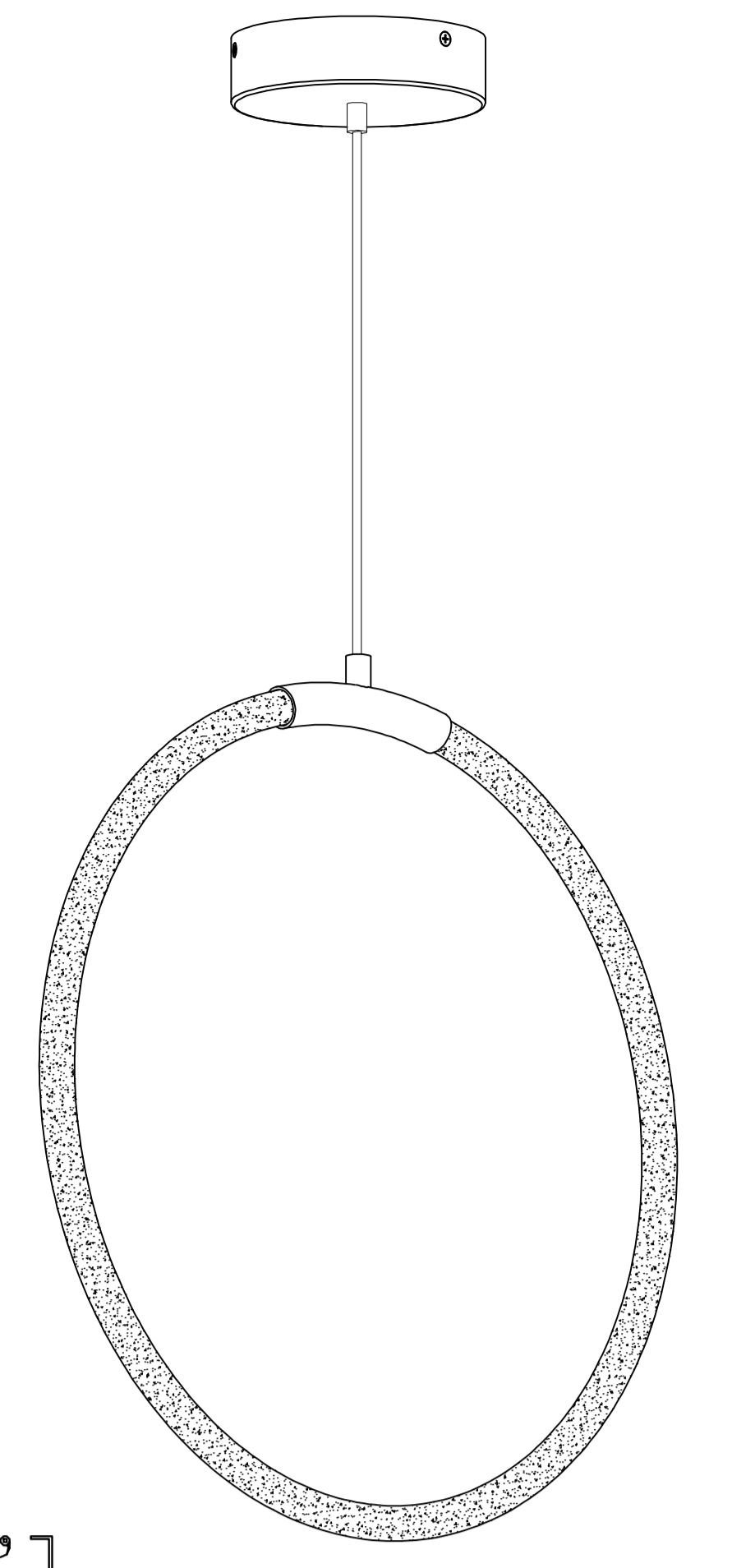
Dwg. #

P 1/1

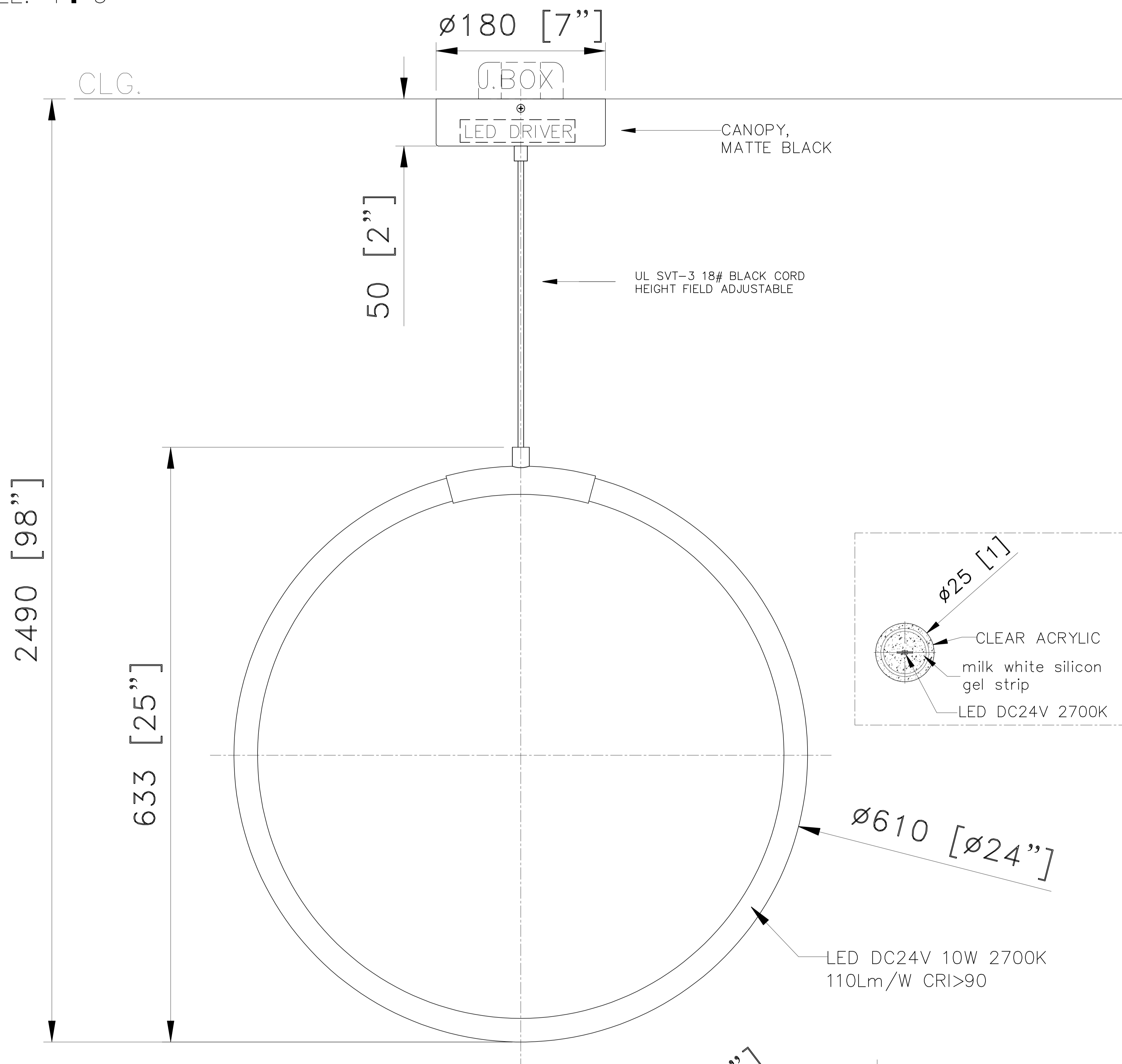
NOTES:
 1)METAL: ALL EXPOSED METAL FINISH TO BE BLACK
 2)SHADE: MILK WHITE SILICON GEL STRIP
 3)LAMPING: INTEGRATED LED 10W 2700K.ELV DIMMING. W/DRIVER@CANOPY,120V.A.C.60Hz
 4)HARD WIRED
 UL/CUL APPROVED
 ***APPROX MAX. WEIGHTS: 8LBS



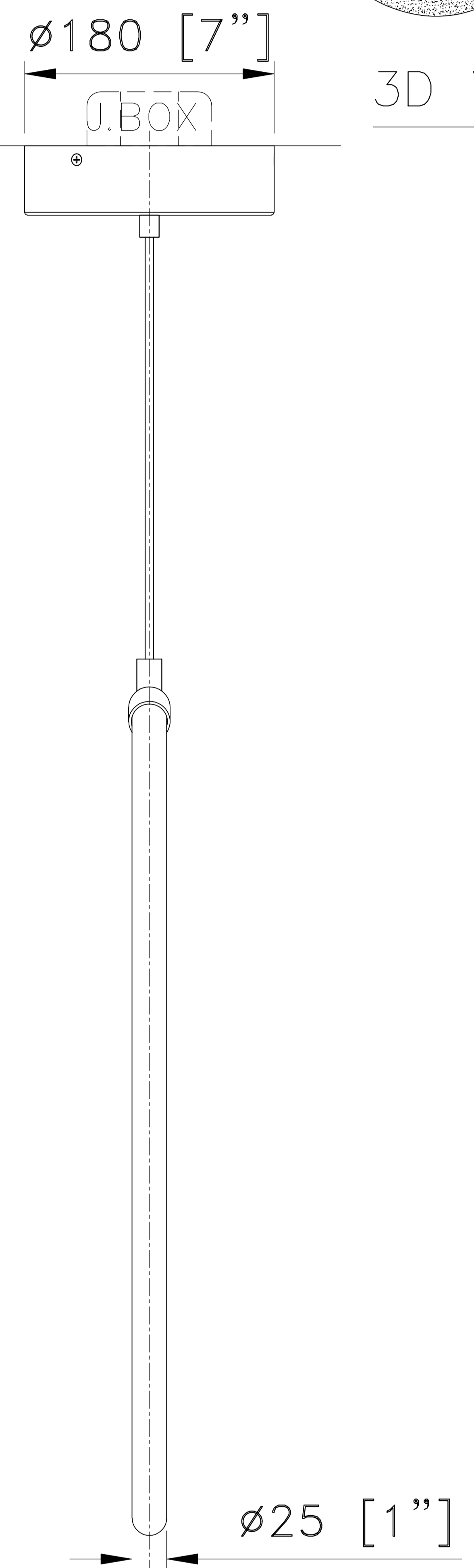
TOP VIEW
 SCALE: 1 : 9



3D VIEW

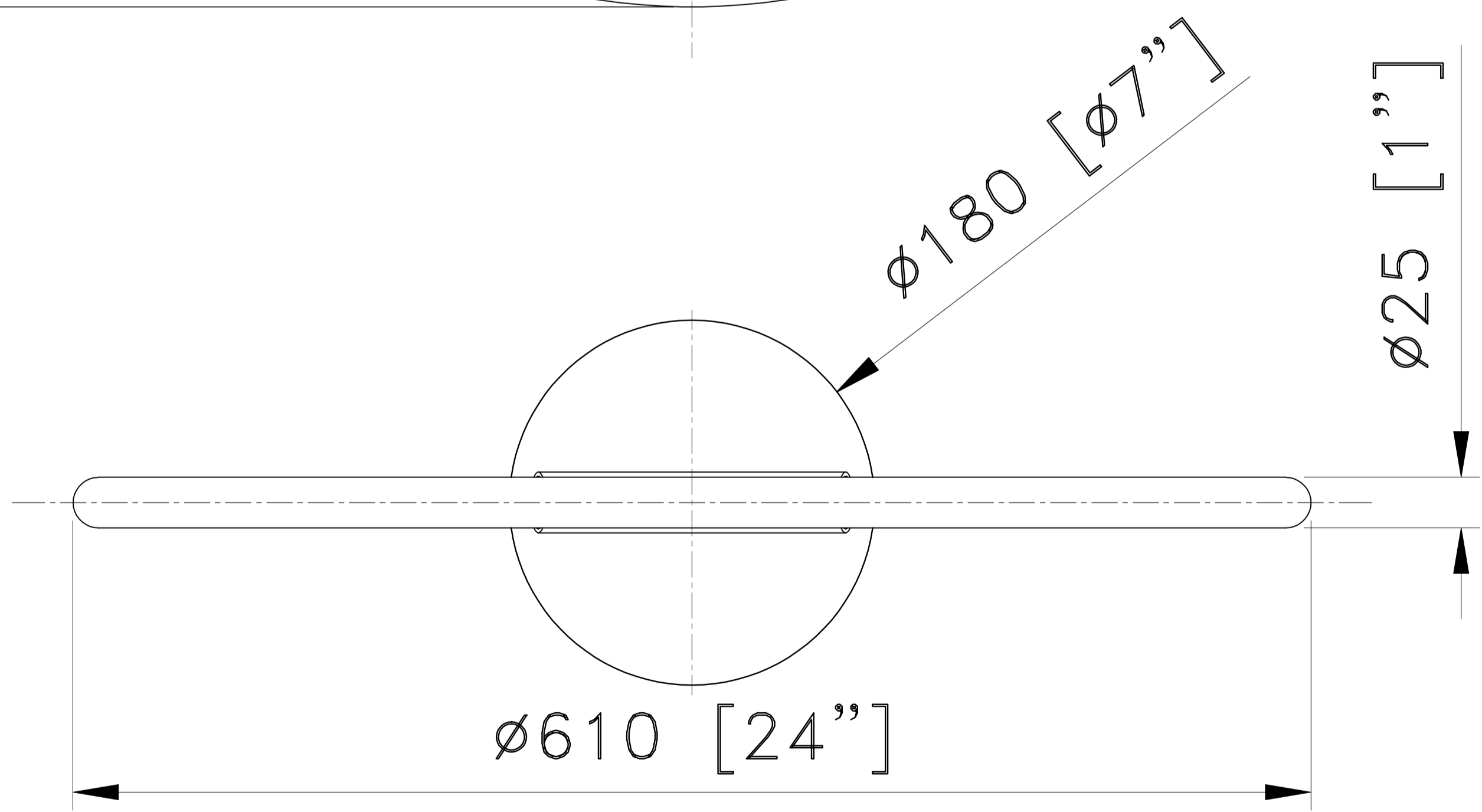


FRONT VIEW
 SCALE: 1 : 9



SIDE VIEW
 SCALE: 1 : 9

BOTTOM VIEW
 SCALE: 1 : 9



CUSTOM LARGE HOOP PENDANT

ITEM NO:M3 QTY:5X

Starr Hill Taphouse

Approval: Date: _____

With comments: _____

Signed By: _____

Estimated Leads time are contingent upon receiving approved submittals and are subject to change

Les Industries CENTURY Industries Inc.
 5645 Royalmount Ave.
 Montreal, Quebec, Canada H4P 2P9
 Tel:514-842-3933 Fax:514-842-7481
 Toll free Canada only:1-877-842-3934
 Date:2023/10/10 Rev: _____
 (yyyy/mm/dd) (yyyy/mm/dd)

Dwg. #

P 1/1