



CENTURY

LIGHTING | ART | DESIGN

joekrauslighting

301-537-5808

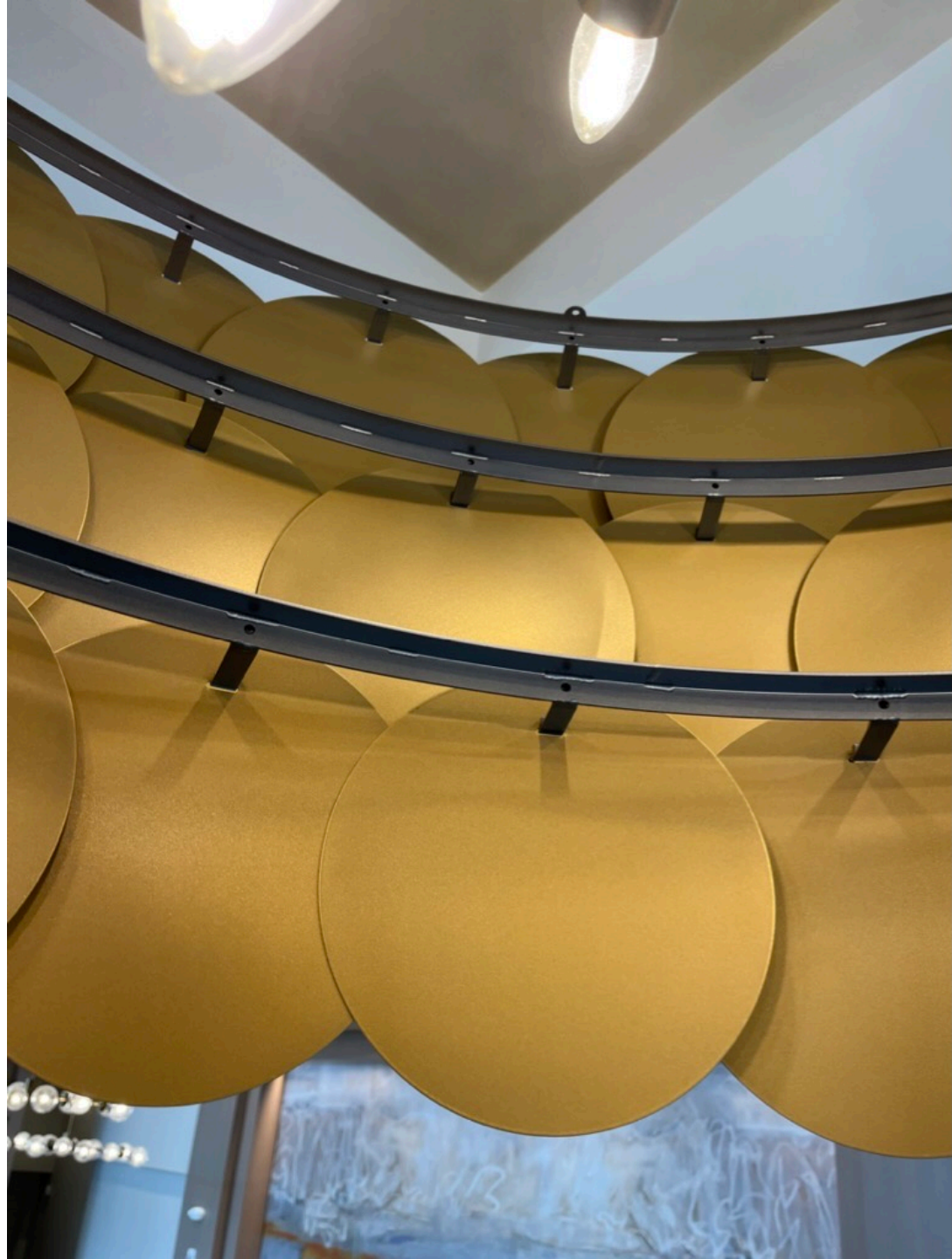
joe@joekrauslighting.com

www.joekrauslighting.com

Penrose Square









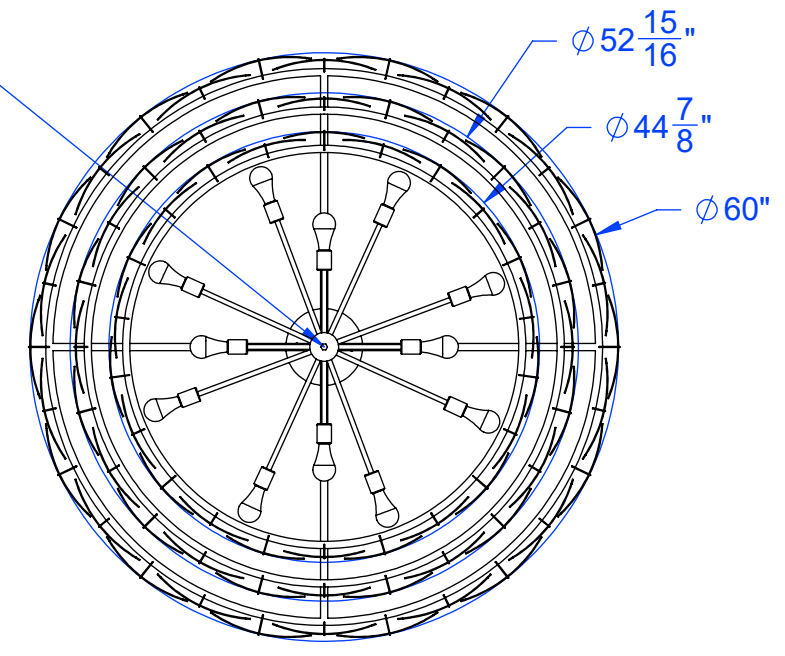
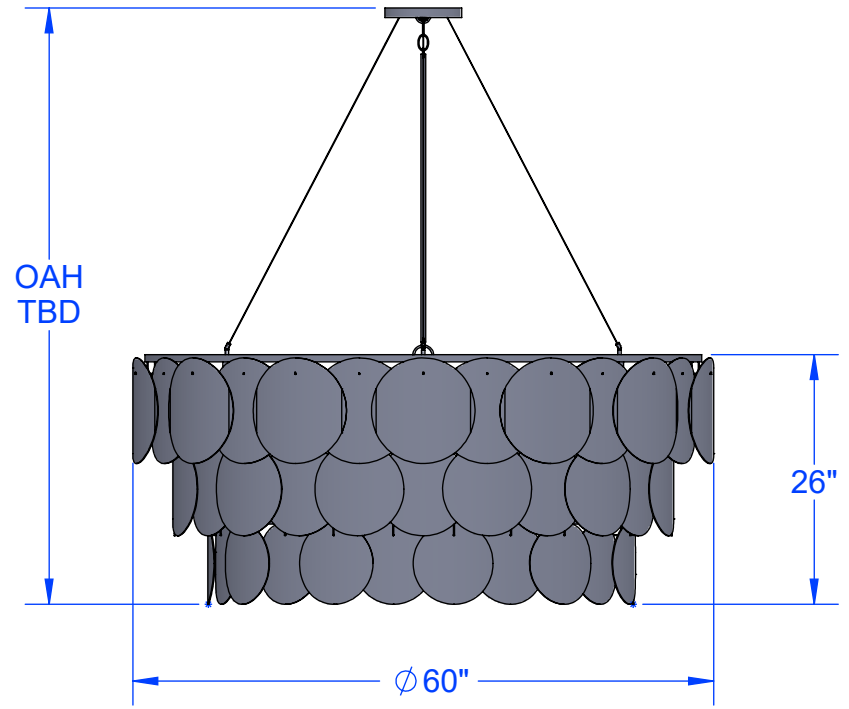
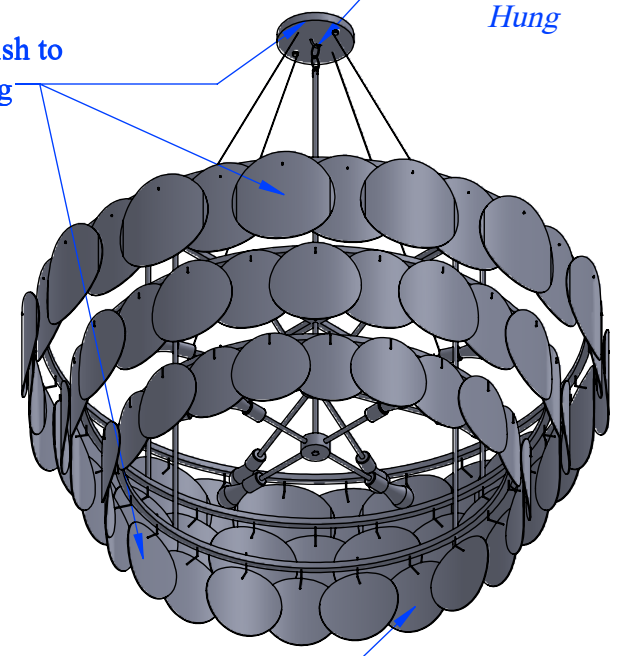


Metal Finish:
 Steel Discs - Leafing Color TBD
 Inner Face of Discs /
 Canopy / Frame -
 Powder Coat Finish to
 align with Leafing

Mounting-
 Ceiling Mount
 *Loop and Collar / Chain
 Hung

Lamping-
 (12) Medium E26 Base Sockets (120V)
 *Suitable for LED / Dimmable Bulbs
 *Fixtures are Line Voltage
 TRIAC Dimming
 -Wall Dimmer NOT included
 BULBS NOT INCLUDED

Shade Material -
 Steel Discs curved along
 single axis
 *Top Tier - Approx. 11" Dia.
 Mid Tier - Approx. 9.75" Dia.
 Bottom Tier - Approx. 8.5" Dia.



*****EL SOL CUSTOM LIGHTING RESERVES
 THE RIGHTS TO MAKE MINOR CHANGES
 TO THIS DRAWING AS REQUIRED BY
 PRODUCTION CONSTRAINTS.*****

CUSTOMER NAME: Maurice Electrical - Landover	
QUOTE# 5000-696	QUANTITY: 1
PO# S123462312	BASE DESIGN NAME OR NUMBER: P02
DESCRIPTION OF CUSTOM REQUIREMENTS:	
COSMETIC PARAMETERS	TECHNICAL PARAMETERS:
METAL FINISH: TBD	WATTAGE: 12 x 60W max
WOOD FINISH: N/A	CONNECTION TYPE: Hardwired
SHADE MATERIAL: Steel	THIS PRODUCT IS A cULus CERTIFIED FIXTURE
ADDITIONAL PIECES, PARTS, OR NOTES:	

SIGNATURES:	
ENGINEERING:	UNLESS OTHERWISE SPECIFIED: UNITS: INCHES (MILLIMETERS) TOLERANCES ARE: .xxx [xxx] = ±0.06" .xxxx [xxxx] = ±0.02" ANGLES = ±°
MANUFACTURING:	
ELECTRICAL:	
PRODUCTION:	

PROJECT: Penrose Square	
MODELED AND DETAILED BY: PT	DATE: 07-26-2023
APPROVED BY:	DATE:
SIZE: A	FILE NAME: PO2_Penrose Square_Maurice Electrical - Landover_Rep-Kraus_PO#S123462312_ID
SCALE: 1:20	DO NOT SCALE DRAWING
REV. B	SHEET 1 OF 1

DRAWING/PART NO.:			
REV. B	REV. BY:	DATE:	PT
DRAWING REVISION RECORD			
REV	DATE	DESCRIPTION	INITIAL RELEASE OF PRINT FOR DEVELOPMENT.
A	07-26-2023		