



CENTURY

LIGHTING | ART | DESIGN

joekrauslighting

301-537-5808

joe@joekrauslighting.com

www.joekrauslighting.com

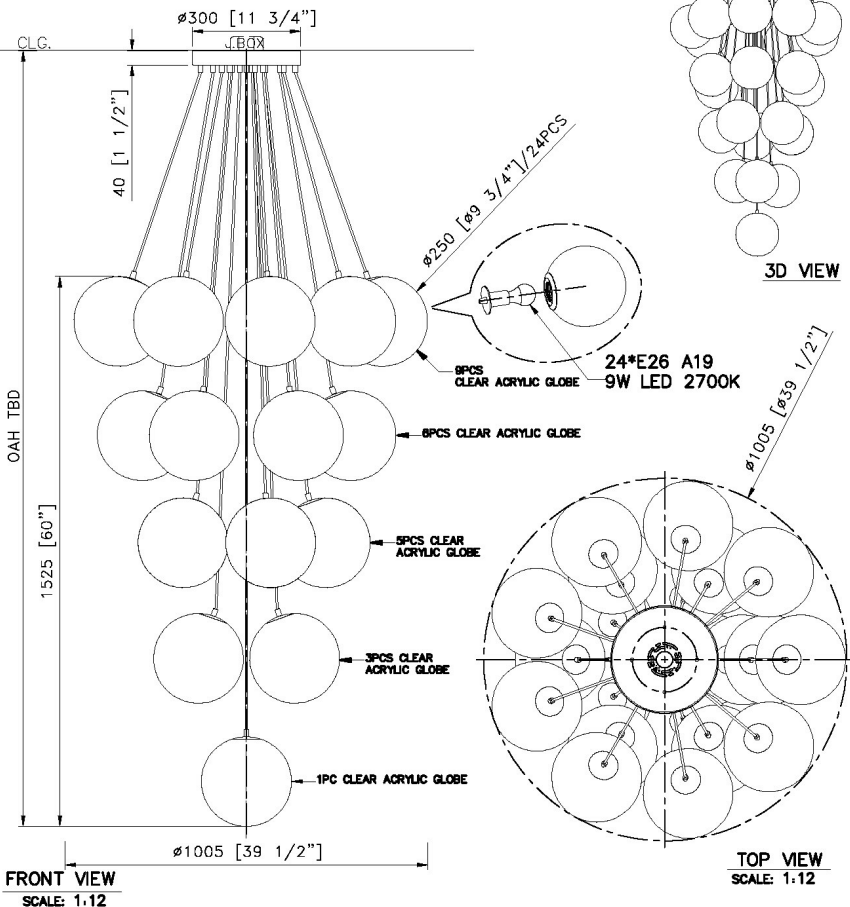






NOTES:

- 1)METAL: ALL EXPOSED METAL FINISH TO BE POWDERCOAT SATIN BLACK.
- 2)SHADE: 24PCS*CLEAR ACRYLIC GLOBES.
- 3)SOCKET: 24PCS *EDISON BASE MED.120V.A.C.50-60Hz. COMPATIBLE W/E26 A19 MAX.9W EA LED 2700K. DIMMABLE. BULB NOT INCLUDED
- 4)HARD WIRE
- UL/CUL APPROVED
- ***APPROX MAX. WEIGHTS: 45LBS



FRONT VIEW
SCALE: 1:12

TOP VIEW
SCALE: 1:12

CUSTOM CHANDELIER

ITEM NO: D4 QTY: 3X

Approval: Date: _____

With comments: _____

Signed By: _____

Estimated Leads time are contingent upon receiving approved submittals and are subject to change

Table 51

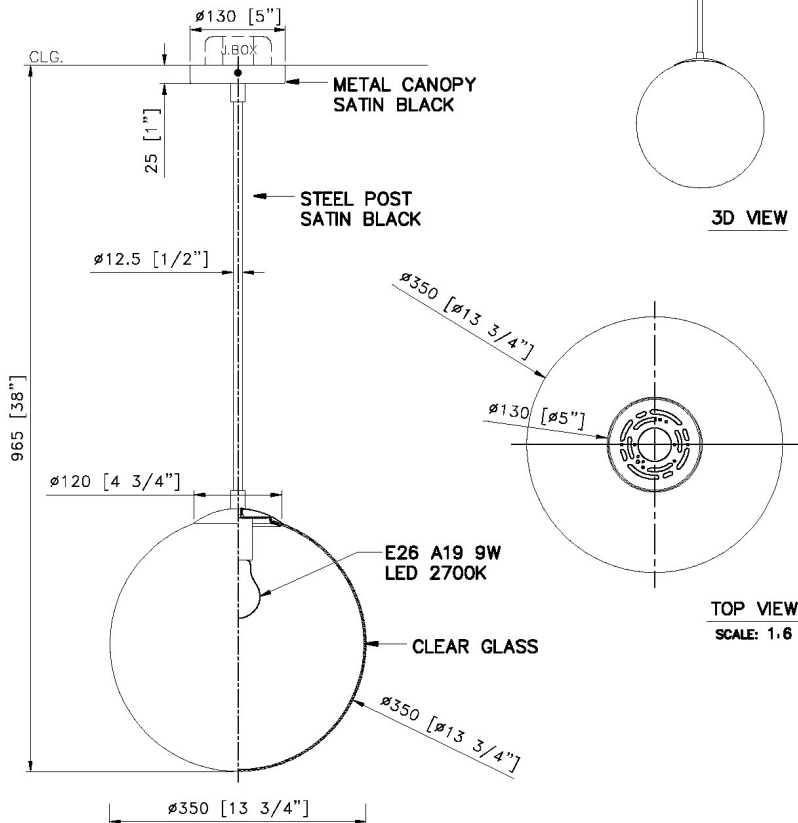
Decorie Blvd.

Les Industries CENTURY Industries Inc.
5645 Royalmount Ave. Dwg.#
Montreal, Quebec, Canada H4P 2P9
Tel: 514-842-3933 Fax: 514-842-7481
Toll free Canada only: 1-877-842-3934
Date: 2022/08/22 Rev.

(yyy/mm/dd) (yyy/mm/dd)



- NOTES:
 1)METAL: ALL EXPOSED METAL FINISH TO BE POWDERCOAT SATIN BLACK
 2)SHADE: 1" CLEAR GLASS GLOBE
 3)SOCKET: 1x EDISON BASE MED. 120V. A.C. 50-60HZ. COMPATIBLE W/E26 A19 MAX. 9W
 LED 2700K. DIMMABLE. BULB NOT INCLUDED
 4)HARD WIRED
 UL/CUL APPROVED
 ***APPROX MAX. WEIGHTS: 7LBS



FRONT VIEW

SCALE: 1:6

CUSTOM PENDANT

ITEM NO: D5 QTY: 3X

Approval: Date: _____

With comments: _____

Signed By: _____

Estimated Leads time are contingent upon receiving approved submittals and are subject to change

Table 51

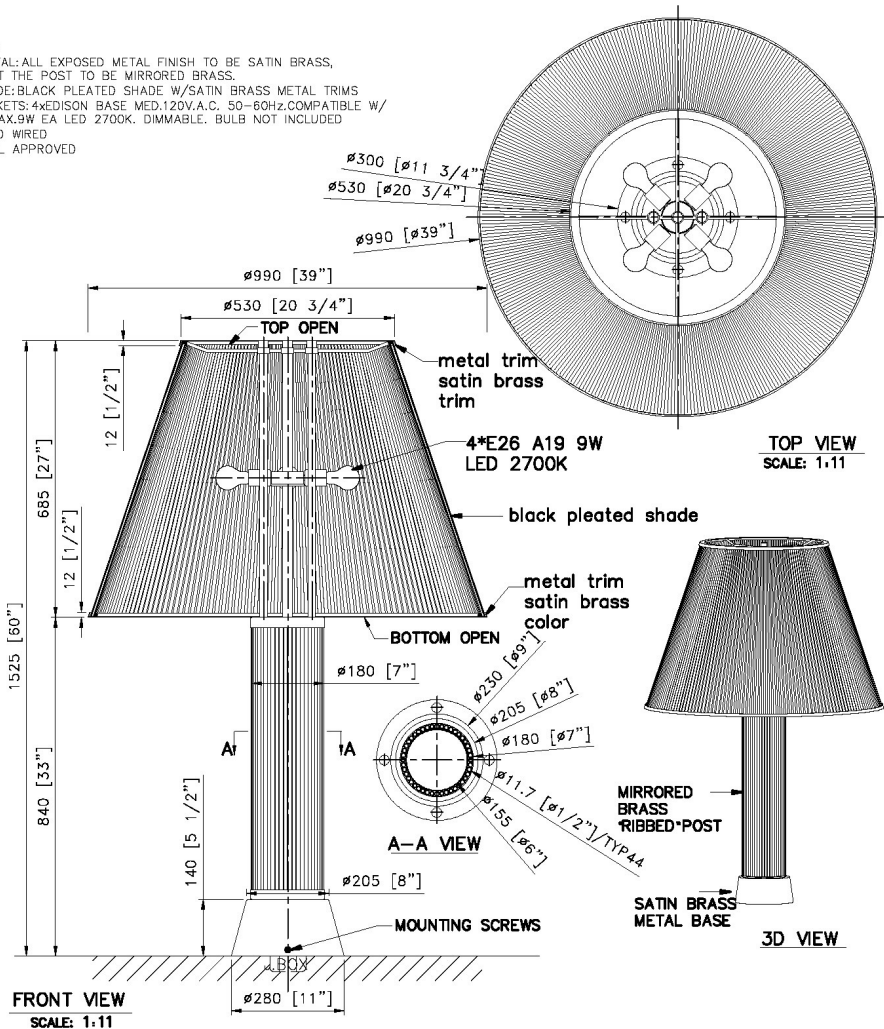
Decarie Blvd.

Les Industries CENTURY Industries Inc.
 5645 Royalmount Ave. Dwg.#
 Montreal, Quebec, Canada H4P 2P9
 Tel: 514-842-3933 Fax: 514-842-7481
 Toll free Canada only: 1-877-842-3934
 Date: 2022/08/22 Rev: _____
 (yyyy/mm/dd) (yyyy/mm/dd)



NOTES:

- 1) METAL: ALL EXPOSED METAL FINISH TO BE SATIN BRASS, EXCEPT THE POST TO BE MIRRORED BRASS.
 - 2) SHADE: BLACK PLEATED SHADE W/ SATIN BRASS METAL TRIMS
 - 3) SOCKETS: 4x EDISON BASE MED. 120V. A.C. 50-60HZ. COMPATIBLE W/ E26 MAX. 9W EA LED 2700K. DIMMABLE. BULB NOT INCLUDED
 - 4) HARD WIRED
- UL/CUL APPROVED



CUSTOM LARGE FLOOR LAMP @ ENTRANCE

ITEM NO: D1 QTY: 2X

Approval: Date: _____

With comments: _____

Signed By: _____

Estimated Leads time are contingent upon receiving approved submittals and are subject to change

Table 51

Decarie Blvd.

Les Industries CENTURY Industries Inc.
5645 Royalmount Ave. Dwg. #
Montreal, Quebec, Canada H4P 2P9
Tel: 514-842-3933 Fax: 514-842-7481
Toll free Canada only: 1-877-842-3934
Date: 2022/08/22 Rev.

(yyyy/mm/dd)

(yyyy/mm/dd)