



UltraLights

Custom



MADE IN AMERICA

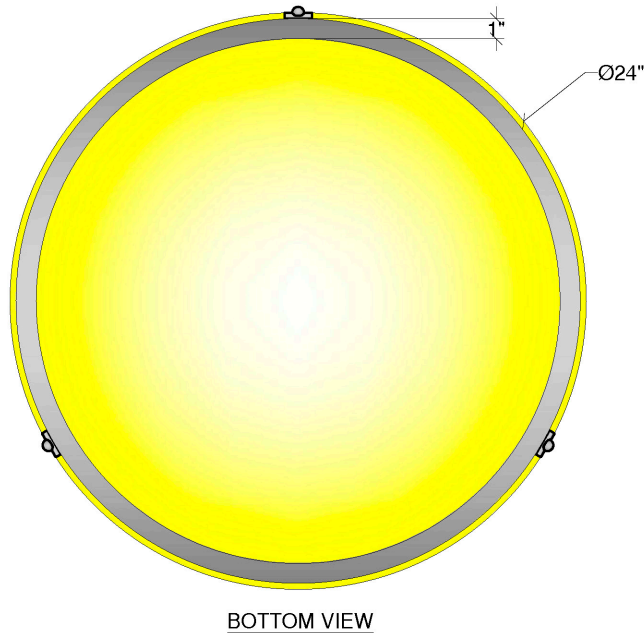
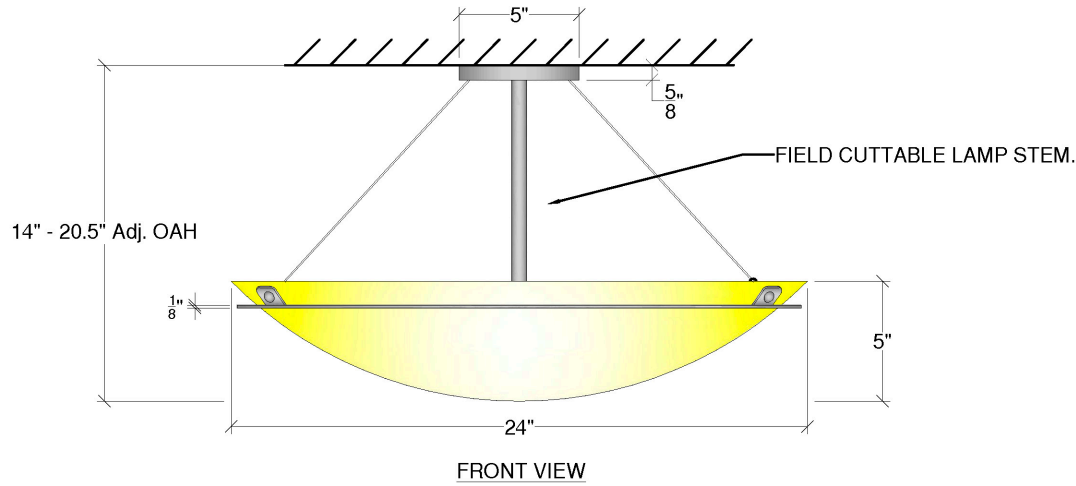
joekrauslighting 

301-537-5808

joe@joekrauslighting.com

www.joekrauslighting.com





Specifications

Description:
Modified 9925-24 Compass cable hung pendant with $\frac{1}{8}$ " thick metal ring.

Dimensions:
Approx.
24"dia. x 5"d body x 14"- 20.5" OAH with field cuttable lamp stem.

Lamping:
4 x E26 for LED retrofit 20w max, WRL, 120 volt lamping for dry locations. Lamps not included.

Diffuser:
Opal Acrylic Diffuser

Finish:
Standard Powder coat finish

Note

UltraLights reserves the right to change specifications as necessary at any time without prior notice.

Copyright © 2023 UltraLights Architectural Lighting, Inc.



Approved by: _____ Date: _____

project name / location:

Silver Diner

quote #: 25-051

date: 3/26/2025 2:31 PM

specifier name / location:

Joe Kraus Lighting

scale: 1-1/2" = 1'-0"

rev: -

drawn by: RTS

All designs presented here are exclusive property of Ultralights Architectural Lighting, Inc. and protected by U.S. and international copyright laws. You may not copy, reproduce or manufacture these copyrighted designs without permission from Ultralights Architectural Lighting, Inc.