



CENTURY

LIGHTING | ART | DESIGN

joekrauslighting

301-537-5808

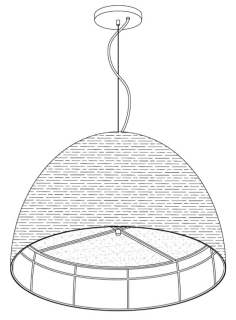
joe@joekrauslighting.com

www.joekrauslighting.com

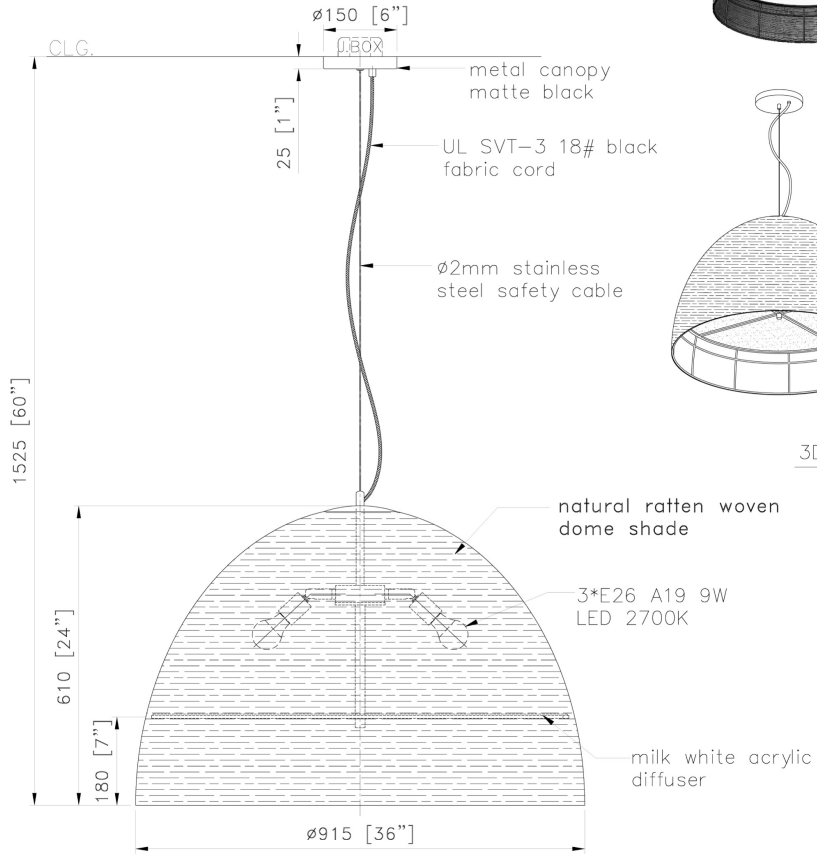


NOTES:

- 1) METAL: ALL EXPOSED METAL FINISH TO BE MATTE BLACK
 - 2) SHADE: NATURAL RATTAN WOVEN DOME SHADE
 - 3) DIFFUSER: FROSTED WHITE ACRYLIC.
 - 4) SOCKETS: 3x EDISON BASE MED. 120V.A.C. 50-60Hz. COMPATIBLE W/E26 A19 MAX. 9W EA LED 2700K. DIMMABLE. BULBS NOT INCLUDED
 - 5) HAR WIRED
- UL/CUL APPROVED
 ***APPROX MAX. WEIGHTS: 15LBS



3D VIEW



FRONT VIEW

SCALE: 1:10

Custom Large Woven Pendant@East Lobby Coffee Area

7500 Sunset

ITEM NO: FX-3660 QTY: 1PC

Approval: Date: _____

With comments: _____

Signed By: _____

Estimated Leads time are contingent upon receiving approved submittals and are subject to change

Les Industries CENTURY Industries Inc.

5645 Royalmount Ave.

Dwg. #

Montreal, Quebec, Canada H4P 2P9

Tel: 514-842-3933 Fax: 514-842-7481

Toll free Canada only: 1-877-842-3934

Date: 2021/12/03 Rev: _____

(yyyy/mm/dd)

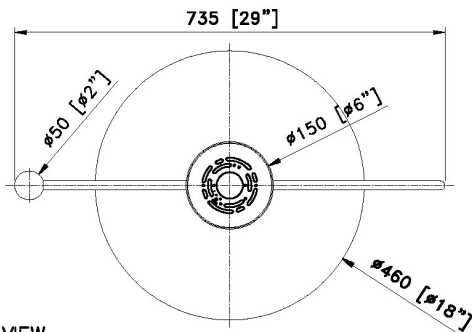
(yyyy/mm/dd)





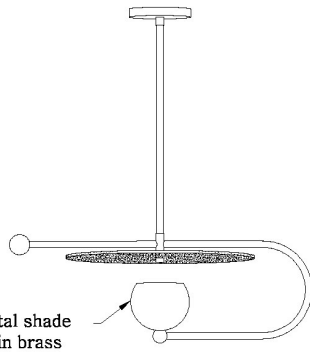
NOTES:

- 1) METAL: ALL EXPOSED METAL FINISH TO BE POWDER COATED "MATTE BLACK" EXCEPT METAL ACCENTS (METAL BALL + METAL SHADE) TO BE SATIN BRASS PLATED
- 2) LAMPING: 1*G9 LED MAX. 6W 3000K DIMMABLE. 120V. AC. 50-60Hz BULBS NOT INCLUDED
- 3) HARD WIRED
- UL/CUL APPROVED

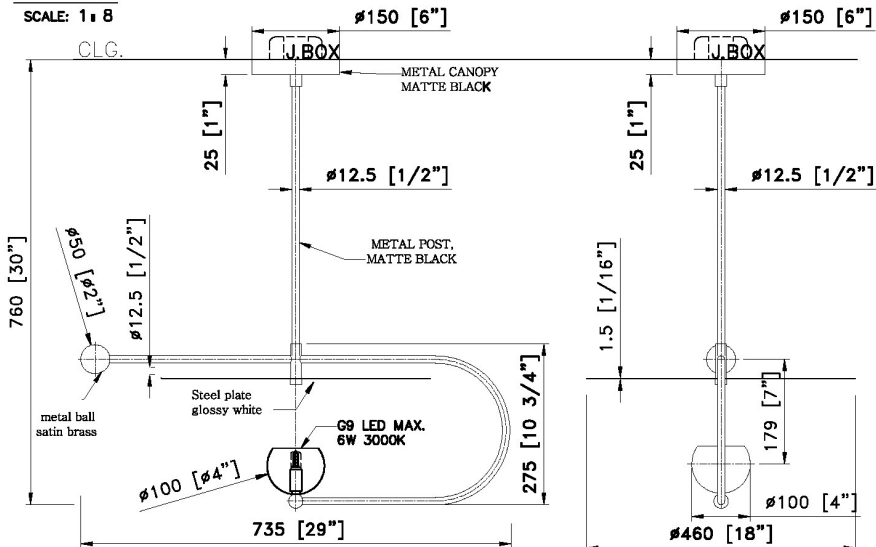


TOP VIEW

SCALE: 1 = 8



3D VIEW



FRONT VIEW

SCALE: 1 = 8

SIDE VIEW

SCALE: 1 = 8

CUSTOM PENDANT LIGHT

ITEM NO: LT-14 QTY: 2 PCS

Approval: Date: _____

With comments: _____

Signed By: _____

Estimated Leads time are contingent upon receiving approved submittals and are subject to change

Les Industries CENTURY Industries Inc.
 5645 Royalmount Ave.
 Montreal, Quebec, Canada H4P 2P9
 Tel: 514-842-3933 Fax: 514-842-7481
 Toll free Canada only: 1-877-842-3934
 Date: 2021/07/20 Rev: 2021/07/24
 (yyyy/mm/dd) (yyyy/mm/dd)

Dwg. #

