



CENTURY

LIGHTING | ART | DESIGN

joekrauslighting

301-537-5808

joe@joekrauslighting.com

www.joekrauslighting.com

Parker's Kitchens



RESTROOMS

ark
nti

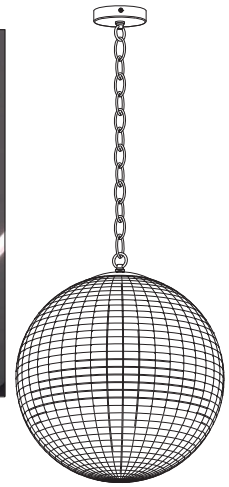
EXIT

NOTES:

- 1)METAL: ALL EXPOSED METAL FINISH TO MATTE BLACK COLOR
- 2)SHADE: SILVER CAPIZ LANTERN.
- 3)SOCKET: 1xEDISON BASE MED.120V A.C. 60Hz,COMPATIBLE W/E26 A21 MAX.15W LED 2700K.DIMAMBLE. BULB NOT INCLUDED
- 4)HARD WIRED.SUITABLE FOR INDOOR(DRY) LOCATION USE UL/CUL APPROVED
- ***APPROX MAX. WEIGHTS: 10LBS



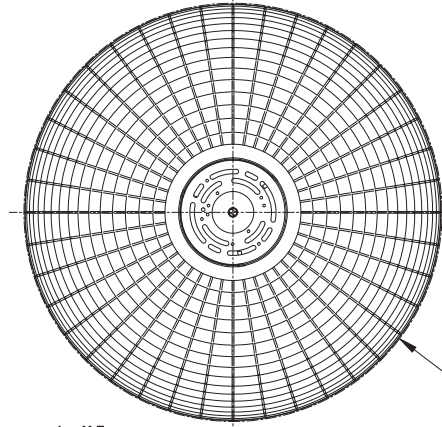
inspiration image



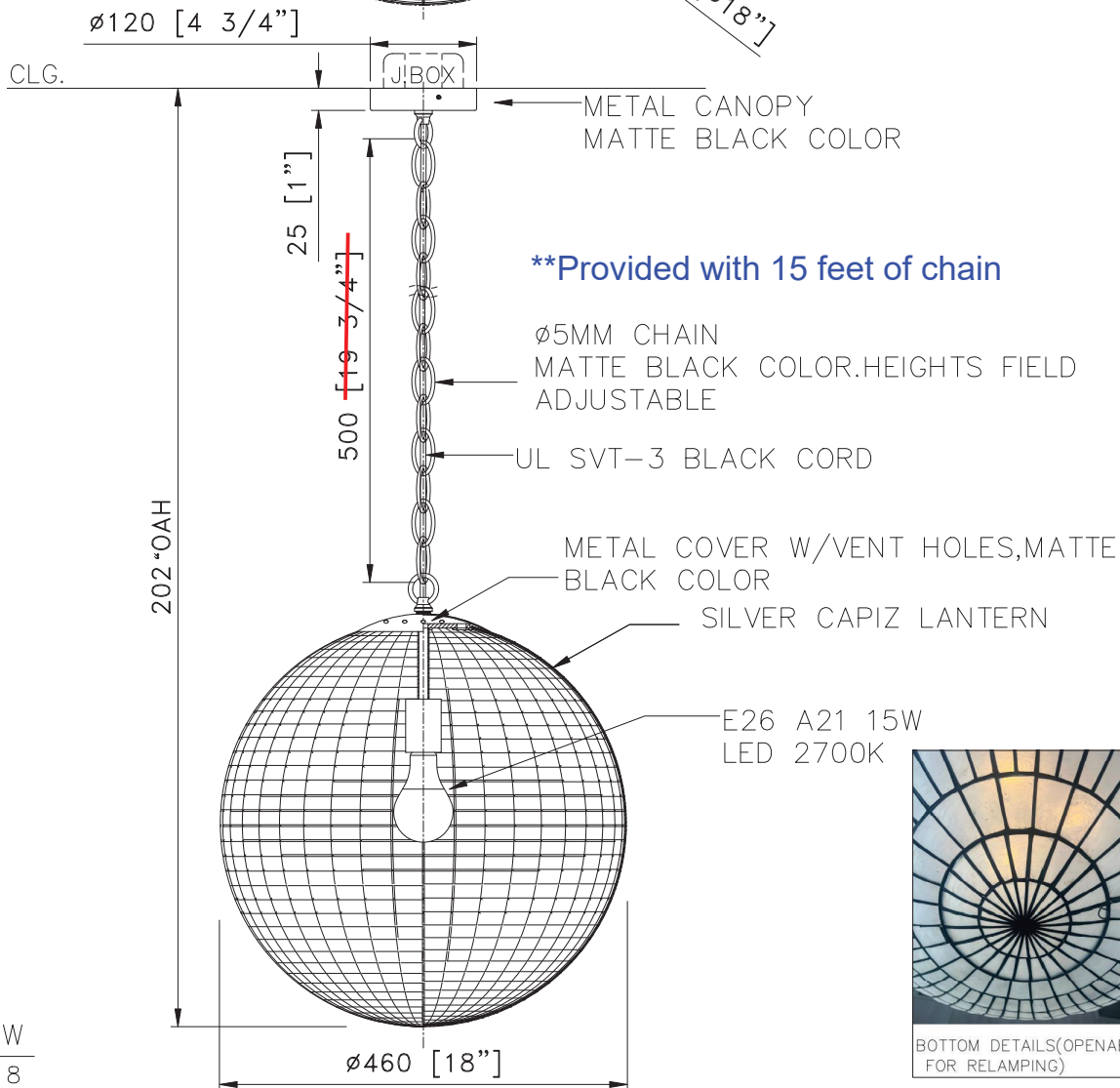
3D VIEW

TOP VIEW

SCALE: 1 : 8



ø460 [ø18"]



BOTTOM DETAILS(OPENABLE FOR RELAMPING)

FRONT VIEW

SCALE: 1 : 8

SMALL CAPIZ SHELL DECORATIVE PENDANT

ITEM NO: CEN-CP-0886 QTY: 25X

Parkers Kitchen

Approval: Date: 9-3-24
With comments: _____

Signed By: Ron Delinski S.W.L.

Estimated Leads time are contingent upon receiving approved submittals and are subject to change

Les Industries CENTURY Industries Inc.
5645 Royalmount Ave.
Montreal, Quebec, Canada H4P 2P9
Tel: 514-842-3933 Fax: 514-842-7481
Toll free Canada only: 1-877-842-3934
Date: 2024/03/26 Rev: 2024/08/29
(yyyy/mm/dd) (yyyy/mm/dd)

Dwg. #

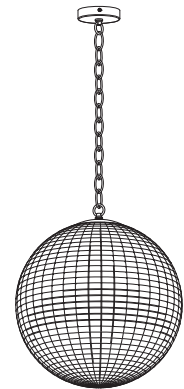


NOTES:

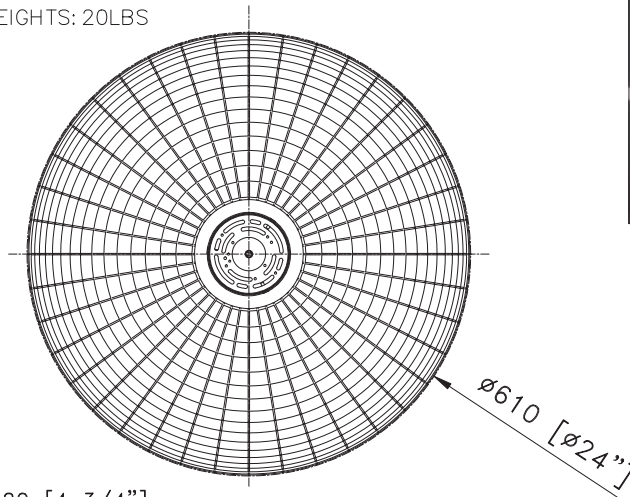
- 1)METAL: ALL EXPOSED METAL FINISH TO MATTE BLACK COLOR
 - 2)SHADE: SILIVER CAPIZ LANTERN.
 - 3)SOCKET: 1xEDISON BASE MED.120V A.C. 60Hz,COMPATIBLE W/E26 A21 MAX.15W LED 2700K.DIMAMBLE. BULB NOT INCLUDED
 - 4)HARD WIRED.SUITABLE FOR INDOOR(DRY) LOCATION USE UL/CUL APPROVED
- ***APPROX MAX. WEIGHTS: 20LBS



inspiration image

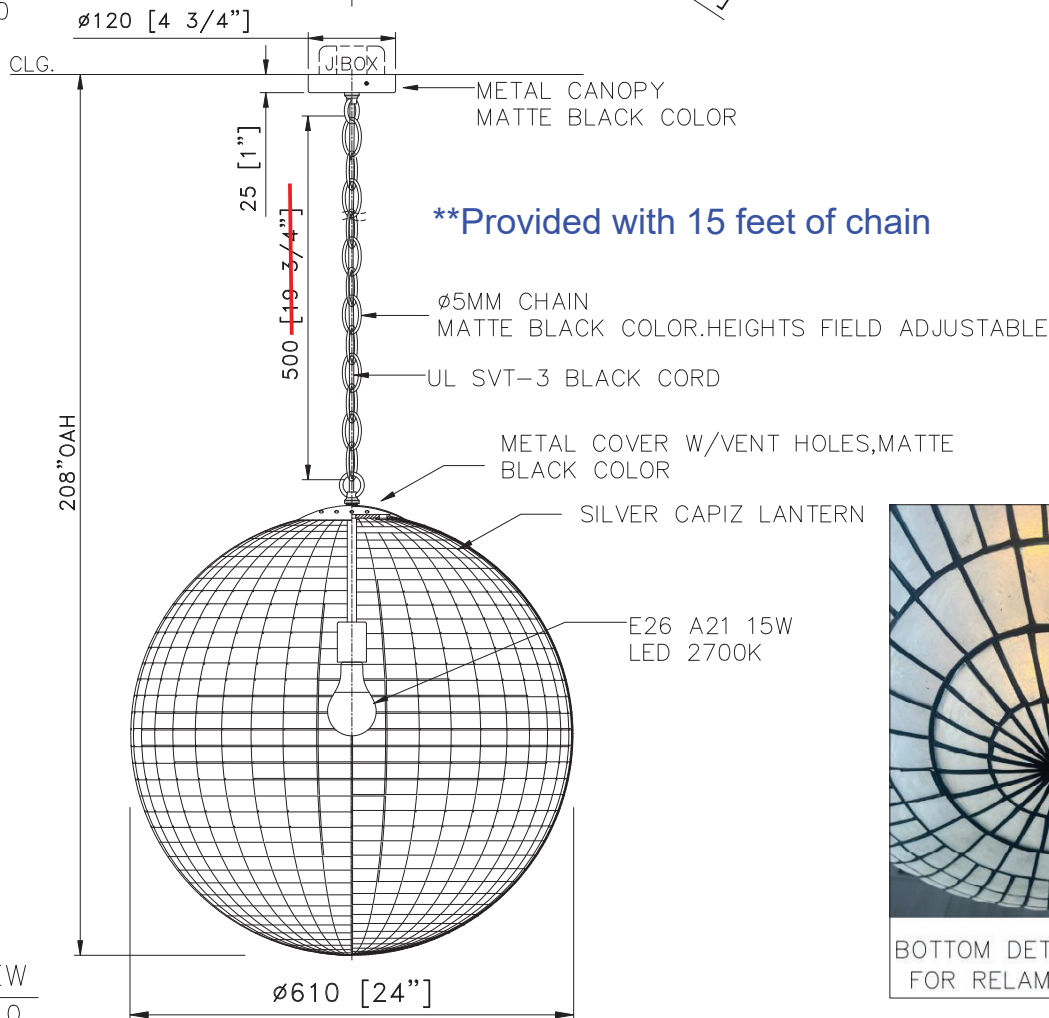


3D VIEW



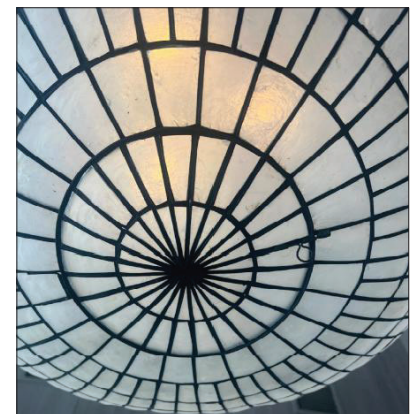
TOP VIEW

SCALE: 1 : 10



FRONT VIEW

SCALE: 1 : 10



BOTTOM DETAILS(OPENABLE FOR RELAMPING)

MEDIUM CAPIZ SHELL DECORATIVE PENDANT

ITEM NO: CEN-CP-0887 QTY:25X

Approval: Date: 9-3-24

With comments: _____

Signed By: Ron Delinski S.W.L.

Estimated Leads time are contingent upon receiving approved submittals and are subject to change

Parkers Kitchen

MIAMI, FL.

Les Industries CENTURY Industries Inc.

5645 Royalmount Ave.

Montreal, Quebec, Canada H4P 2P9

Tel:514-842-3933 Fax:514-842-7481

Toll free Canada only:1-877-842-3934

Date:2024/03/26 Rev:2024/08/29

(yyyy/mm/dd)

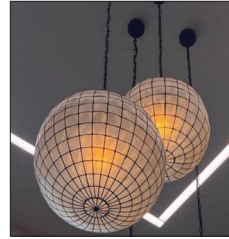
(yyyy/mm/dd)

Dwg. #

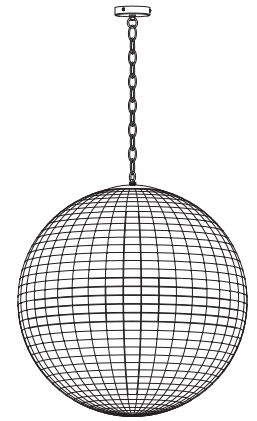
P 1/1

NOTES:

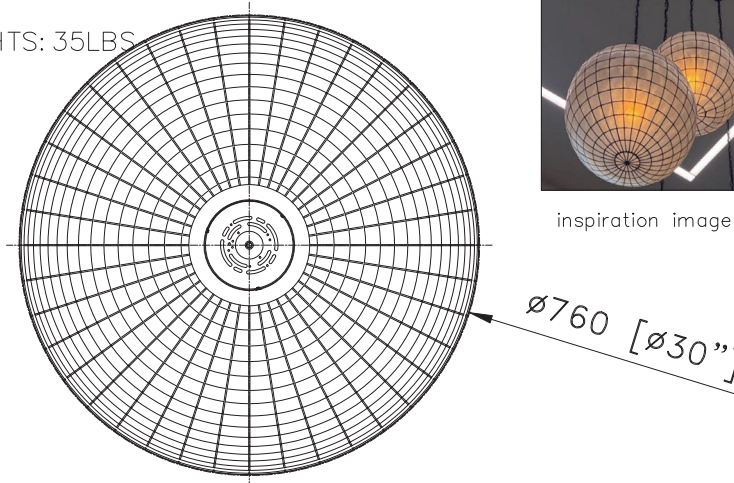
- 1)METAL: ALL EXPOSED METAL FINISH TO BE MATTE BLACK COLOR
 - 2)SHADE: SILVER CAPIZ LANTERN.
 - 3)SOCKET: 2xEDISON BASE MED.120V A.C. 60Hz,COMPATIBLE W/E26 A19 MAX.9W EA LED 2700K.DIMABLE. BULB NOT INCLUDED
 - 4)HARD WIRED.SUITABLE FOR INDOOR(DRY) LOCATION USE UL/CUL APPROVED
- ***APPROX MAX. WEIGHTS: 35LBS



inspiration image



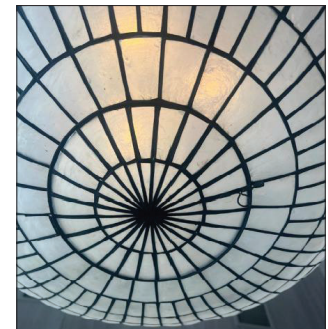
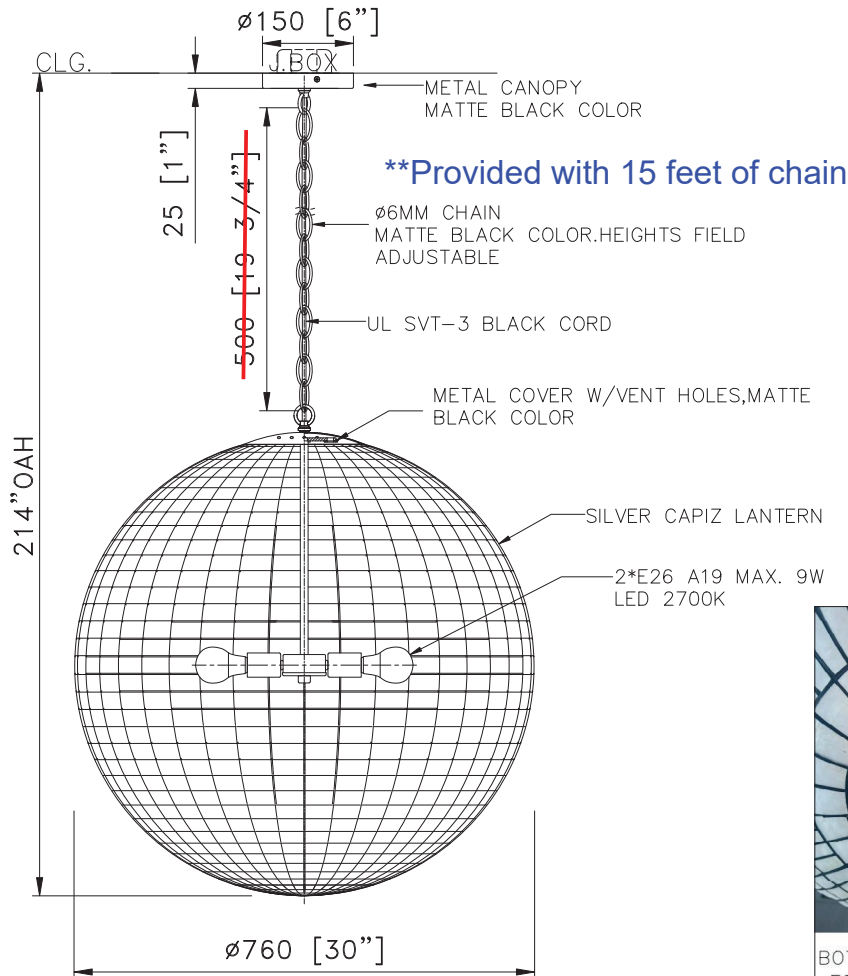
3D VIEW



Ø760 [Ø30"]

TOP VIEW

SCALE: 1 : 12



BOTTOM DETAILS(OPENABLE FOR RELAMPING)

FRONT VIEW

SCALE: 1 : 12

LARGE CAPIZ SHELL DECORATIVE PENDANT

ITEM NO: CEN-CP-0888 QTY: 25X

Approval: Date: 9-3-24

With comments: _____

Signed By: Ron Delinski S.W.L.

Estimated Leads time are contingent upon receiving approved submittals and are subject to change

Parkers Kitchen

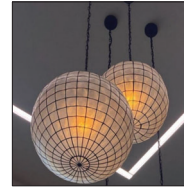
Les Industries CENTURY Industries Inc.
5645 Royalmount Ave.
Montreal, Quebec, Canada H4P 2P9
Tel: 514-842-3933 Fax: 514-842-7481
Toll free Canada only: 1-877-842-3934
Date: 2024/03/26 Rev: 2024/08/29
(yyyy/mm/dd) (yyyy/mm/dd)

Dwg. #

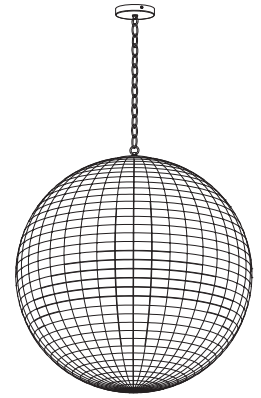
P 1/1

NOTES:

- 1)METAL:ALL EXPOSED METAL FINISH TO BE MATTE BLACK COLOR
- 2)SHADE:SILVER CAPIZ LANTERN.
- 3)SOCKET:3xEDISON BASE MED.120V A.C. 60Hz,COMPATIBLE W/E26 A19 MAX.9W EA LED 2700K.DIMAMBLE. BULB NOT INCLUDED
- 4)HARD WIRED.SUITABLE FOR INDOOR(DRY) LOCATION USE UL/CUL APPROVED
- ***APPROX MAX. WEIGHTS: 55LBS



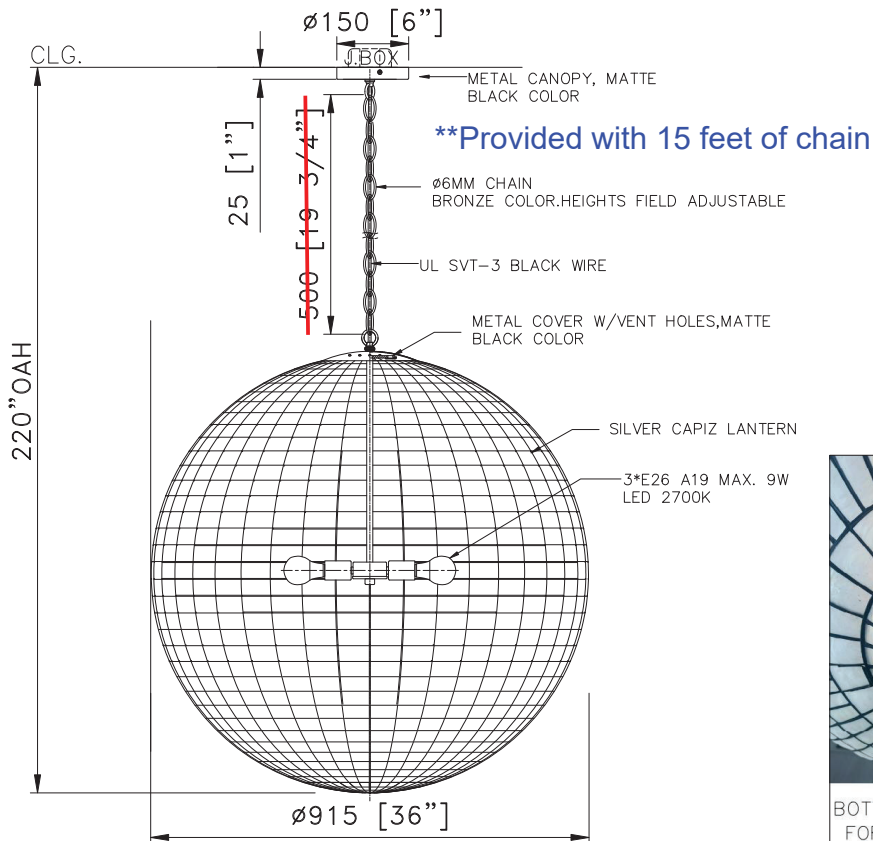
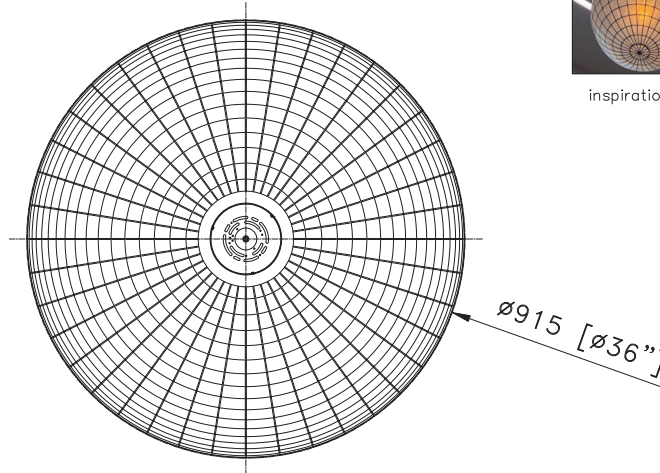
inspiration image



3D VIEW

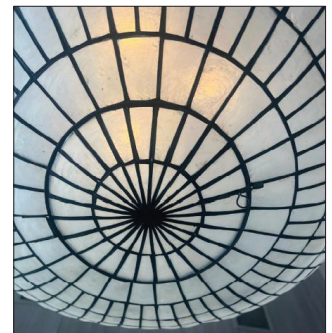
TOP VIEW

SCALE: 1 : 15



FRONT VIEW

SCALE: 1 : 15



BOTTOM DETAILS (OPENABLE FOR RELAMPING)

EXTRA LARGE CAPIZ SHELL DECORATIVE PENDANT

ITEM NO: GEN-CP-0889 QTY: 25X

Parkers Kitchen

Approval: Date: 9-3-24

With comments: _____

Signed By: Ron Delinski S.W.L.

Estimated Leads time are contingent upon receiving approved submittals and are subject to change

Les Industries GENTURY Industries Inc.
5645 Royalmount Ave.

Montreal, Quebec, Canada H4P 2P9

Tel: 514-842-3933 Fax: 514-842-7481

Toll free Canada only: 1-877-842-3934

Date: 2024/03/26 Rev: 2024/08/29

(yyyy/mm/dd)

(yyyy/mm/dd)

Dwg. #

P 1/1