



CENTURY

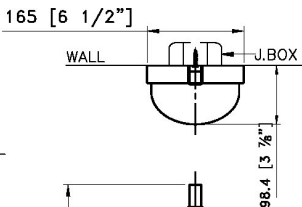
LIGHTING | ART | DESIGN



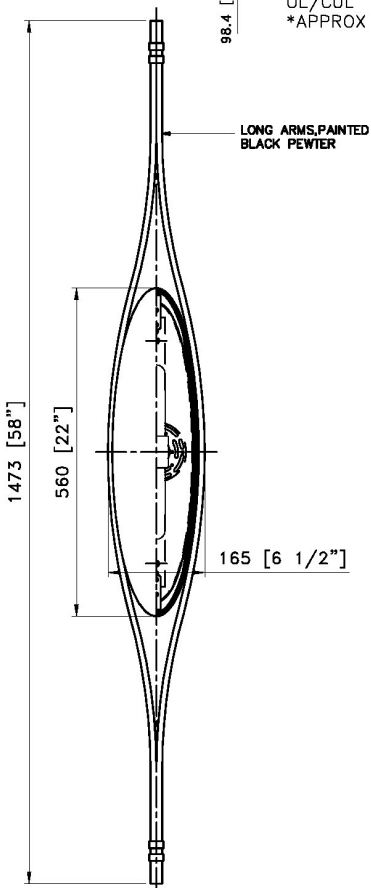


NOTES:

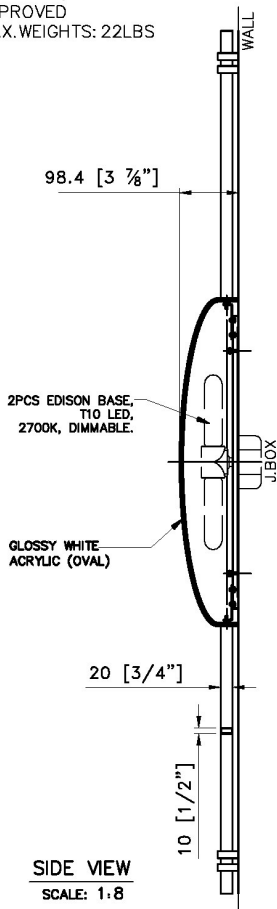
- 1) METAL: ALL EXPOSED METAL FINISH TO BE "ENGLISH BRONZE".
  - 2) SHADE: "GLOSSY WHITE" OVAL ACRYLIC.
  - 3) SOCKETS: 2x EDISON BASE MED. 120V. A.C 50-60Hz, COMPATIBLE W/E26 T10 LED, 2700K DIMMABLE,  
(Bulbs not included). HARDWIRED.  
UL/CUL APPROVED
- \*APPROX MAX. WEIGHTS: 22LBS



**TOP VIEW**  
SCALE: 1:8



**FRONT VIEW**  
SCALE: 1:8



**SIDE VIEW**  
SCALE: 1:8

**SCONCE @ ELEVATOR LOBBY**

ITEM NO: GC-LT-200 QTY: 40pcs

Approval:  Date: \_\_\_\_\_

With comments: \_\_\_\_\_

Signed By: \_\_\_\_\_

Estimated Leads time are contingent upon receiving approved submittals and are subject to change

**OCEAN TOWER-2  
ATLANTIC CITY, NJ.**

Les Industries CENTURY Industries Inc.  
5645 Royalmount Ave. Dwg.#  
Montreal, Quebec, Canada H4P 2P9  
Tel: 514-842-3933 Fax: 514-842-7481  
Toll free Canada only: 1-877-842-3934

Date: 2021/03/26 Rev: 2021/05/11  
(yyyy/mm/dd) (yyyy/mm/dd)