



# CENTURY

LIGHTING | ART | DESIGN

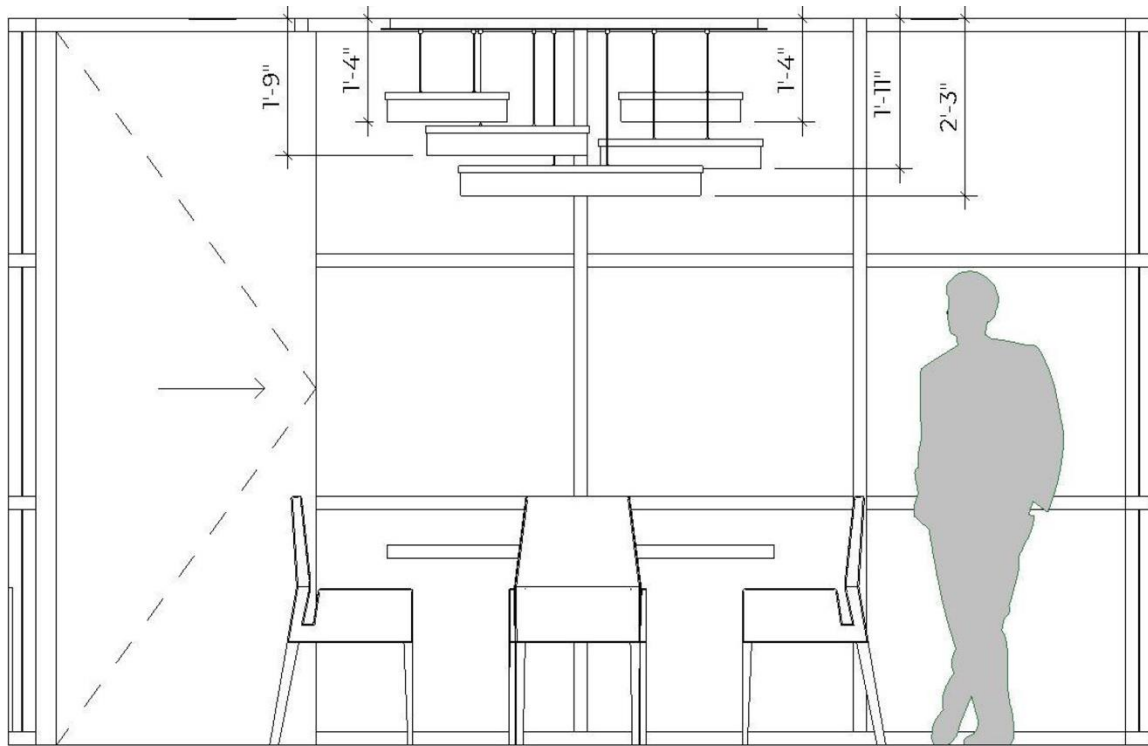
joekrauslighting

301-537-5808

[joe@joekrauslighting.com](mailto:joe@joekrauslighting.com)

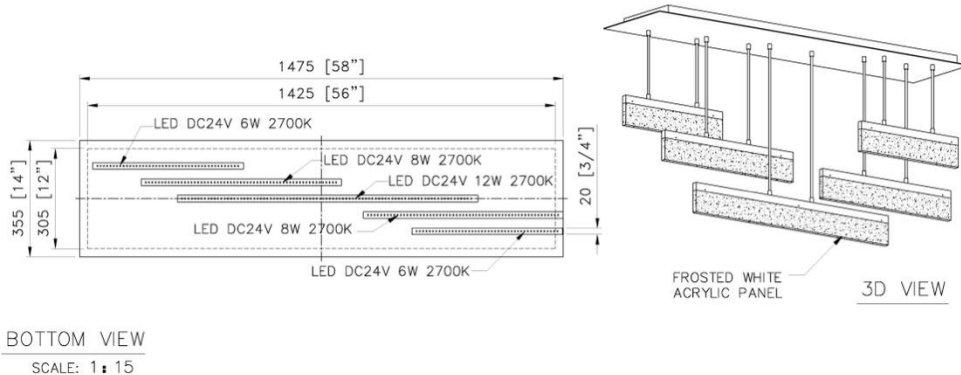
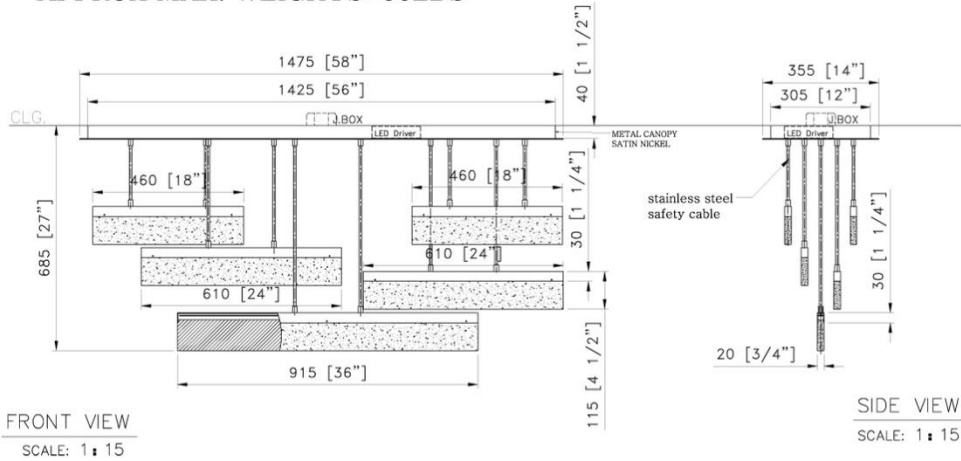
[www.joekrauslighting.com](http://www.joekrauslighting.com)





NOTES:

- 1)METAL:ALL THE EXPOSED METAL FINISH TO SATIN NICKEL.
  - 2)SHADE:5PCS\* FROSTED WHITE ACRYLIC PANELS
  - 3)LAMPING:INTEGRATED LED 40W LED 2700K. DIMMABLE.  
W/DRIVER@CANOPY
  - 4)HARD WIRED.120V.A.C. 50-60Hz  
UL/CUL APPROVED
- \*\*\*APPROX MAX. WEIGHTS: 55LBS



<b>CUSTOM LINEAR CHANDELIER</b>		<b>National Landing Building 1</b>	
ITEM NO: B1-AP6 QTY: 1X		Arlington, VA	
Approval: <input type="checkbox"/> <input checked="" type="checkbox"/>	Date: 04.18.23	Les Industries CENTURY Industries Inc.	
With comments:		5645 Royalmount Ave. Dwg. #	
<small>PROVIDE FINISH SAMPLES FOR 1LD APPROVAL. REVIEWED AS NOTED.</small>		Montreal, Quebec, Canada H4P 2P9	
Signed By: JASON VALENTIN		Tel: 514-842-3933 Fax: 514-842-7481	
Estimated Leads time are contingent upon receiving approved submittals and are subject to change		Toll free Canada only: 1-877-842-3934	
		Date: 2022/11/07 Rev: 2023/03/26	
		(yyyy/mm/dd) (yyyy/mm/dd)	
		<b>P 1/1</b>	