

Meridian at Courthouse

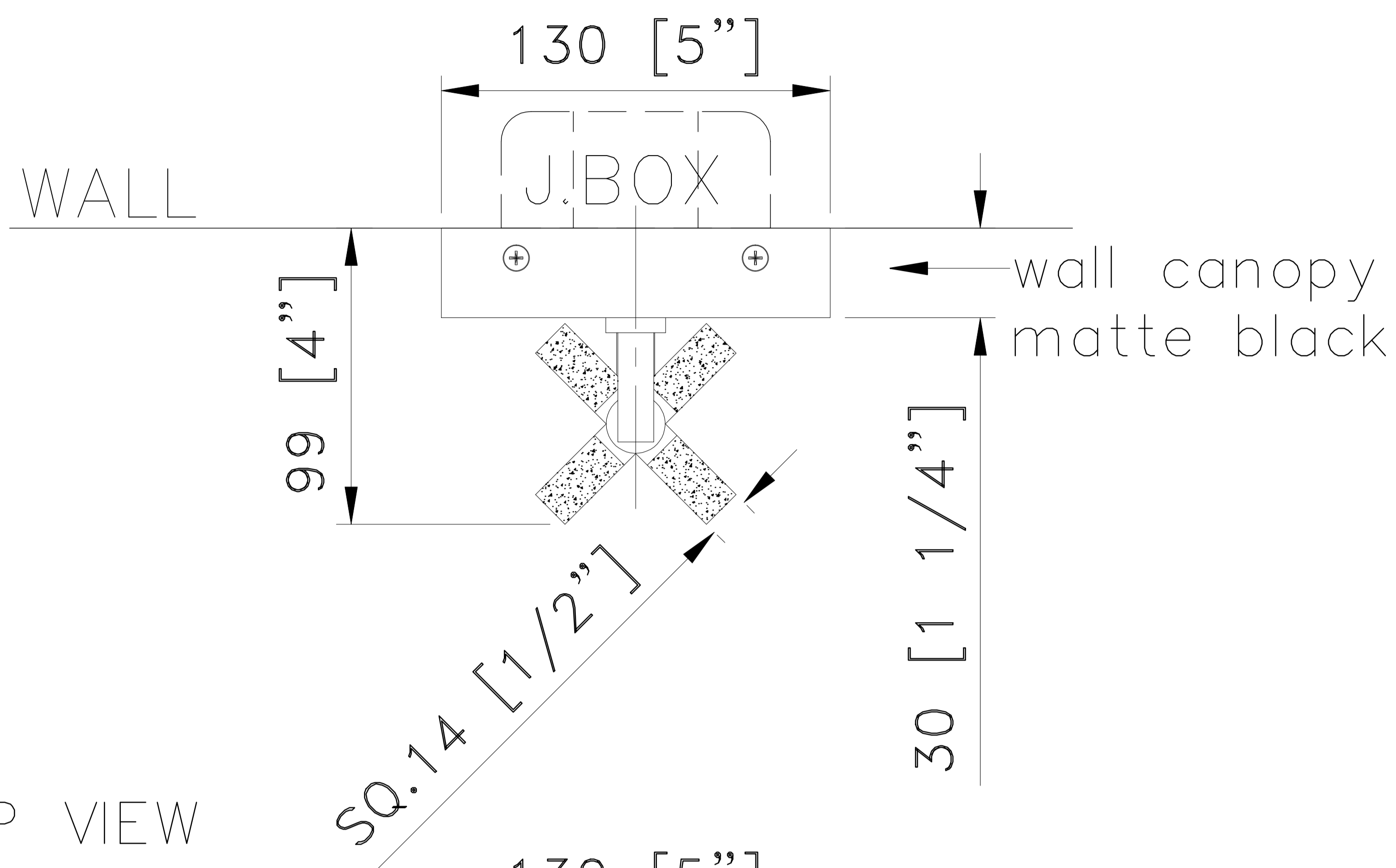
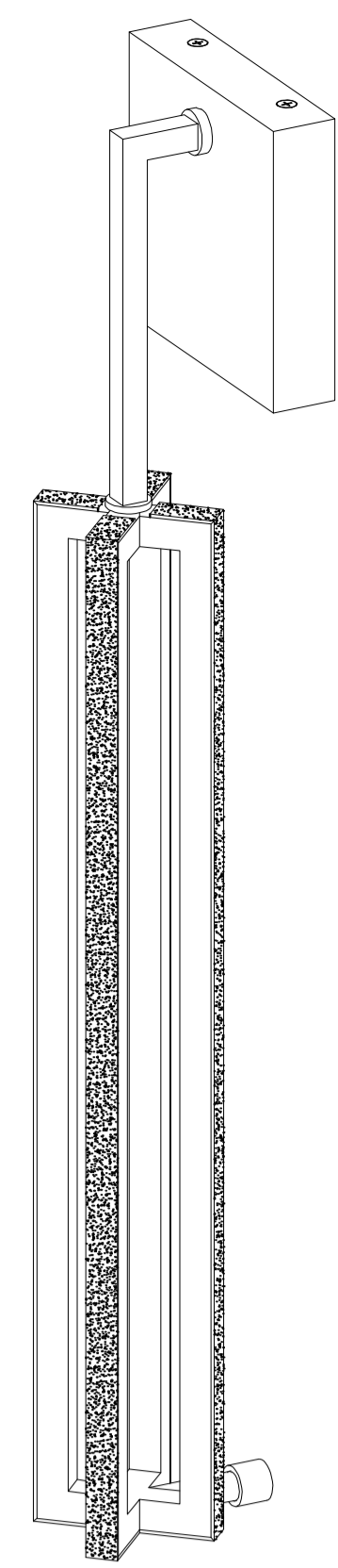




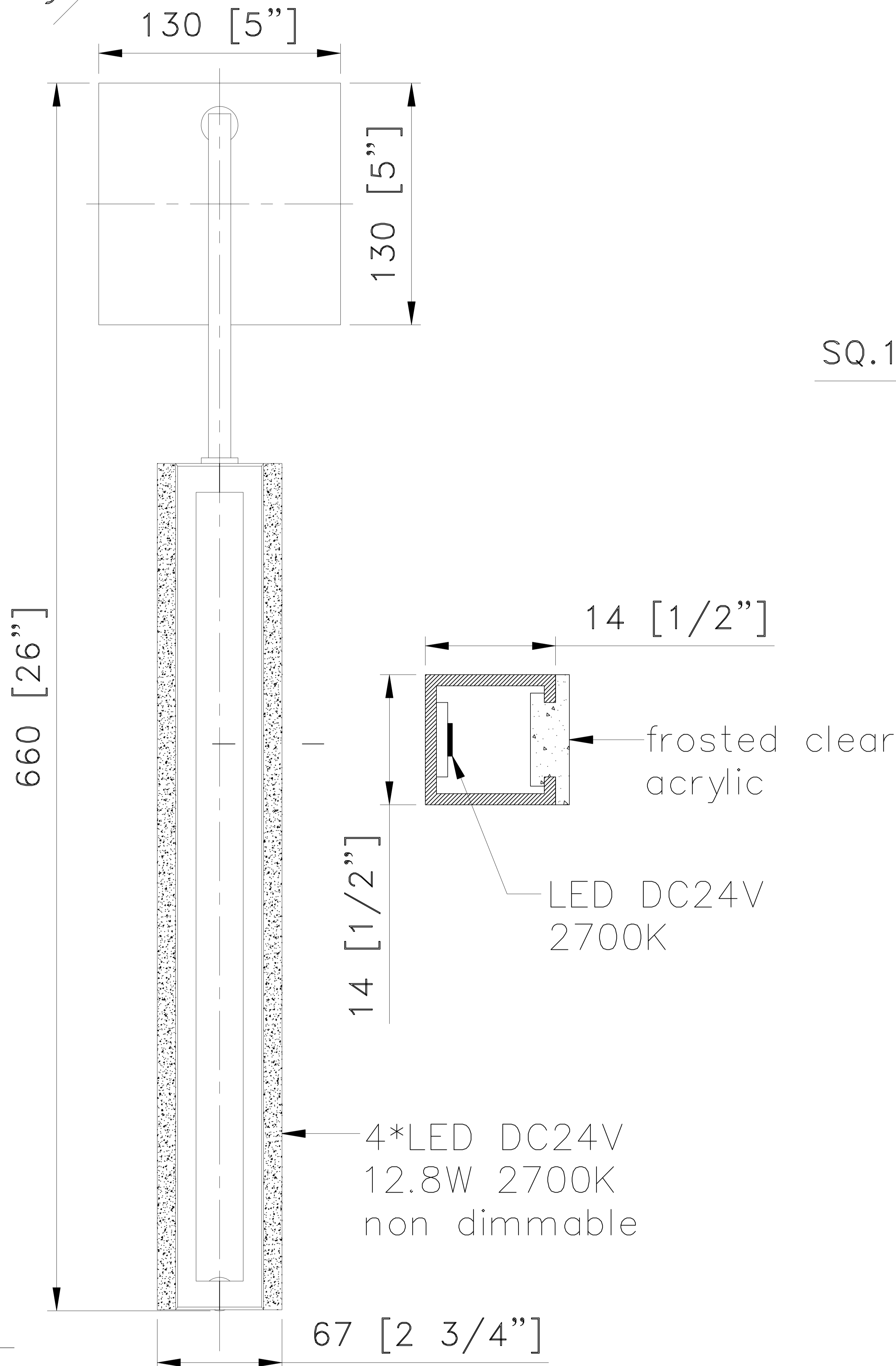


NOTES:

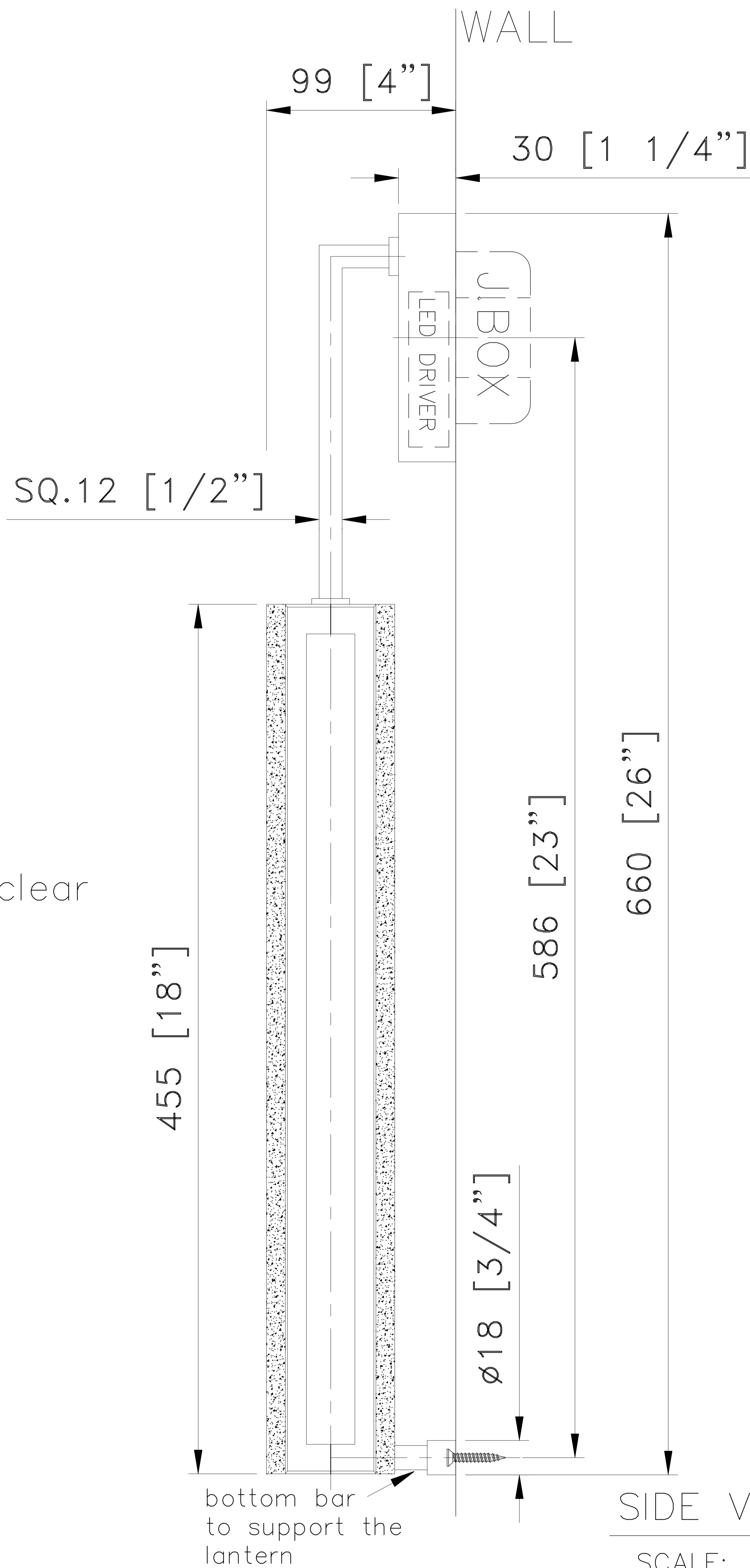
- 1)METAL: ALL EXPOSED METAL FINISH TO BE MATTE BLACK
- 2)DIFFUSER: FROSTED CLEAR ACRYLIC.
- 3)LAMPING: INTEGRATED LED 12.8 2700K. NON DIMMABLE. W/DRIVER@WALL CANOPY. 120V.A.C. 60Hz
- 4)HARD WIRED. SUITABLE FOR INDOOR(DRY)LOCATION USE. UL/CUL APPROVED ****APPROX MAX. WEIGHTS: 7LBS



TOP VIEW
SCALE: 1 : 5



FRONT VIEW
SCALE: 1 : 5



SIDE VIEW
SCALE: 1 : 5

CUSTOM WALL SCONCE

ITEM NO: CEN-WS-0737 QTY: 700x

Approval: Date: _____

With comments: _____

Signed By: _____

Estimated Leads time are contingent upon receiving approved submittals and are subject to change

Les Industries CENTURY Industries Inc.

5645 Royalmount Ave.

Montreal, Quebec, Canada H4P 2P9

Tel: 514-842-3933 Fax: 514-842-7481

Toll free Canada only: 1-877-842-3934

Date: 2023/05/19 Rev: 2023/05/22

(yyyy/mm/dd)

(yyyy/mm/dd)

Dwg. #

