



CENTURY

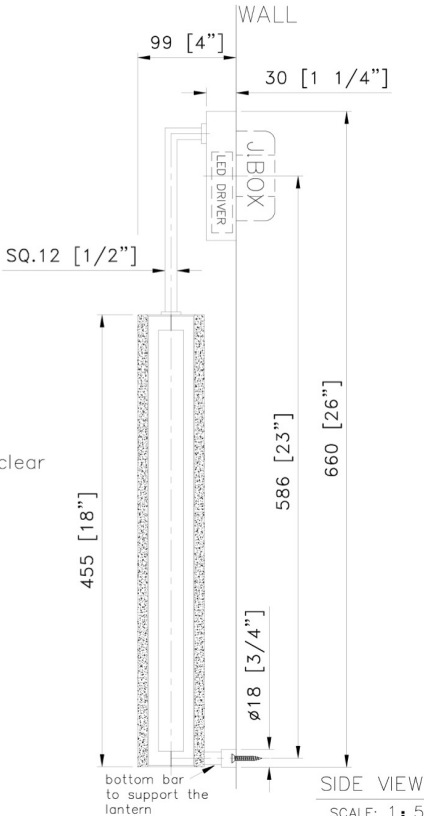
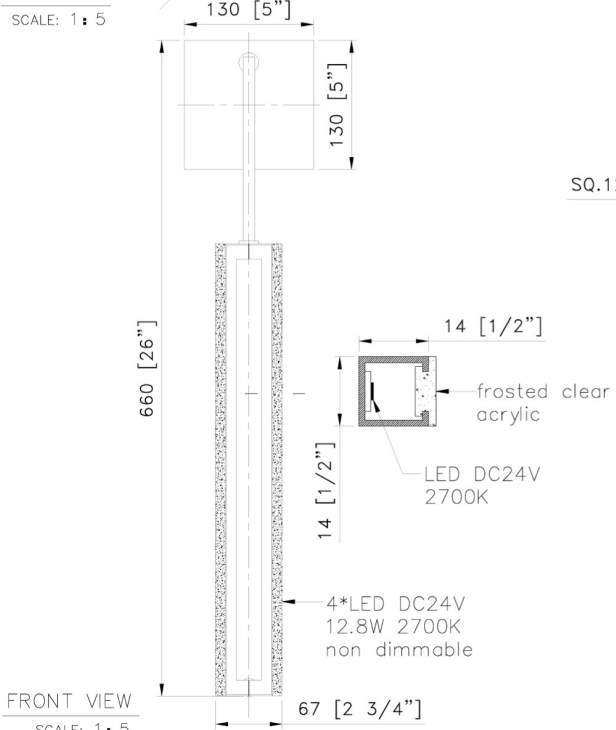
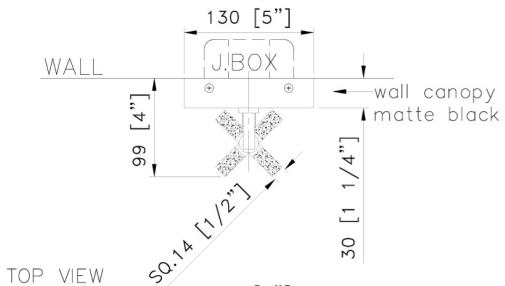
LIGHTING | ART | DESIGN







- NOTES:
 1) METAL: ALL EXPOSED METAL FINISH TO BE MATTE BLACK
 2) DIFFUSER: FROSTED CLEAR ACRYLIC.
 3) LAMPING: INTEGRATED LED 12.8 2700K. NON DIMMABLE. W/DRIVER@WALL CANOPY. 120V.A.C. 60Hz
 4) HARD WIRED. SUITABLE FOR INDOOR(DRY)LOCATION USE.
 UL/CUL APPROVED ****APPROX MAX. WEIGHTS: 7LBS



CUSTOM WALL SCONCE

ITEM NO: CEN-WS-0737 QTY: 700x

Approval: Date: _____

With comments: _____

Signed By: _____

Estimated Leads time are contingent upon receiving approved submittals and are subject to change

Les Industries CENTURY Industries Inc.
 5645 Royalmount Ave. Dwg. #
 Montreal, Quebec, Canada H4P 2P9
 Tel: 514-842-3933 Fax: 514-842-7481
 Toll free Canada only: 1-877-842-3934
 Date: 2023/05/19 Rev: 2023/05/22
 (yyyy/mm/dd) (yyyy/mm/dd)

