

CENTURY

LIGHTING | ART | DESIGN



Brightview Senior Living  
Hunt Valley, Maryland

joe kraus lighting 

301-537-5808

[joe@joe kraus lighting.com](mailto:joe@joe kraus lighting.com)

[www.joe kraus lighting.com](http://www.joe kraus lighting.com)

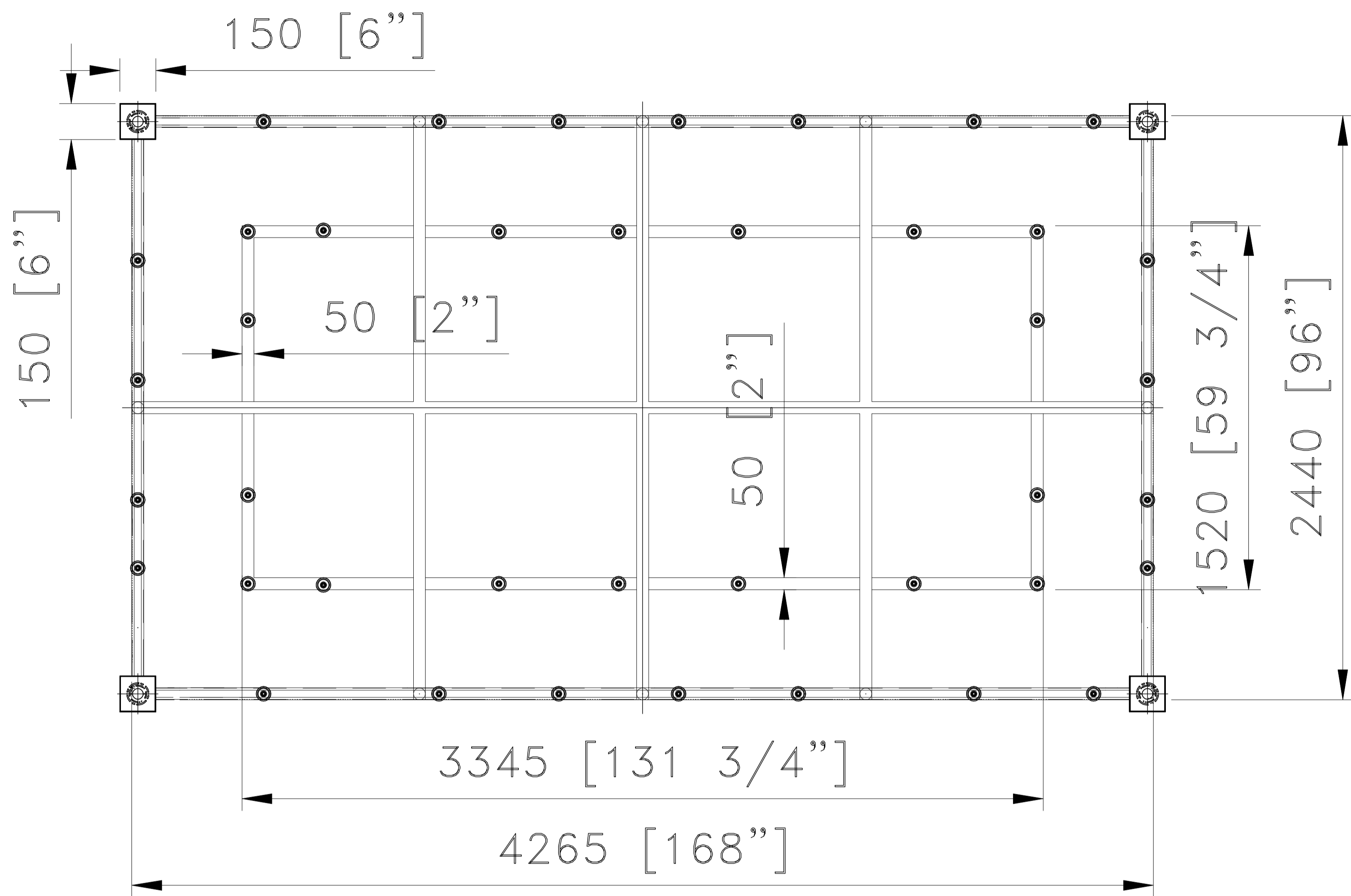


Custom 40 Light 14 x 8' Restaurant Fixture



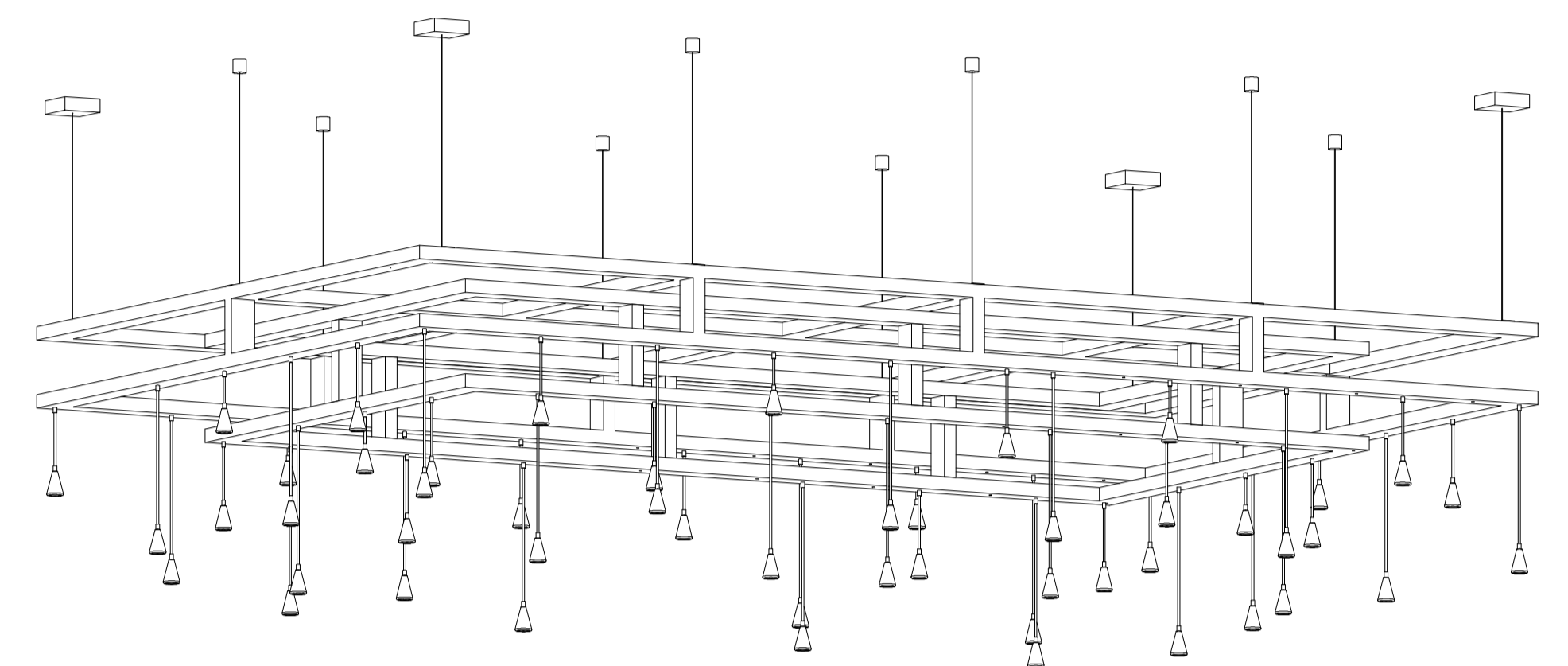
NOTES:

- 1) METAL: ALL EXPOSED METAL FINISH TO BE POWDER COATED "MATTE BLACK"
- 2) SHADE/DIFFUSER: MILK WHITE ACRYLIC DIFFUSER (UP LIGHT) + 40PCS\* METAL TAPER METAL SHADE (DOWN LIGHTS)
- 3) LAMPING:
  - A. UPLIGHT: INTEGRATED LED 320W @ RECTANGLE FRAMES, W/REMOTE DRIVER. 120V.AC. 50-60Hz
  - B. DOWNLIGHT: 40PCS\*GU10 LED MAX.7.5W EA, LED 3000K. BULBS NOT INCLUDED
- 4) HARD WIRED. ON-SITE ASSEMBLY REQUIRED  
UL/CUL APPROVED; APPROX MAX. WEIGHTS: 825 LBS

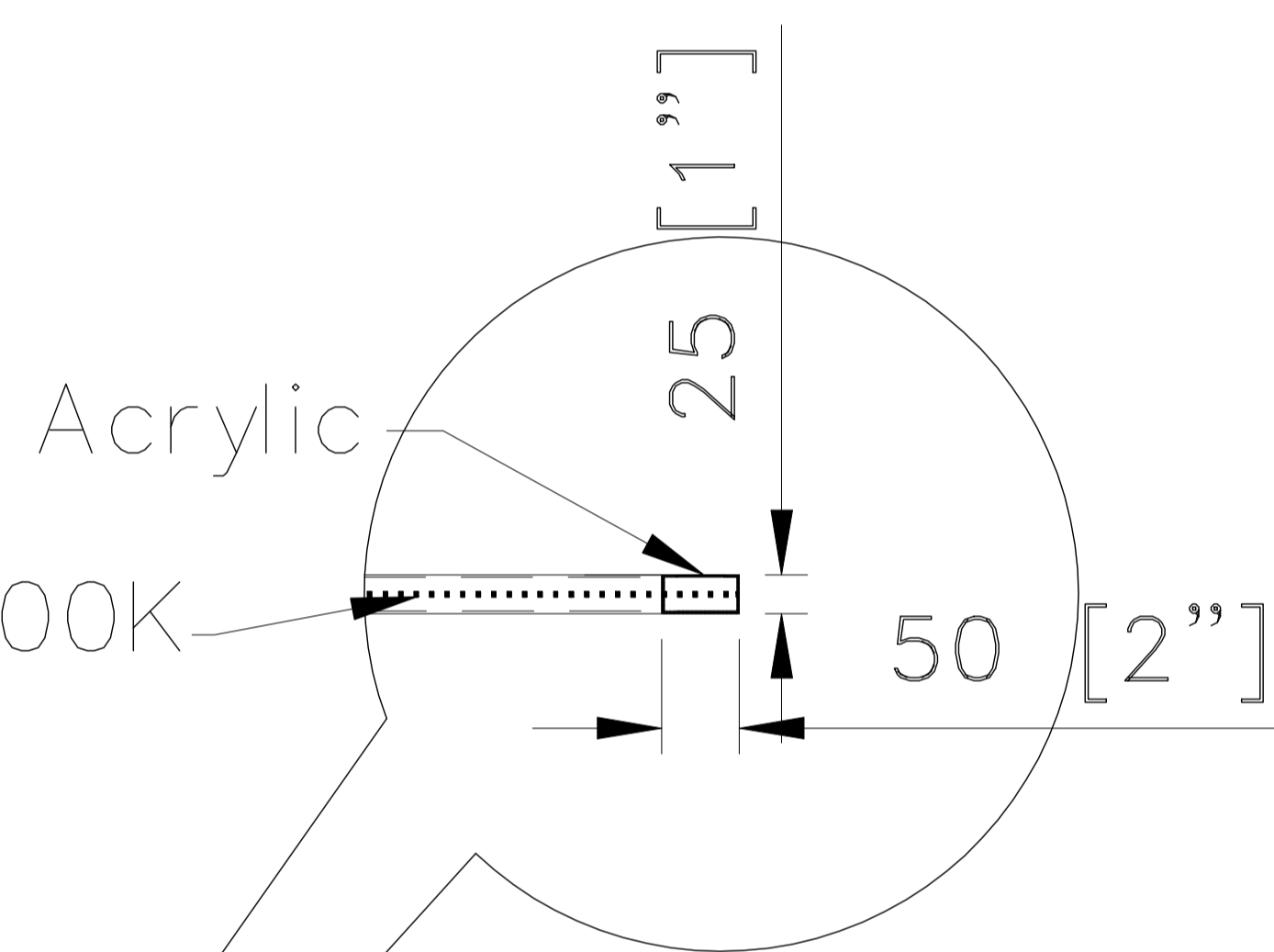


TOP VIEW

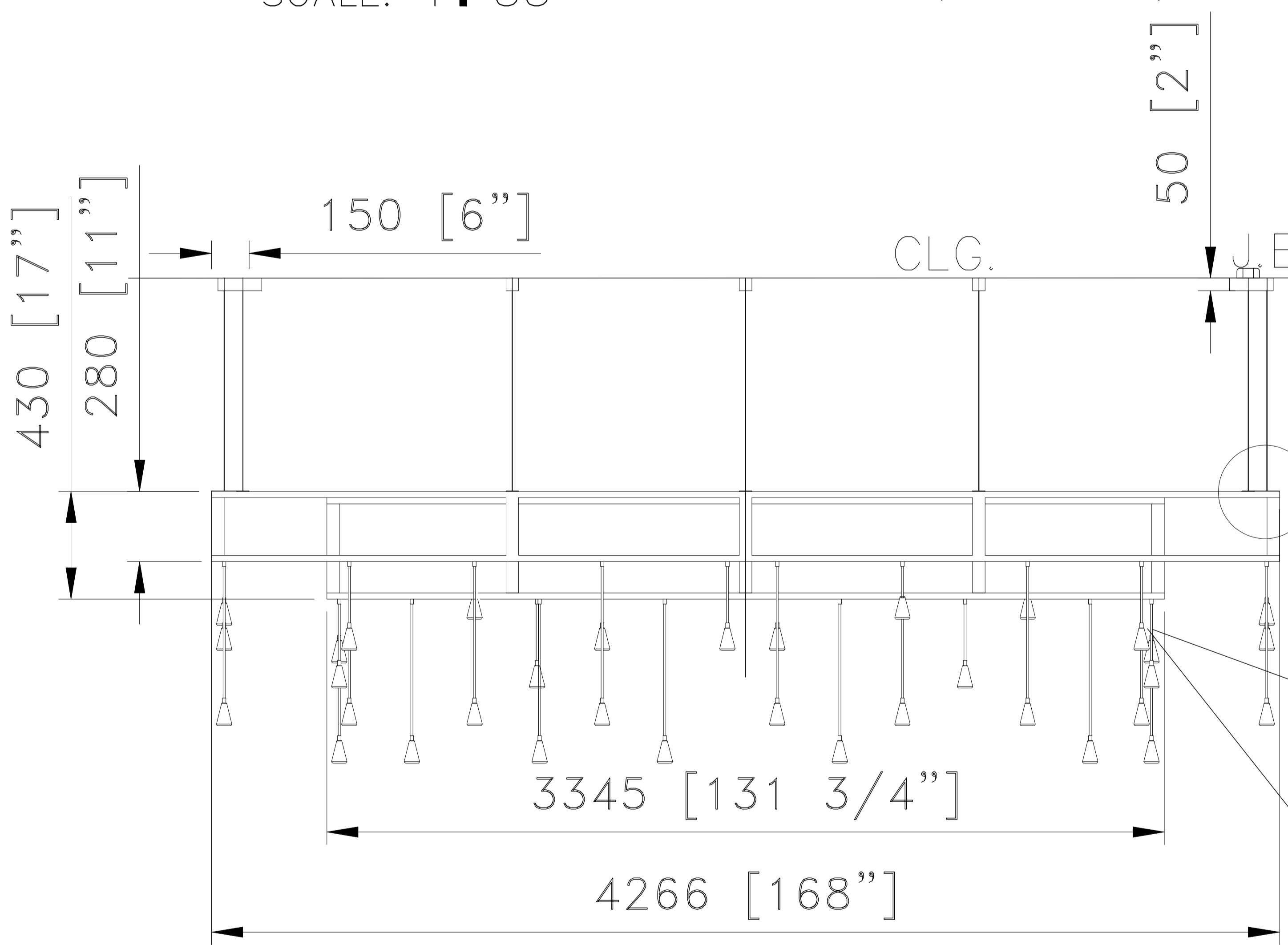
SCALE: 1 : 55



3D VIEW

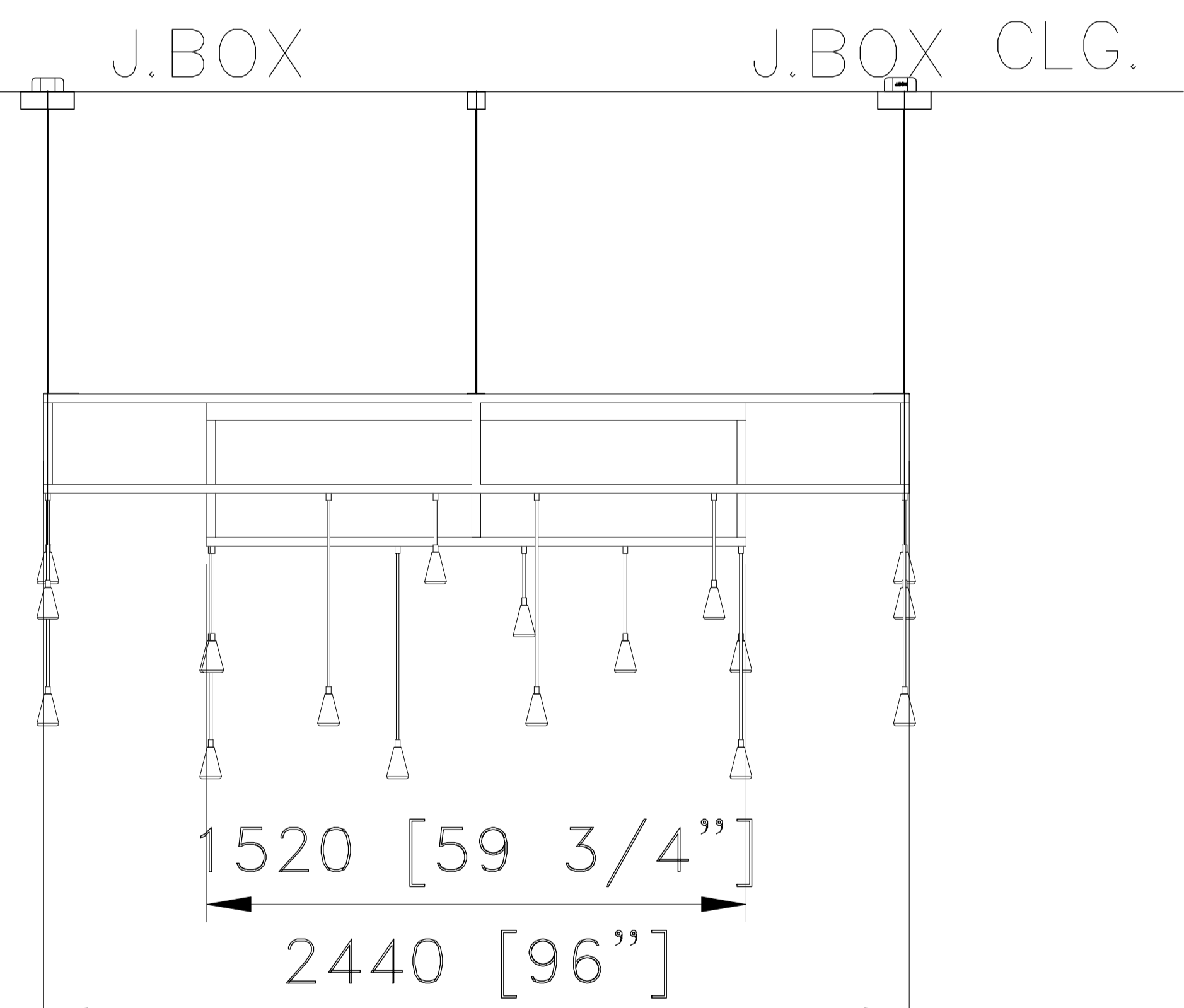


LED DC24V 320W 3000K  
(UPLIGHT)



FRONT VIEW

SCALE: 1 : 55



SIDE VIEW

SCALE: 1 : 55

UL SVT 18#-3  
BLACK CORD

GU10 7.5W\*40PCS  
(BULBS NOT INCLUDED)

**CUSTOM CEILING FIXTURE@RESTAURANT**

ITEM NO:K23 QTY:2X

Approval:  Date: \_\_\_\_\_

With comments: \_\_\_\_\_

Signed By: \_\_\_\_\_

Estimated Leads time are contingent upon receiving approved submittals and are subject to change

BRIGHTVIEW

HUNT VALLEY, MD

Les Industries CENTURY Industries Inc.

5645 Royalmount Ave.

Montreal, Quebec, Canada H4P 2P9

Tel: 514-842-3933 Fax: 514-842-7481

Toll free Canada only: 1-877-842-3934

Date: 2021/05/02 Rev: 2021/06/20

(yyyy/mm/dd)

(yyyy/mm/dd)

Dwg. #

P 1/1

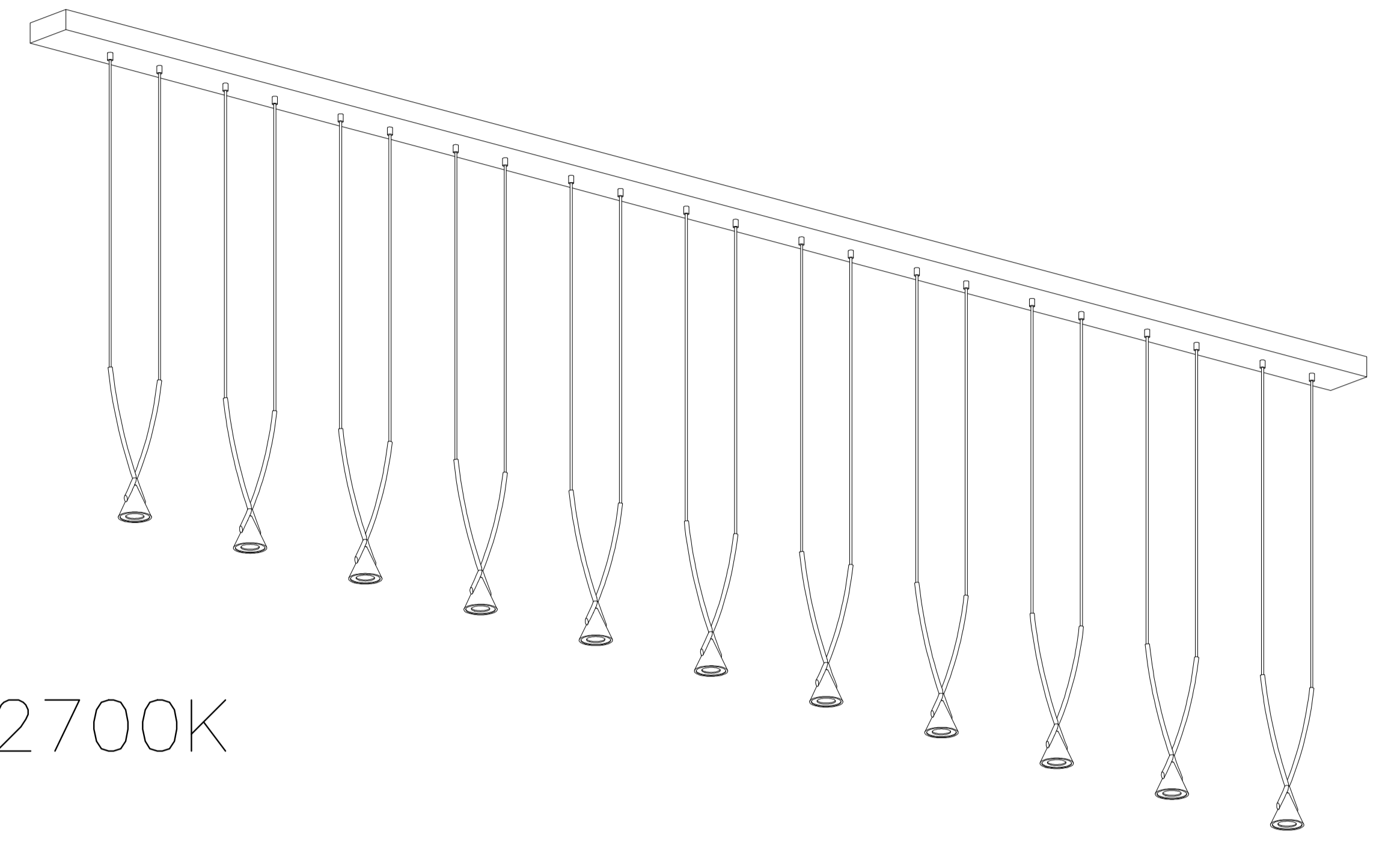
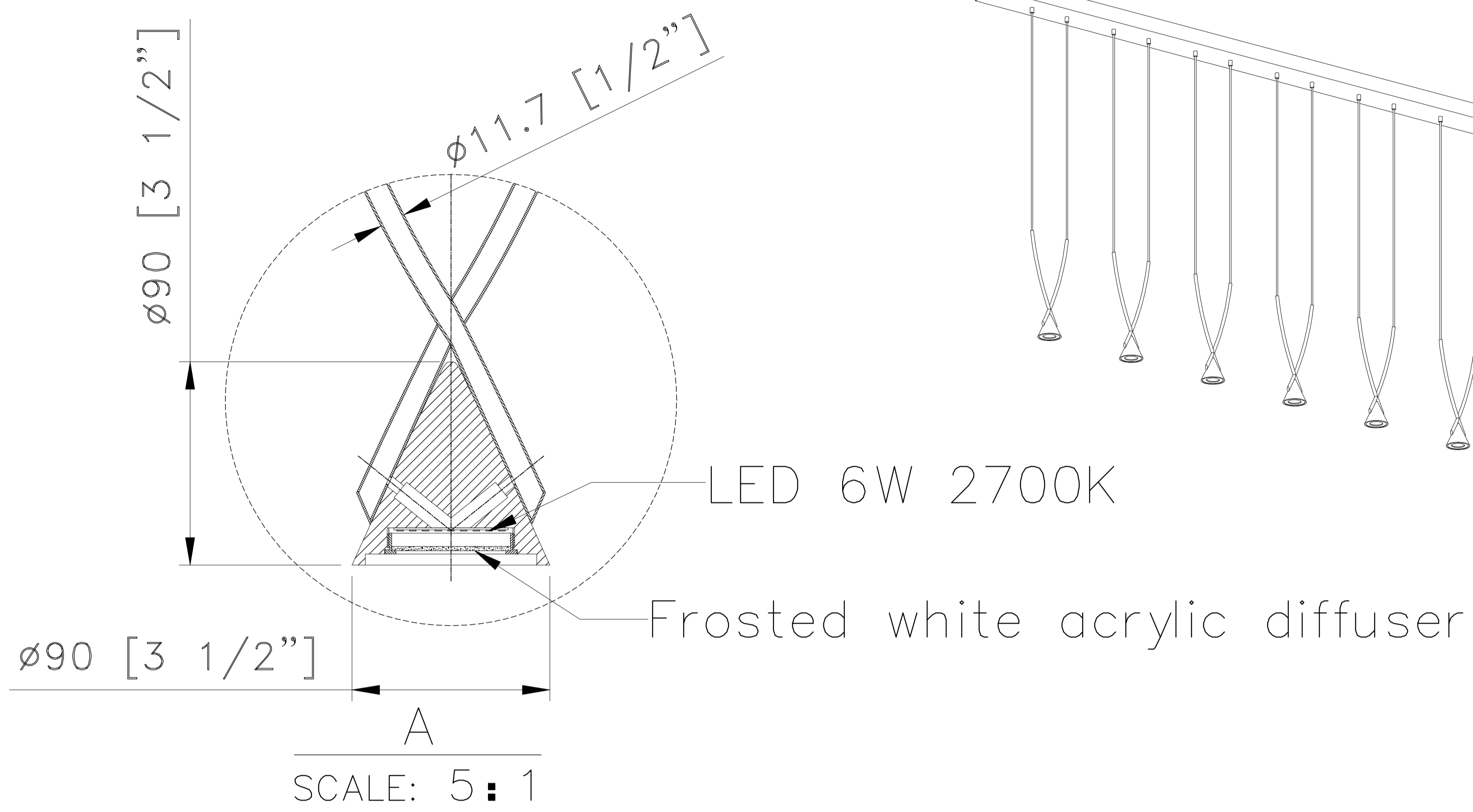


Custom 11 Light 15' Bar Fixture

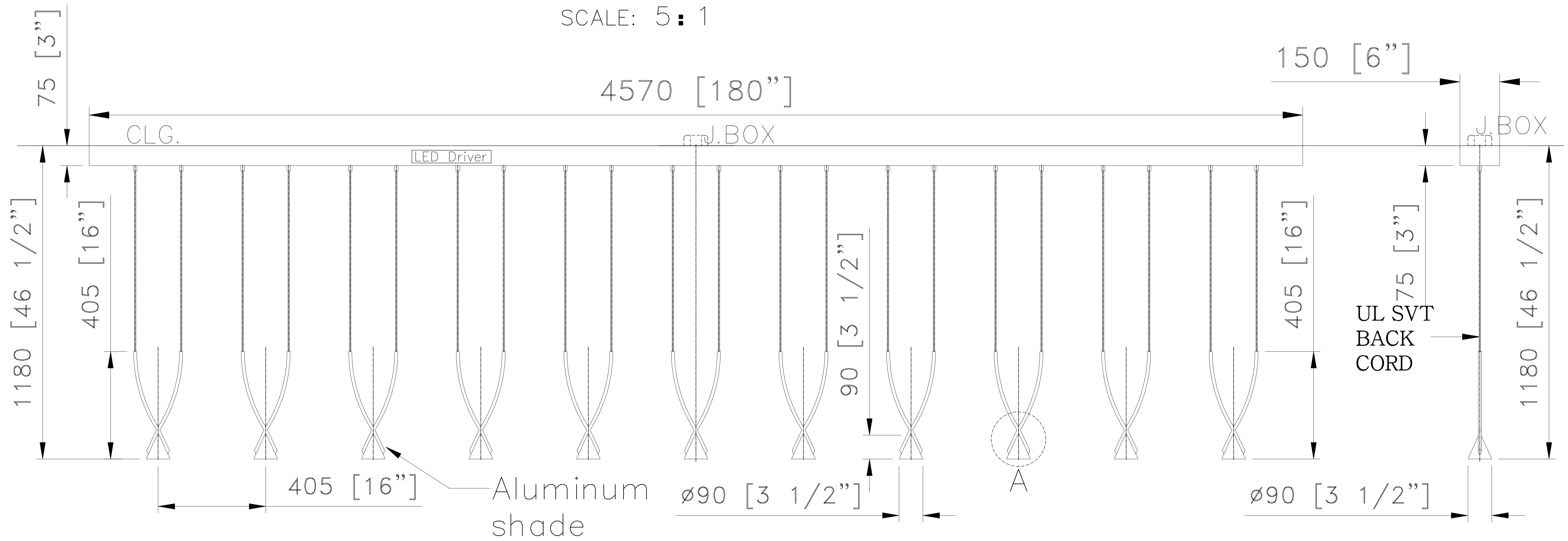


NOTES:

- 1) METAL: ALL EXPOSED METAL FINISH TO BE POWDER COATED MATTE BLACK
  - 2) DIFFUSER: 11 PCS \* FROSTED WHITE ACRYLIC.
  - 3) LAMPING: INTEGRATED LED 66W LED, 2700K. DIMMABLE. W/DRIVER@CANOPY
  - 4) HARD WIRED. 120V.A.C. 50-60Hz
- UL/CUL APPROVED
- \*\*\*APPROX MAX. WEIGHTS: 75LBS

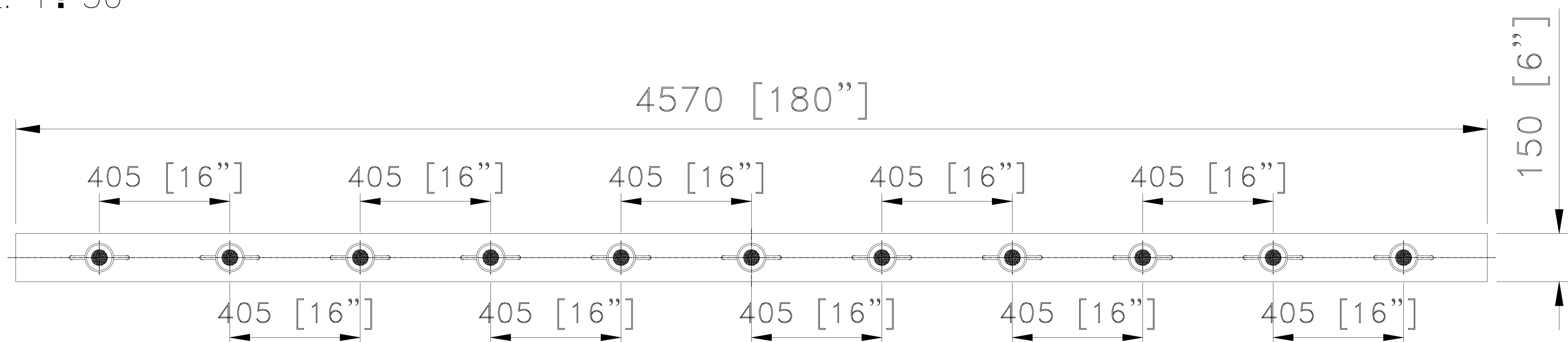


3D VIEW



FRONT VIEW  
SCALE: 1 : 30

SIDE VIEW  
SCALE: 1 : 30



BOTTOM VIEW  
SCALE: 1 : 30

**CUSTOM PENDANT@BAR**

ITEM NO: K14 QTY: 1PC

Approval:  Date: \_\_\_\_\_

With comments: \_\_\_\_\_

Signed By: \_\_\_\_\_

Estimated Leads time are contingent upon receiving approved submittals and are subject to change

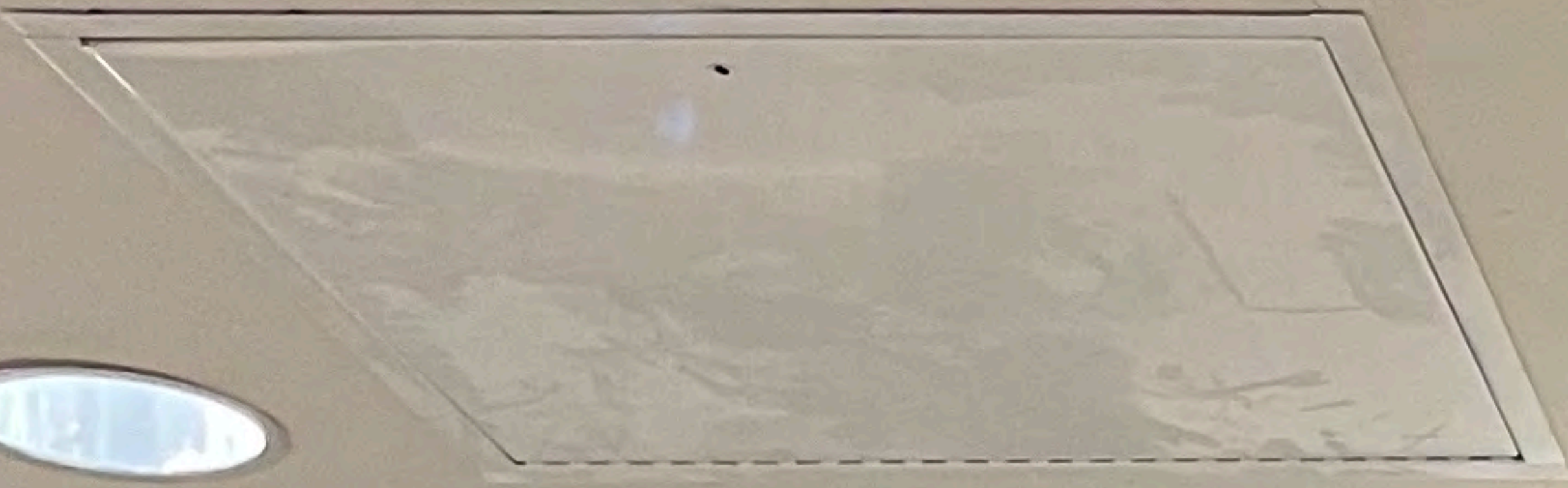
**BRIGHTVIEW  
HUNT VALLEY, MD**

Les Industries CENTURY Industries Inc.  
5645 Royalmount Ave. Dwg. #  
Montreal, Quebec, Canada H4P 2P9  
Tel: 514-842-3933 Fax: 514-842-7481  
Toll free Canada only: 1-877-842-3934  
Date: 2021/09/25 Rev: \_\_\_\_\_  
(yyyy/mm/dd) (yyyy/mm/dd)





Custom 60" Lobby Sconce/Pendants



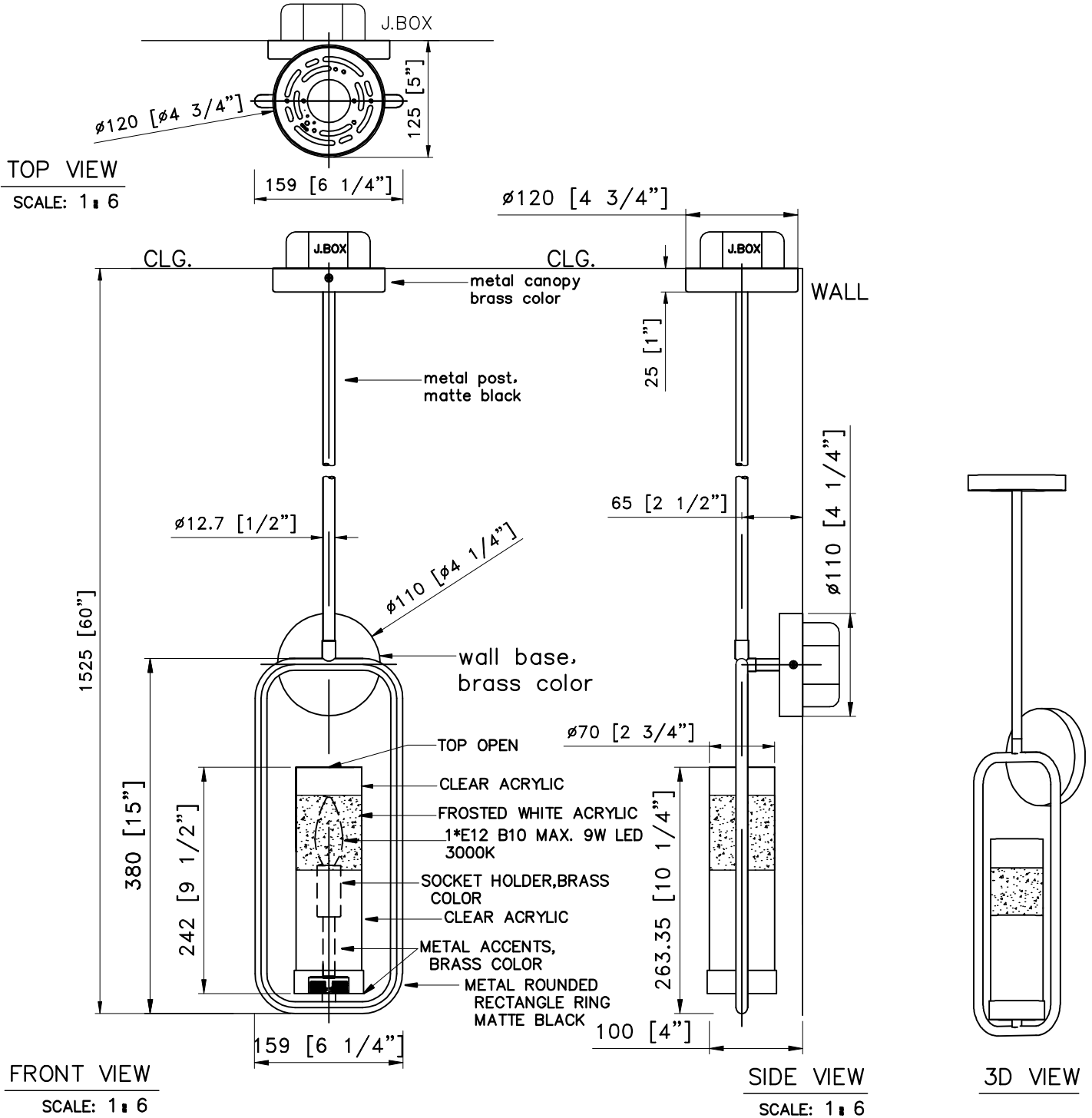
4

★G  
1



NOTES:

- 1) METAL: ALL EXPOSED METAL FINISH TO BE MATTE BLACK W/BRASS COLOR METAL ACCENTS
- 2) SHADE: CLEAR ACRYLIC CYLINDER W/MIDDLE FROSTED WHITE.
- 3) SOCKET: 1xCANDELABRA BASE. 120V.A.C.50-60Hz. COMPATIBLE W/E12 B10 MAX.9W EA 3000K. DIMMABLE. BULB NOT INCLUDED
- 4) HARD WIRED; UL/CUL APPROVED
- \*\*\*APPROX MAX. WEIGHT:14LBS



**Custom PENDANT LIGHT**

ITEM NO: J3 QTY: 4pcs

Approval:  Date: \_\_\_\_\_

With comments: \_\_\_\_\_

Signed By: \_\_\_\_\_

Estimated Leads time are contingent upon receiving approved submittals and are subject to change

**BRIGHTVIEW**

HUNT VALLEY, MD

Les Industries CENTURY Industries Inc.

5645 Royalmount Ave.

Montreal, Quebec, Canada H4P 2P9

Tel: 514-842-3933 Fax: 514-842-7481

Toll free Canada only: 1-877-842-3934

Date: 2021/05/02 Rev: 2021/06/20

(yyyy/mm/dd)

(yyyy/mm/dd)

Dwg. #

P 1/1

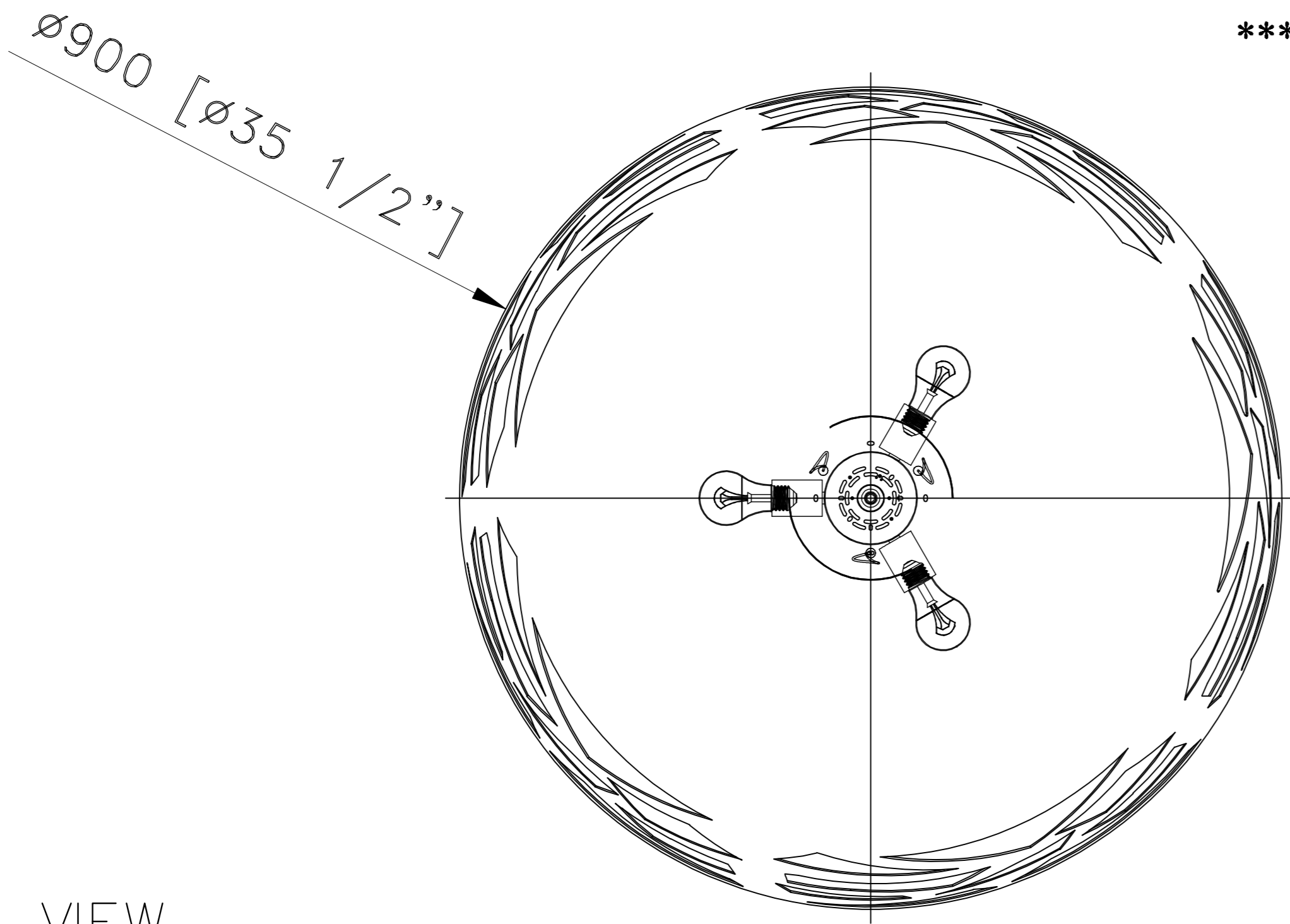


Custom 36" Laser Cut Dome Pendants

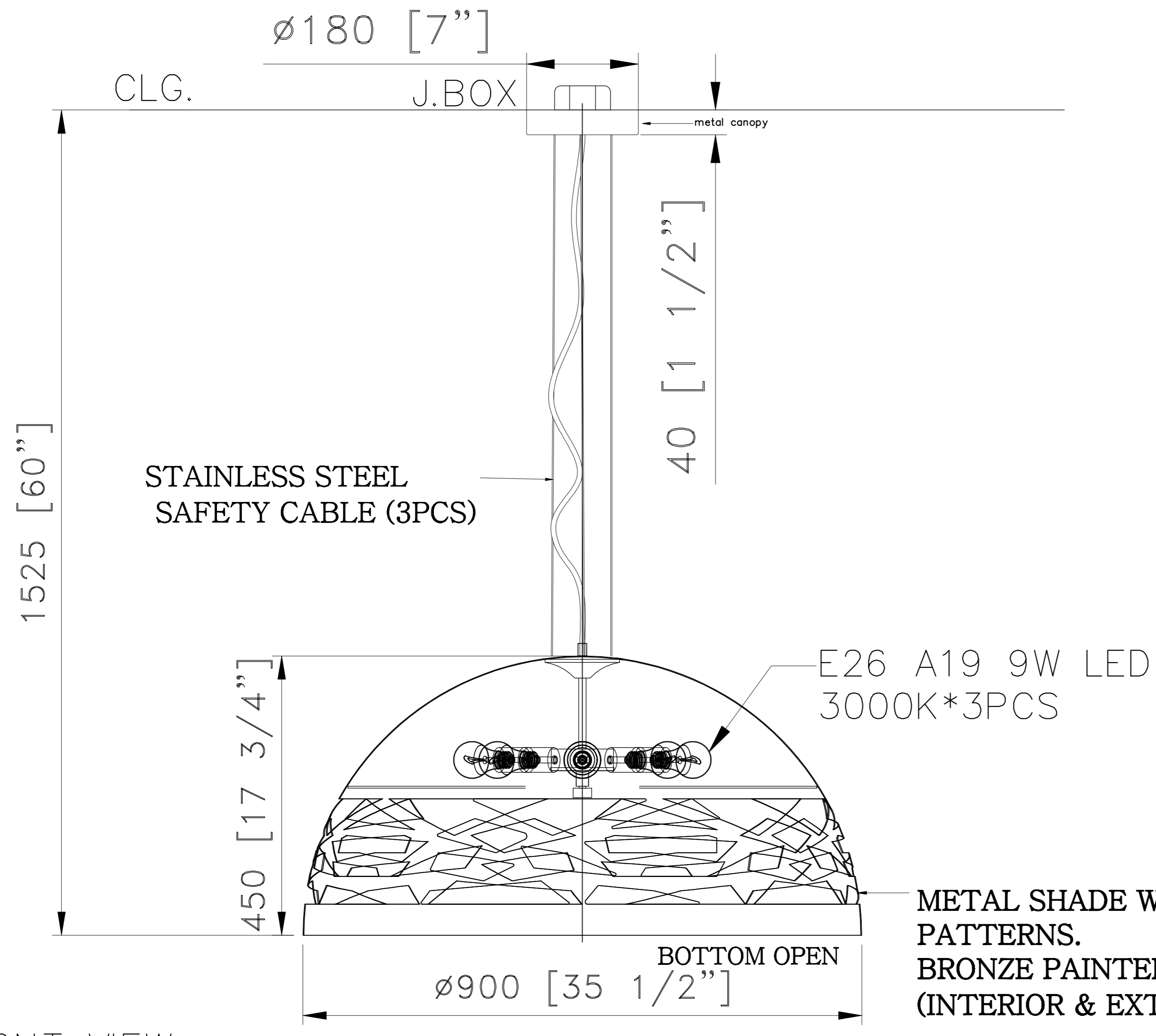


NOTES:

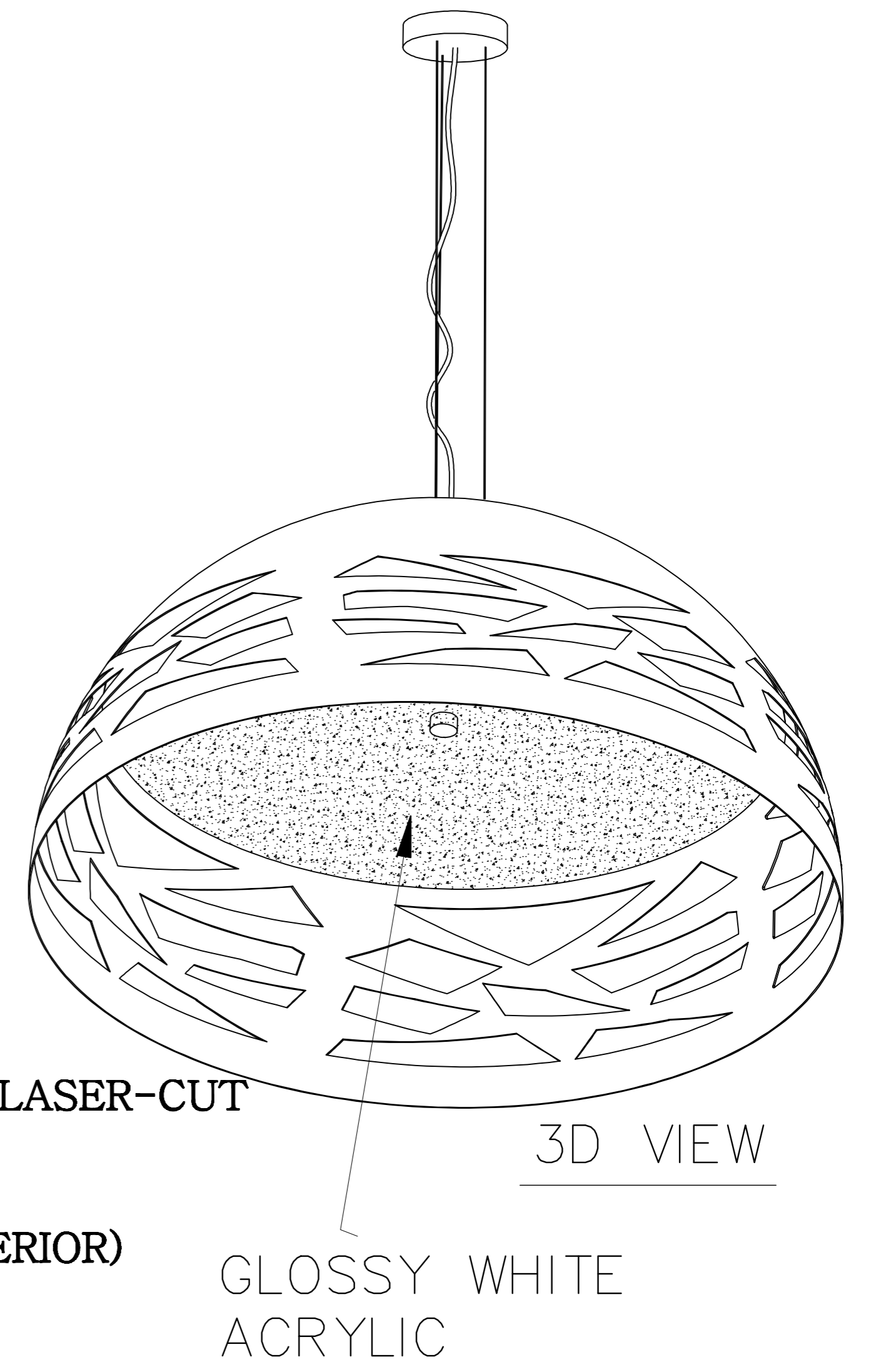
- 1) METAL: ALL EXPOSED METAL FINISH TO BE BRONZE PAINTED
- 2) DIFFUSER: GLOSSY WHITE ACRYLIC
- 3) SOCKETS: 3x EDISON BASE MED. 120V. A.C. 50-60Hz. COMPATIBLE W/E26\*A19 SATCO S11504 9W EA, LED 3000K. DIMMABLE. BULBS NOT INCLUDED
- 4) HARD WIRED  
UL/CUL APPROVED  
\*\*\*APPROX MAX. WEIGHT: 15LBS



TOP VIEW  
SCALE: 1 : 15



FRONT VIEW  
SCALE: 1 : 15



**CUSTOM DOME PENDANT**

ITEM NO: K4 QTY: 2PCS

Approval:  Date: \_\_\_\_\_

With comments: \_\_\_\_\_

Signed By: \_\_\_\_\_

Estimated Leads time are contingent upon receiving approved submittals and are subject to change

**BRIGHTVIEW**

HUNT VALLEY, MD

Les Industries CENTURY Industries Inc.  
5645 Royalmount Ave.  
Montreal, Quebec, Canada H4P 2P9  
Tel: 514-842-3933 Fax: 514-842-7481  
Toll free Canada only: 1-877-842-3934  
Date: 2021/05/02 Rev: 2021/06/20  
(yyyy/mm/dd) (yyyy/mm/dd)

Dwg. #



Custom 22" Room Numbered Sconces

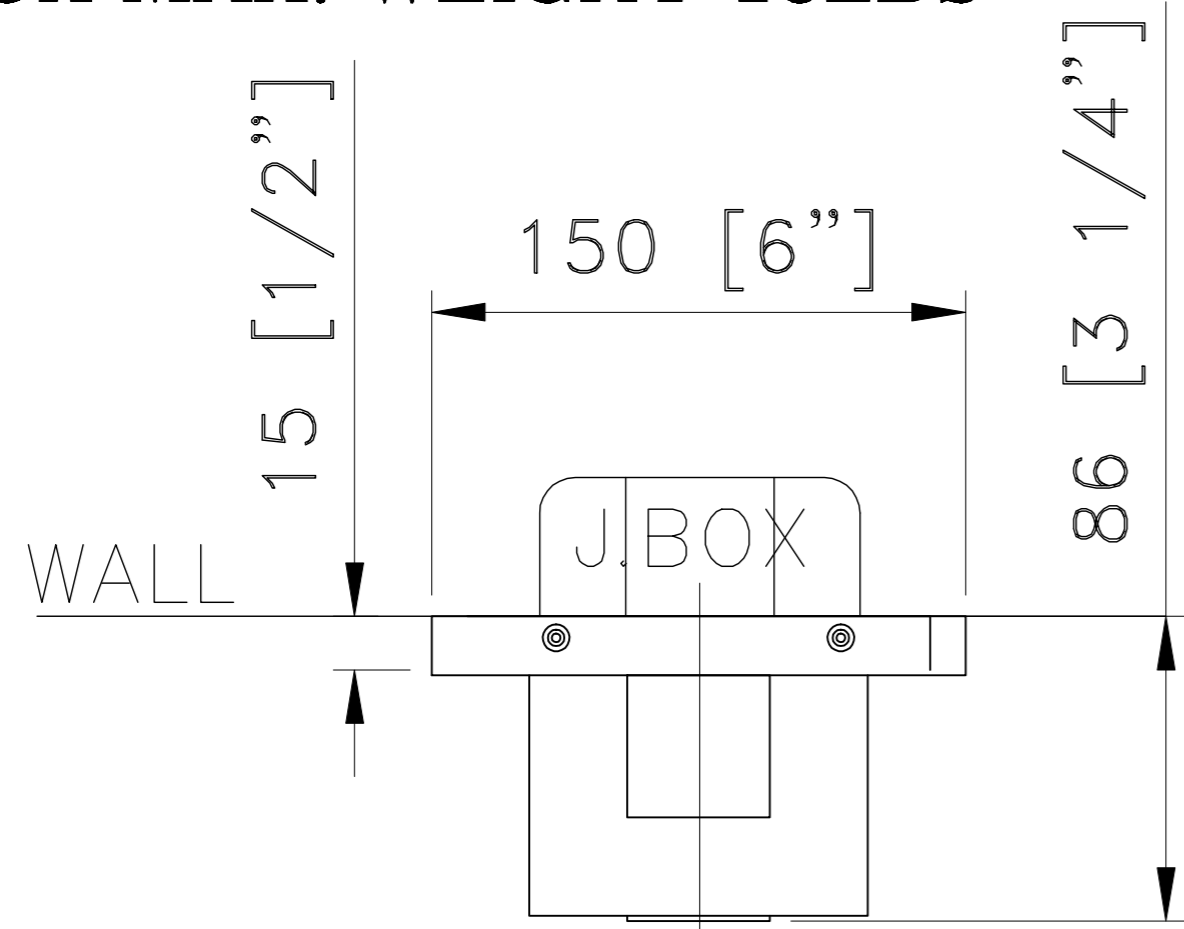


1114



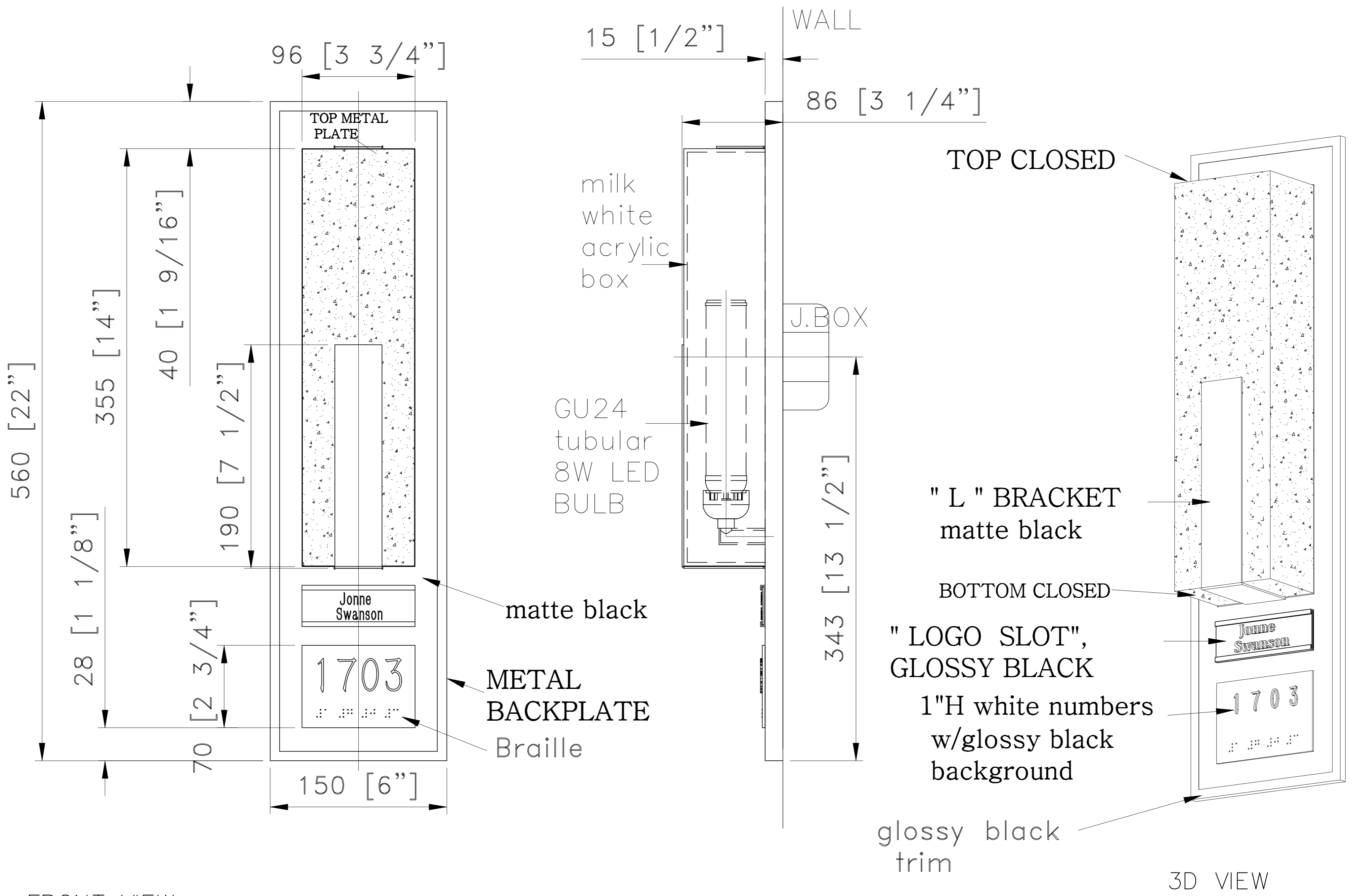
NOTES:

- 1) METAL: ALL EXPOSED METAL FINISH TO BE POWDER COATED "MATTE BLACK" + "GLOSSY BLACK" METAL ACCENTS (TRIM, ROOM NO. BACKGROUND & LOGO SLOT)
- 2) SHADE: MILK WHITE ACRYLIC BOX.
- 3) SOCKET: 1x GU24 BASE, 120V. A.C. 50-60Hz. COMPATIBLE  
W/ TUBULAR GU24 SATCO #S8646 8W LED 3000K. DIMMABLE. BULB NOT INCLUDED
- 4) HARD WIRED; UL/CUL APPROVED
- \*\*\* APPROX MAX. WEIGHT: 18LBS



TOP VIEW

SCALE: 1:5



FRONT VIEW

SCALE: 1:5

SIDE VIEW

SCALE: 1:5

3D VIEW

**CUSTOM WALL SCONCE@ENTRY**

ITEM NO: J15 QTY: 145 PCS +/-

Approval:  Date: \_\_\_\_\_

With comments: \_\_\_\_\_

Signed By: \_\_\_\_\_

Estimated Leads time are contingent upon receiving approved submittals and are subject to change

**BRIGHTVIEW**

HUNT VALLEY, MD

**Les Industries CENTURY Industries Inc.**

5645 Royalmount Ave.

Montreal, Quebec, Canada H4P 2P9

Tel: 514-842-3933 Fax: 514-842-7481

Toll free Canada only: 1-877-842-3934

Date: 2021/05/02

Rev: \_\_\_\_\_

(yyyy/mm/dd)

(yyyy/mm/dd)

Dwg. #

**P 1/1**



EXIT

EXIT

1  
ELEVATOR  
4

1  
3

Custom 16" Elevator Lobby Sconces

Custom 24" Semi-Flush

50  
WELLSPRING  
VILLAGE



NOTES:

1) METAL: ALL EXPOSED METAL FINISH TO BE MATTE BLACK W/ BRASS COLOR METAL ACCENTS

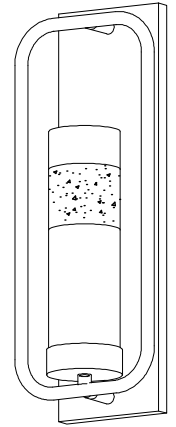
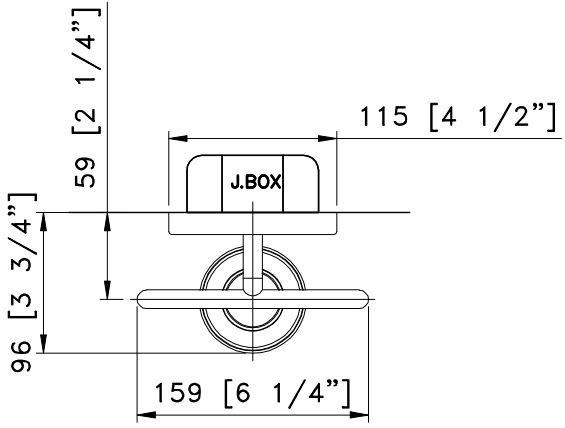
2) SHADE: CLEAR ACRYLIC CYLINDER W/ MIDDLE FROSTED WHITE .

3) SOCKET: 1x CANDELABRA BASE. 120V.A.C. 50-60Hz. COMPATIBLE W/ E12 B10 MAX. 9W EA 3000K. DIMMABLE. BULB NOT INCLUDED

4) HARD WIRED:

UL/CUL APPROVED

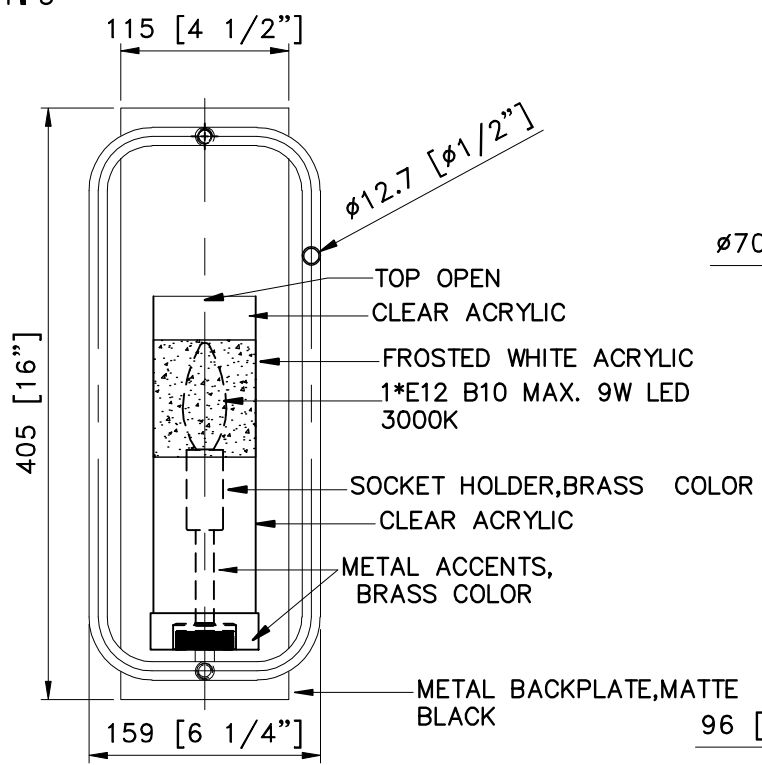
\*\*\*APPROX MAX. WEIGHT: 10LBS



3D VIEW

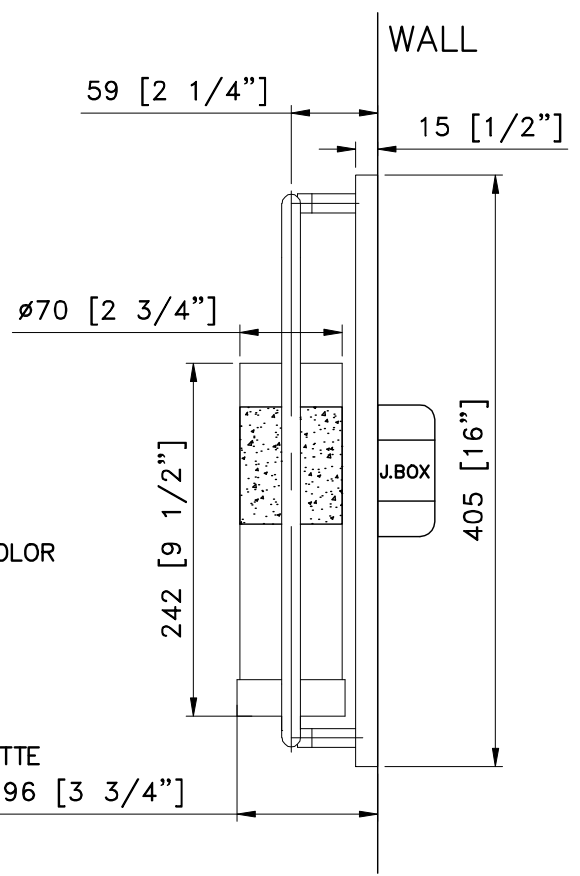
TOP VIEW

SCALE: 1 : 5



FRONT VIEW

SCALE: 1 : 5



SIDE VIEW

SCALE: 1 : 5

**CUSTOM WALL SCNCE**

ITEM NO: J16 QTY: 16 PCS

Approval:  Date: \_\_\_\_\_

With comments: \_\_\_\_\_

Signed By: \_\_\_\_\_

Estimated Leads time are contingent upon receiving approved submittals and are subject to change

**BRIGHTVIEW**

**HUNT VALLEY, MD**

Les Industries CENTURY Industries Inc.  
5645 Royalmount Ave.

Montreal, Quebec, Canada H4P 2P9

Tel: 514-842-3933 Fax: 514-842-7481

Toll free Canada only: 1-877-842-3934

Date: 2021/05/02 Rev: 2021/06/20

(yyyy/mm/dd)

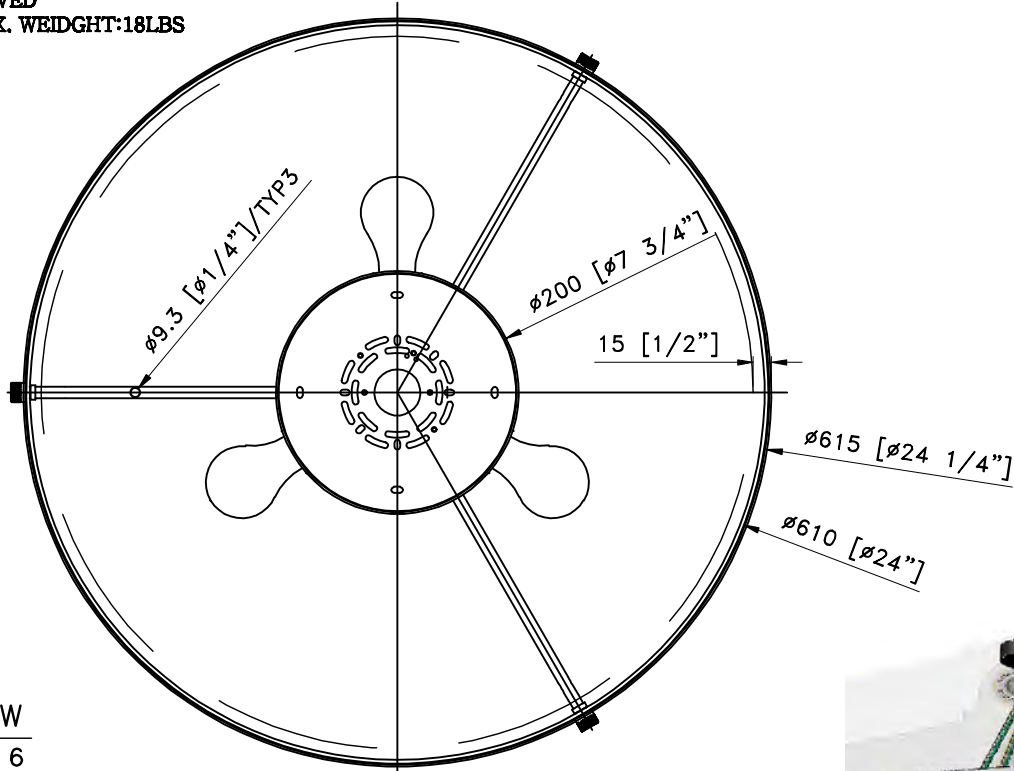
(yyyy/mm/dd)

Dwg. #

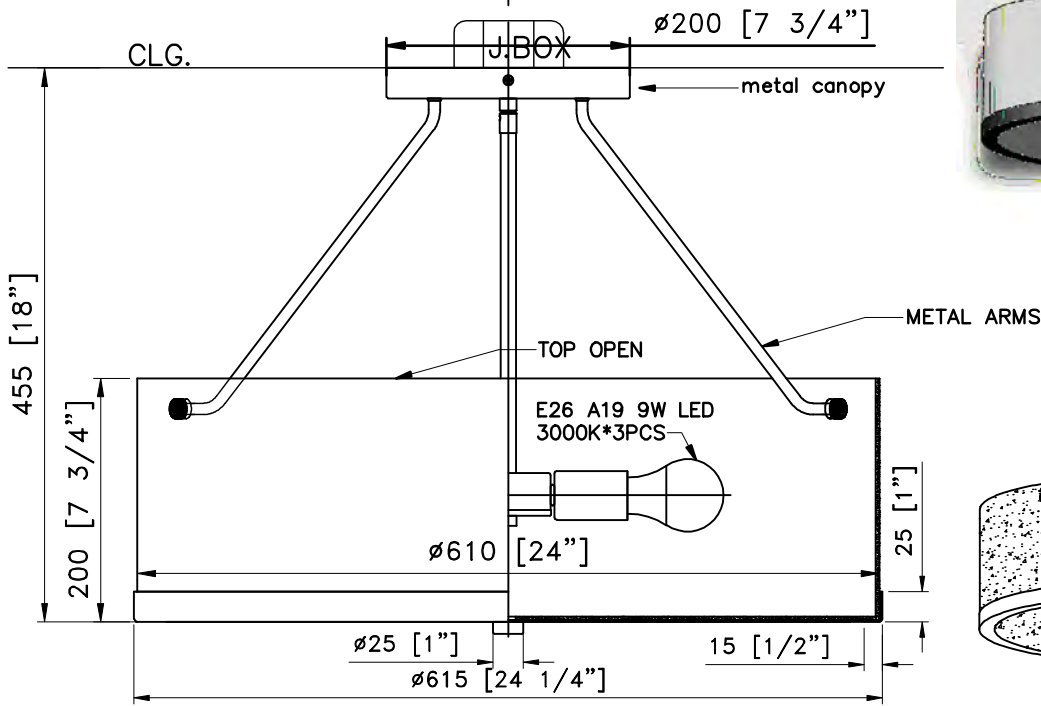




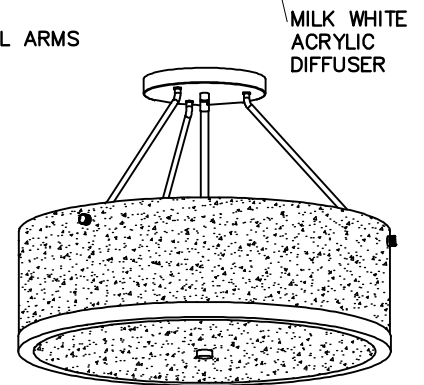
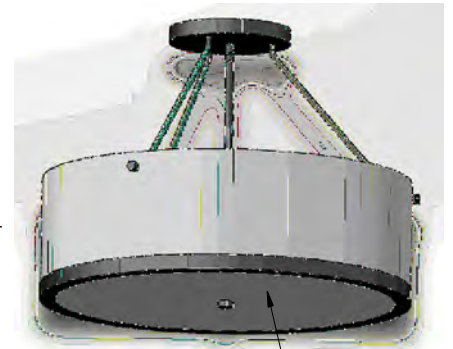
- NOTES:  
 1) METAL: ALL EXPOSED METAL FINISH TO BE POWDER COATED "MATTE BLACK"  
 2) SHADE: MILK WHITE ACRYLIC.  
 3) SOCKETS: 3x EDISON BASE MED. 120V.A.C. 50-60Hz. COMPATIBLE W/E26\*A19  
 SATCO S11504 9W EA, LED 3000K. DIMMABLE. BULBS NOT INCLUDED  
 4) HARD WIRED  
 UL/CUL APPROVED  
 \*\*\*APPROX MAX. WEIDGHT: 18LBS



TOP VIEW  
 SCALE: 1 : 6



FRONT VIEW  
 SCALE: 1 : 6



3D VIEW

**CUSTOM SEMI-FLUSH LIGHT ENTRY**

**BRIGHTVIEW**

ITEM NO: K20 QTY: 24 PCS

HUNT VALLEY, PA

Approval:  Date: \_\_\_\_\_

With comments: \_\_\_\_\_

Signed By: \_\_\_\_\_

Estimated Leads time are contingent upon receiving approved submittals and are subject to change

Les Industries CENTURY Industries Inc.  
 5645 Royalmount Ave.  
 Montreal, Quebec, Canada H4P 2P9  
 Tel: 514-842-3933 Fax: 514-842-7481  
 Toll free Canada only: 1-877-842-3934  
 Date: 2021/05/02 Rev: \_\_\_\_\_

Dwg. #

(yyyy/mm/dd)

(yyyy/mm/dd)

P 1/1

joe kraus lighting 

301-537-5808

[joe@joekrauslighting.com](mailto:joe@joekrauslighting.com)

[www.joekrauslighting.com](http://www.joekrauslighting.com)