



CENTURY

LIGHTING | ART | DESIGN

joekrauslighting

301-537-5808

joe@joekrauslighting.com

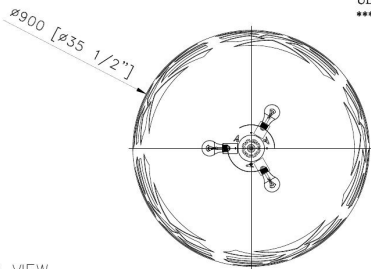
www.joekrauslighting.com



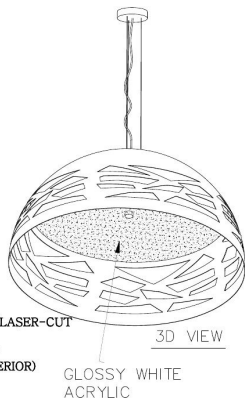
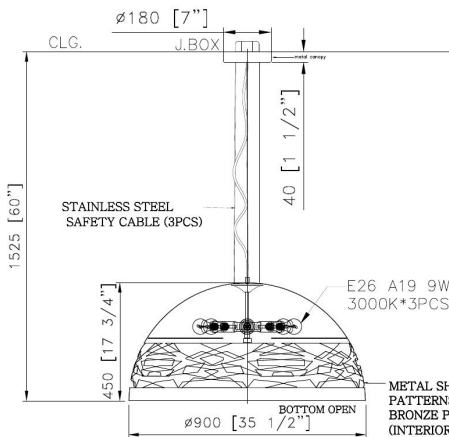


NOTES:

- 1) METAL: ALL EXPOSED METAL FINISH TO BE BRONZE PAINTED
 - 2) DIFFUSER: GLOSSY WHITE ACRYLIC
 - 3) SOCKETS: 3x EDISON BASE MED. 120V. A.C. 50-60Hz. COMPATIBLE W/ E26* A19 SATCO S11504 9W EA, LED 3000K. DIMMABLE. BULBS NOT INCLUDED
 - 4) HARD WIRED
UL/CUL APPROVED
- ***APPROX MAX. WEIGHT: 15LBS



TOP VIEW
SCALE: 1 : 15



FRONT VIEW
SCALE: 1 : 15

CUSTOM DOME PENDANT

ITEM NO: K4 QTY: 2PCS

Approval: Date: _____

With comments: _____

Signed By: _____

Estimated Leads time are contingent upon receiving approved submittals and are subject to change

BRIGHTVIEW

HUNT VALLEY, MD

Les Industries CENTURY Industries Inc.

5645 Royalmount Ave.

Montreal, Quebec, Canada H4P 2P9

Tel: 514-842-3933 Fax: 514-842-7481

Toll free Canada only: 1-877-842-3934

Date: 2021/05/02 Rev: 2021/06/20

(yyyy/mm/dd)

(yyyy/mm/dd)

Dwg. #

P 1/1