



CENTURY

LIGHTING | ART | DESIGN

joekrauslighting

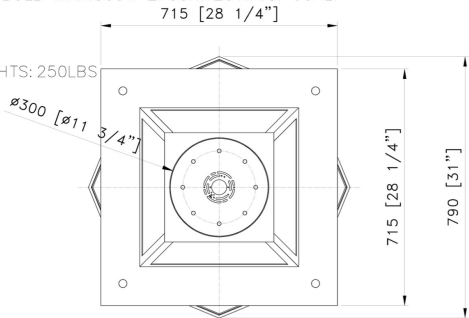
301-537-5808

joe@joekrauslighting.com

www.joekrauslighting.com



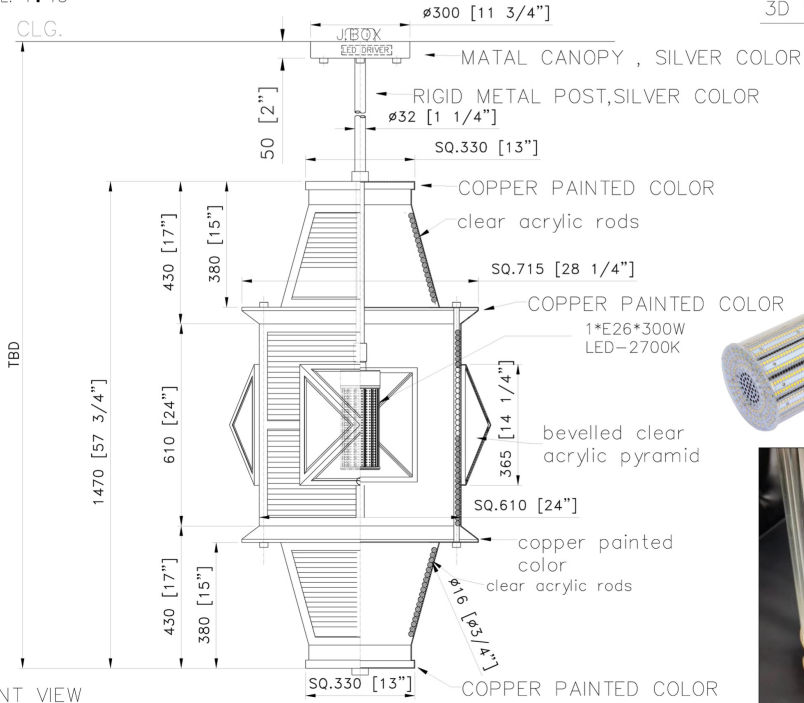
- NOTES:
 1)METAL: ALL EXPOSED METAL FINISH TO BE SILVER&COPPER PAINTED COLOR. REFER TO COLOR LAYOUT AS PER 3D RENDERING
 2)SHADE: CLEAR ACRYLIC RODS+4PCS*CLEAR BEVELLED ACRYLIC PYRAMID
 3)LAMPING: 1*E39 LED BULB MAX.300W 2700K,120V,A.C. 60Hz. BULB NOT INCLUDED
 4)HARD WIRED
 UL/CUL APPROVED
 ***APPROX MAX. WEIGHTS: 250LBS



TOP VIEW
 SCALE: 1 : 15



3D VIEW



FRONT VIEW
 SCALE: 1 : 15



1*E26*300W LED-2700K. BULB NOT INCLUDED



clear acrylic rods

CUSTOM GLASS PENDANT

ITEM NO: CEN-CP-0792 QTY: 1X

Fords Fish Shack

Approval: Date: _____

With comments: _____

Signed By: _____

Estimated Leads time are contingent upon receiving approved submittals and are subject to change

Les Industries CENTURY Industries Inc.
 5645 Royalmount Ave. Dwg. #
 Montreal, Quebec, Canada H4P 2P9
 Tel:514-842-3933 Fax:514-842-7481
 Toll free Canada only:1-877-842-3934
 Date:2023/10/04 Rev:2024/05/03
 (yyyy/mm/dd) (yyyy/mm/dd)

