



CENTURY

LIGHTING | ART | DESIGN

joekrauslighting

301-537-5808

joe@joekrauslighting.com

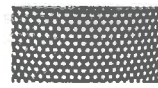
www.joekrauslighting.com



A

NOTES:

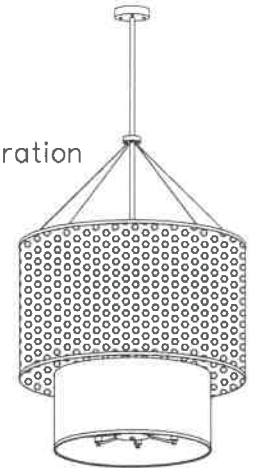
- 1)METAL: ALL EXPOSED METAL FINISH TO BE MATTE BLACK
- 2)SHADE: TWO TIER SHADE,BLACK METAL ROUND FILIGREE PERFORATION(TOP) ROUND WOOD VENEER(BOTTOM),COLOR TO MATCH WILSONART 8208K-16.
- 3)SOCKET:18xEDISON BASE MED.110V-120V.AC.60Hz.COMPATIBLE W/E26 A19 MAX.9W EA LED 2700K. DIMMABLE. BULB NOT INCLUDED
- 4)HARD WIRED
- UL/CUL APPROVED
- ***APPROX MAX. WEIGHTS: 45LBS



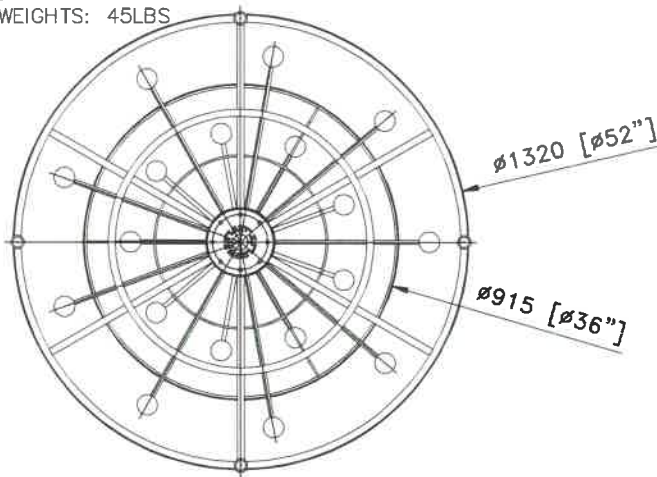
black steel filigree perforation



WOOD VENEER SHADE INSPIRATION

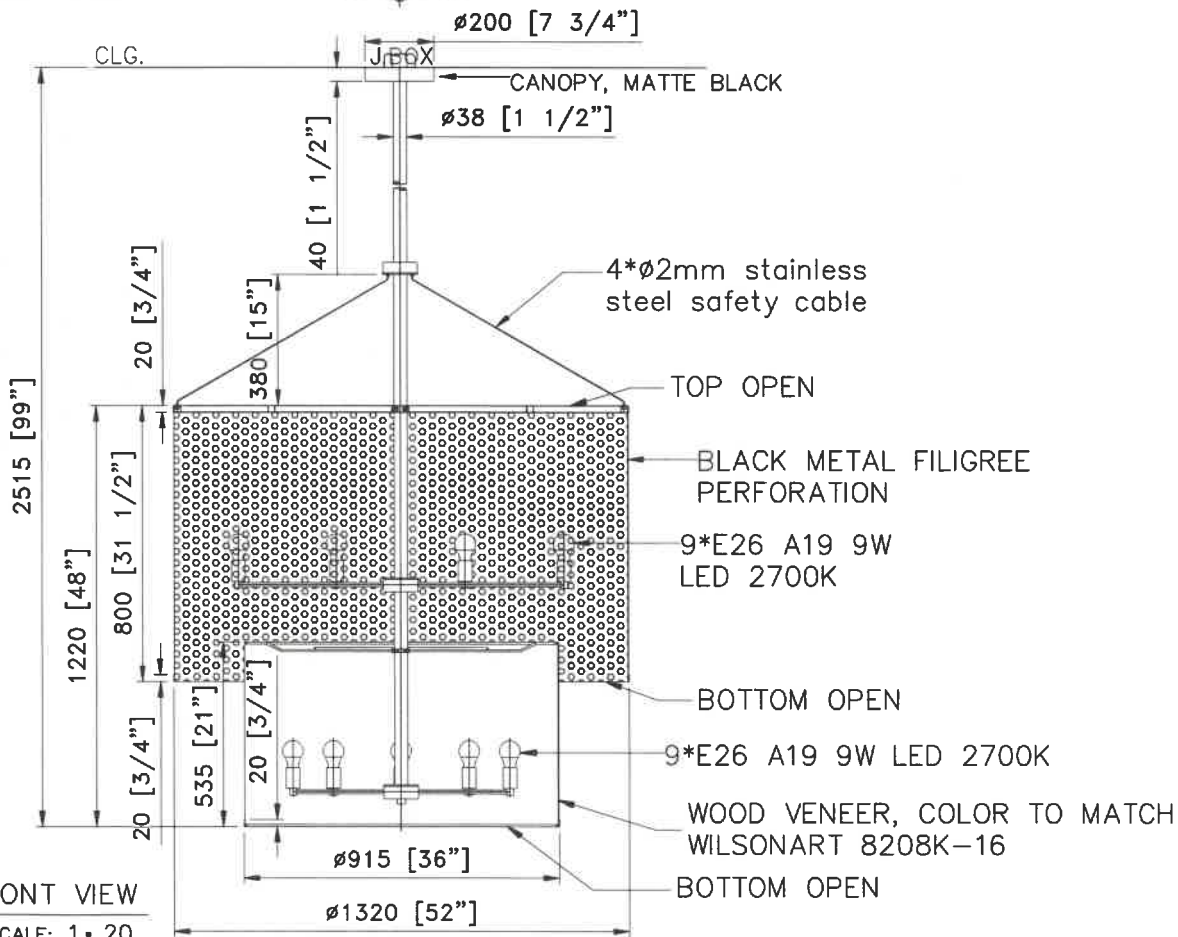


3D VIEW



TOP VIEW

SCALE: 1 = 20



FRONT VIEW

SCALE: 1 = 20

CUSTOM OVERSIZED CHANDELIER @ENTRY LOUNGE 1ST FLOOR

ITEM NO:A1 QTY: 1X

Exton Knoll Clubhouse

Exton City, PA

Approval: Date: 9.15.22

With comments: APPROVED BY BUILDERS DESIGN SARAH FRANZ

Signed By: _____

Estimated Leads time are contingent upon receiving approved submittals and are subject to change

Les Industries CENTURY Industries Inc.
 5645 Royalmount Ave.
 Montreal, Quebec, Canada H4P 2P9
 Tel:514-842-3933 Fax:514-842-7481
 Toll free Canada only:1-877-842-3934
 Date:2022/09/12 Rev: _____

Dwg. #

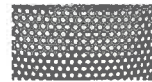
(yyyy/mm/dd)

(yyyy/mm/dd)

P 1/1

NOTES:

- 1)METAL: ALL EXPOSED METAL FINISH TO BE MATTE BLACK
- 2)SHADE: TWO TIER SHADE,BLACK METAL ROUND FILIGREE PERFORATION(EXTERIOR) ROUND WOOD VENEER(INTERIOR),COLOR TO MATCH WILSONART 8208K-16.
- 3)SOCKET: 14xEDISON BASE MED.110V-120V.AC.60Hz.COMPATIBLE W/E26 A19 MAX.9W EA LED 2700K. DIMMABLE. BULB NOT INCLUDED
- 4)HARD WIRED
- UL/CUL APPROVED
- ***APPROX MAX. WEIGHTS: 45LBS



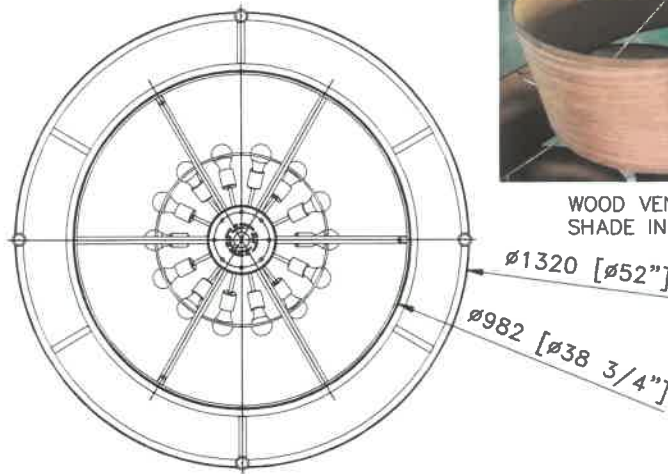
black steel filigree perforation



3D VIEW

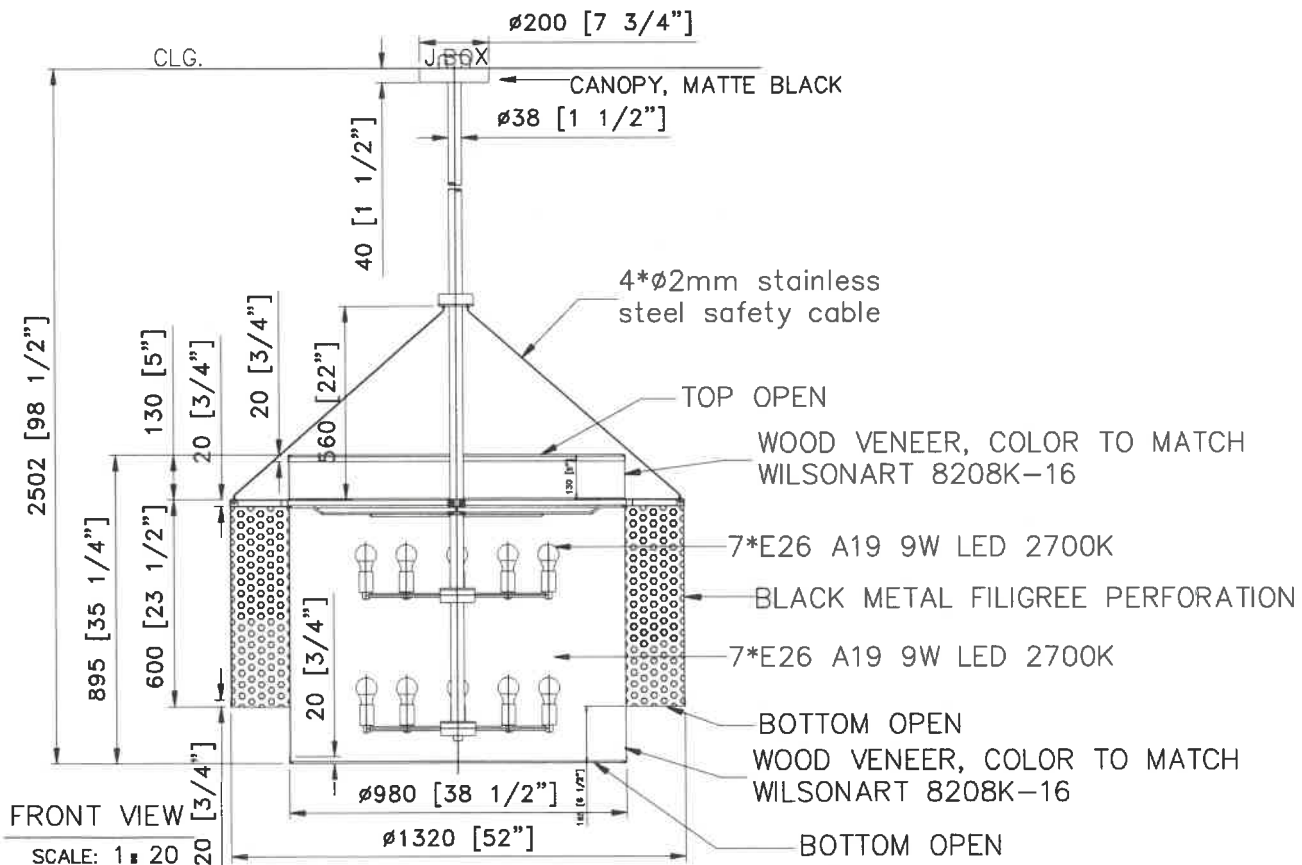


WOOD VENEER SHADE INSPIRATION



TOP VIEW

SCALE: 1 = 20



FRONT VIEW

SCALE: 1 = 20

CUSTOM OVERSIZED CHANDELIER @ENTRY LOUNGE 1ST FLOOR

ITEM NO:A2 QTY: 1X

Exton Knoll Clubhouse

Exton City, PA

Approval: Date: 9.15.22

With comments: APPROVED BY BUILDERS DESIGN SARAH FRANZ

Signed By: _____

Estimated Leads time are contingent upon receiving approved submittals and are subject to change

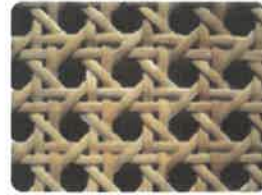
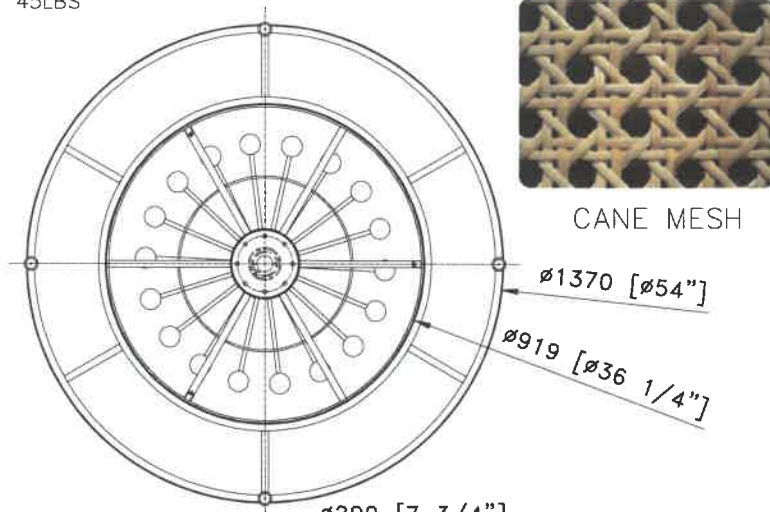
Les Industries CENTURY Industries Inc.
 5645 Royalmount Ave.
 Montreal, Quebec, Canada H4P 2P9
 Tel:514-842-3933 Fax:514-842-7481
 Toll free Canada only:1-877-842-3934
 Date:2022/0912 Rev: _____
 (yyyy/mm/dd) (yyyy/mm/dd)

Dwg. #

P 1/1

NOTES:

- 1)METAL: ALL EXPOSED METAL FINISH TO BE MATTE BLACK
- 2)SHADE: TWO TIER SHADE,CANE MESH DRUM (EXTERIOR)+WHITE LINEN ON STYRENE HARDBACK(INTERIOR)
- 3)SOCKET: 18xEDISON BASE MED.110V-120V.AC.60Hz.COMPATIBLE W/E26 A19
MAX.9W EA LED 2700K. DIMMABLE. BULB NOT INCLUDED
- 4)HARD WIRED
UL/CUL APPROVED
- ***APPROX MAX. WEIGHTS: 45LBS



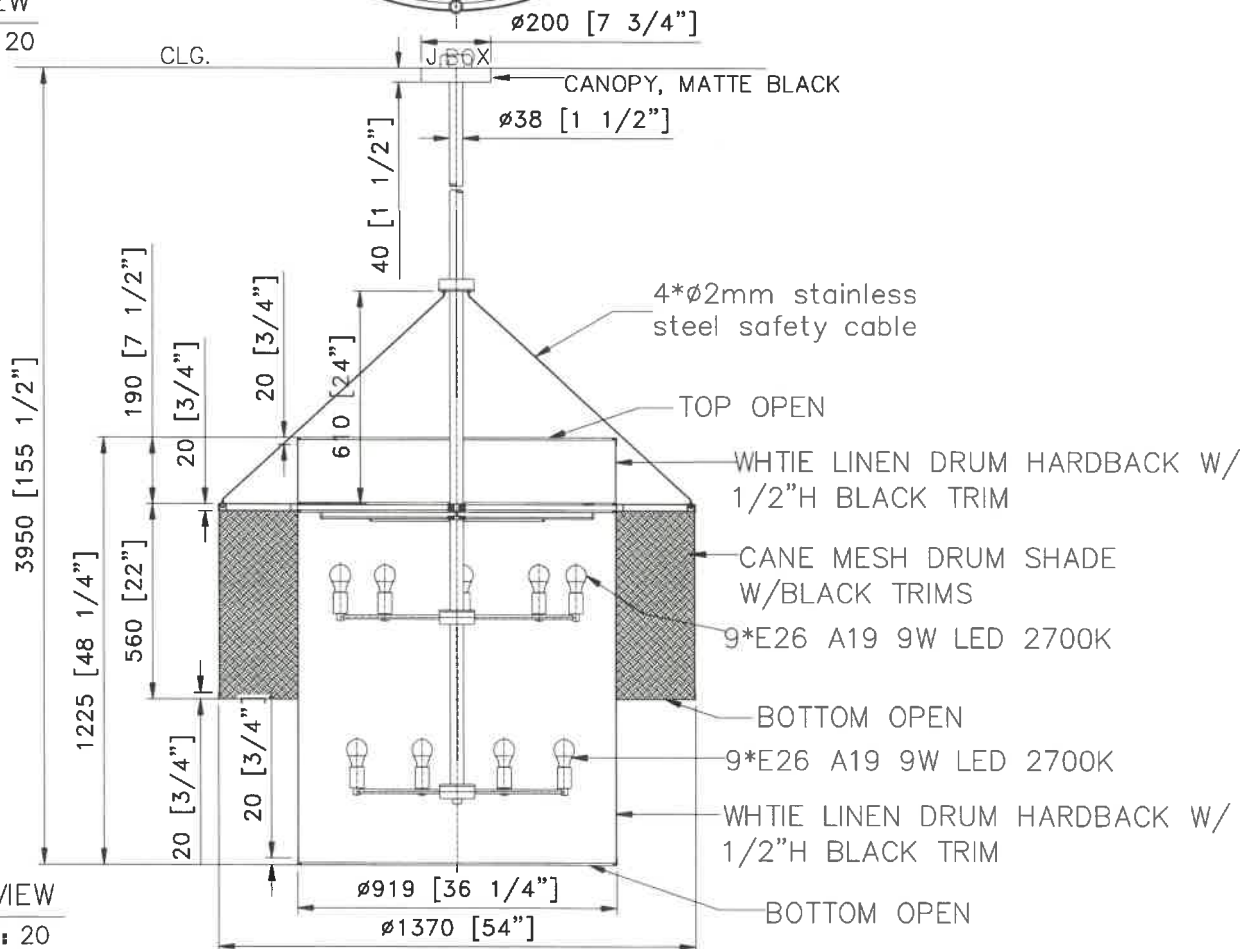
CANE MESH



3D VIEW

TOP VIEW

SCALE: 1: 20



FRONT VIEW

SCALE: 1: 20

CUSTOM OVERSIZED CHANDELIER @ENTRY LOUNGE 1ST FLOOR

ITEM NO:A3 QTY: 1X

Exton Knoll Clubhouse

Exton City, PA

Approval: Date: 9.20.22

With comments: _____

Signed By: BUILDERS DESIGN/ SARAH FRANZ

Estimated Leads time are contingent upon receiving approved submittals and are subject to change

Les Industries CENTURY Industries Inc.

5645 Royalmount Ave.

Dwg. #

Montreal, Quebec, Canada H4P 2P9

Tel:514-842-3933 Fax:514-842-7481

Toll free Canada only:1-877-842-3934

Date:2022/09/12 Rev: _____

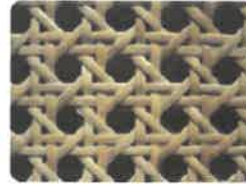
(yyyy/mm/dd)

(yyyy/mm/dd)

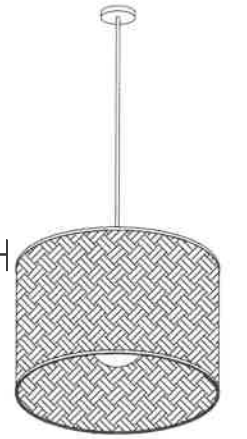
P 1/1

NOTES:

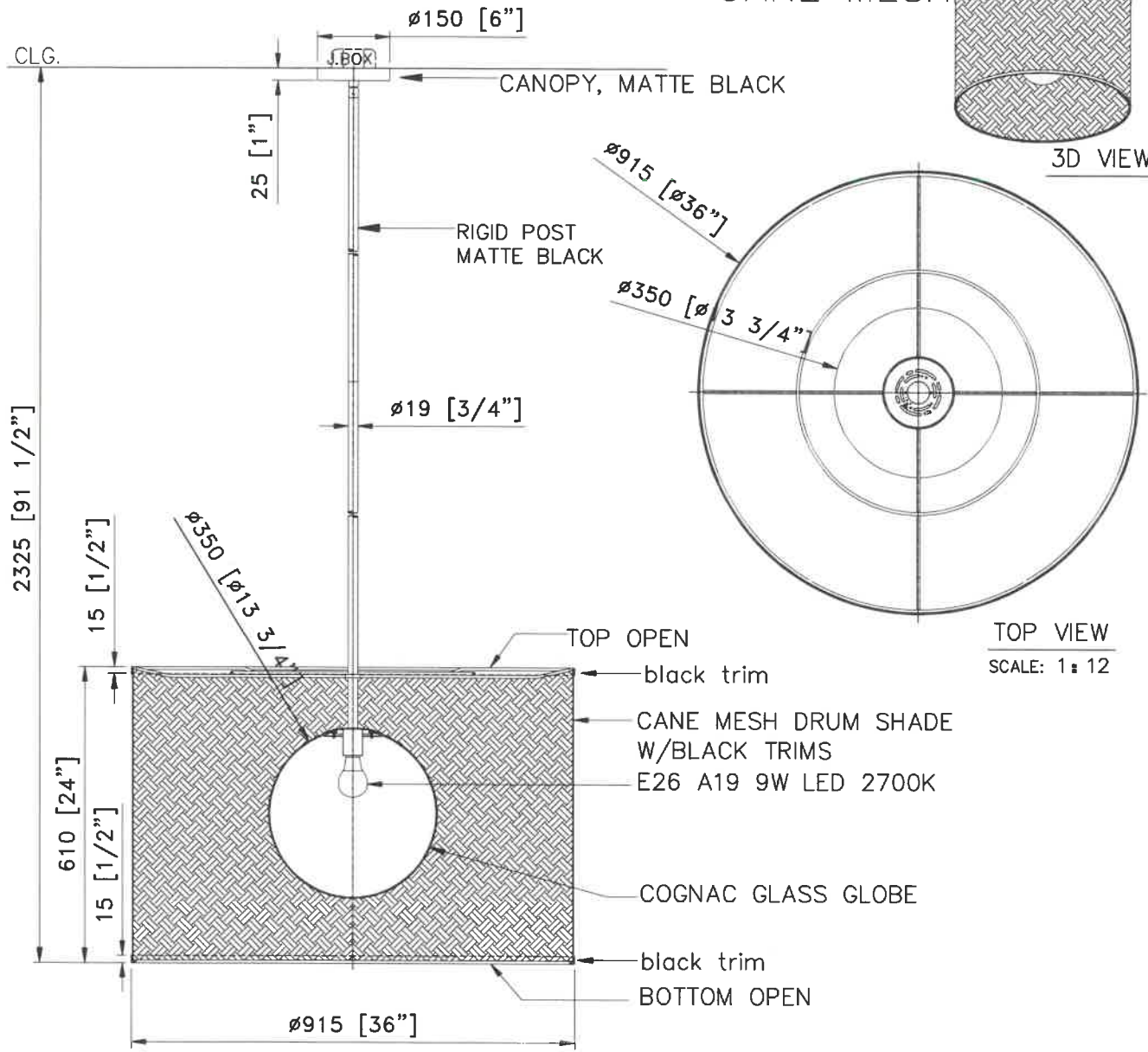
- 1)METAL: ALL EXPOSED METAL FINISH TO BE MATTE BLACK
 - 2)SHADE: CANE MESH DRUM SHADE W/BLACK TRIMS
 - 3)DIFFUSER: 1*COGNAC GLASS GLOBE
 - 4)SOCKET: 1xEDISON BASE MED.110-120V.A.C.60Hz.COMPATIBLE W/E26 A19 MAX.9W LED 2700K. DIMMABLE. BULB NOT INCLUDED
 - 5)HARD WIRED
- UL/CUL APPROVED
 ***APPROX MAX. WEIGHTS:18LBS



CANE MESH



3D VIEW



FRONT VIEW

SCALE: 1: 12

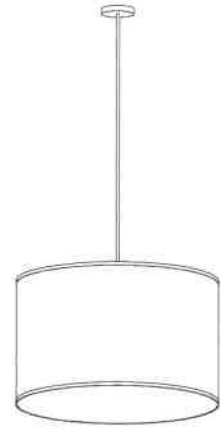
TOP VIEW

SCALE: 1: 12

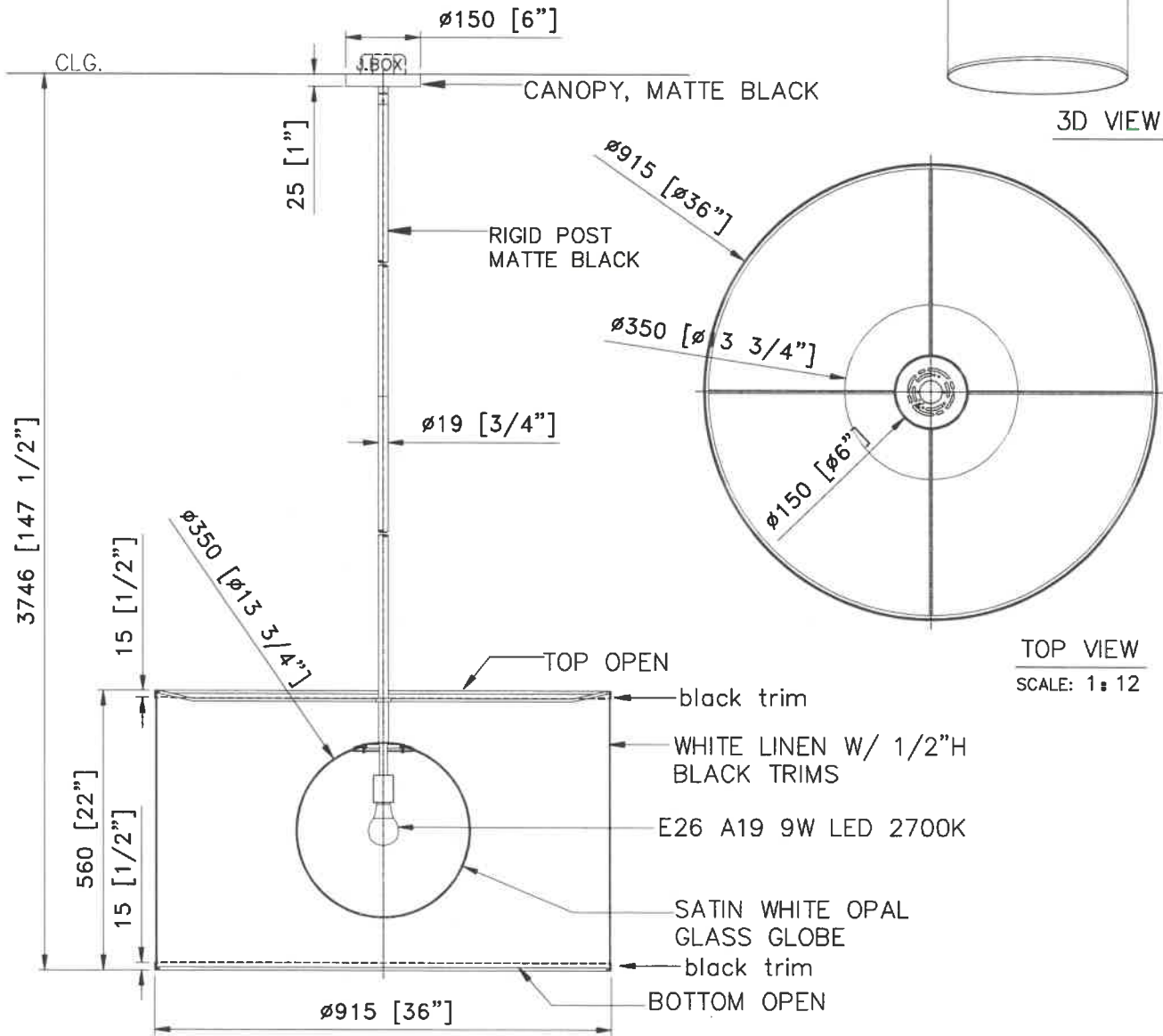
CUSTOM OVERSIZED CHANDELIER @ENTRY LOUNGE 1ST FLOOR		Exton Knoll Clubhouse	
ITEM NO:A4	QTY: 1X	Exton City, PA	
Approval: <input checked="" type="checkbox"/>	Date: 9.20.22	Les Industries CENTURY Industries Inc.	
With comments: _____		5645 Royalmount Ave. Dwg. #	
Signed By: BUILDERS DESIGN/ SARAH FRANZ		Montreal, Quebec, Canada H4P 2P9	
Estimated Leads time are contingent upon receiving approved submittals and are subject to change		Tel:514-842-3933 Fax:514-842-7481	
		Toll free Canada only:1-877-842-3934	
		Date:2022/09/12 Rev: 2022/09/17	
		(yyyy/mm/dd) (yyyy/mm/dd)	
		P 1/1	

NOTES:

- 1)METAL: ALL EXPOSED METAL FINISH TO BE MATTE BLACK
- 2)SHADE: WHITE LINEN ON STYRENE HARDBACK, W/BLACK TRIMS
- 3)DIFFUSER: 1*SATIN WHITE OPAL GLASS GLOBE
- 4)SOCKET: 1xEDISON BASE MED.110-120V.A.C.60Hz.COMPATIBLE W/E26 A19 EA MAX.9W LED 2700K. DIMMABLE. BULB NOT INCLUDED
- 5)HARD WIRED
- UL/CUL APPROVED
- ***APPROX MAX. WEIGHTS: 18LBS



3D VIEW



FRONT VIEW

SCALE: 1:12

TOP VIEW

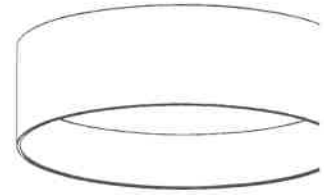
SCALE: 1:12

CUSTOM OVERSIZED CHANDELIER ENTRY LOUNGE 1ST FLOOR		Exton Knoll Clubhouse	
ITEM NO: A6	QTY: 1X	Exton City, PA	
Approval: <input type="checkbox"/> <input checked="" type="checkbox"/>	Date: 9.20.22	Dwg. #	
With comments:		Les Industries CENTURY Industries Inc.	
Signed By: BUILDERS DESIGN/ SARAH FRANZ		5645 Royalmount Ave.	
Estimated Leads time are contingent upon receiving approved submittals and are subject to change		Montreal, Quebec, Canada H4P 2P9	
		Tel: 514-842-3933 Fax: 514-842-7481	
		Toll free Canada only: 1-877-842-3934	
		Date: 2022/09/12 Rev: 2022/09/17	
		(yyyy/mm/dd) (yyyy/mm/dd)	
		P 1/1	

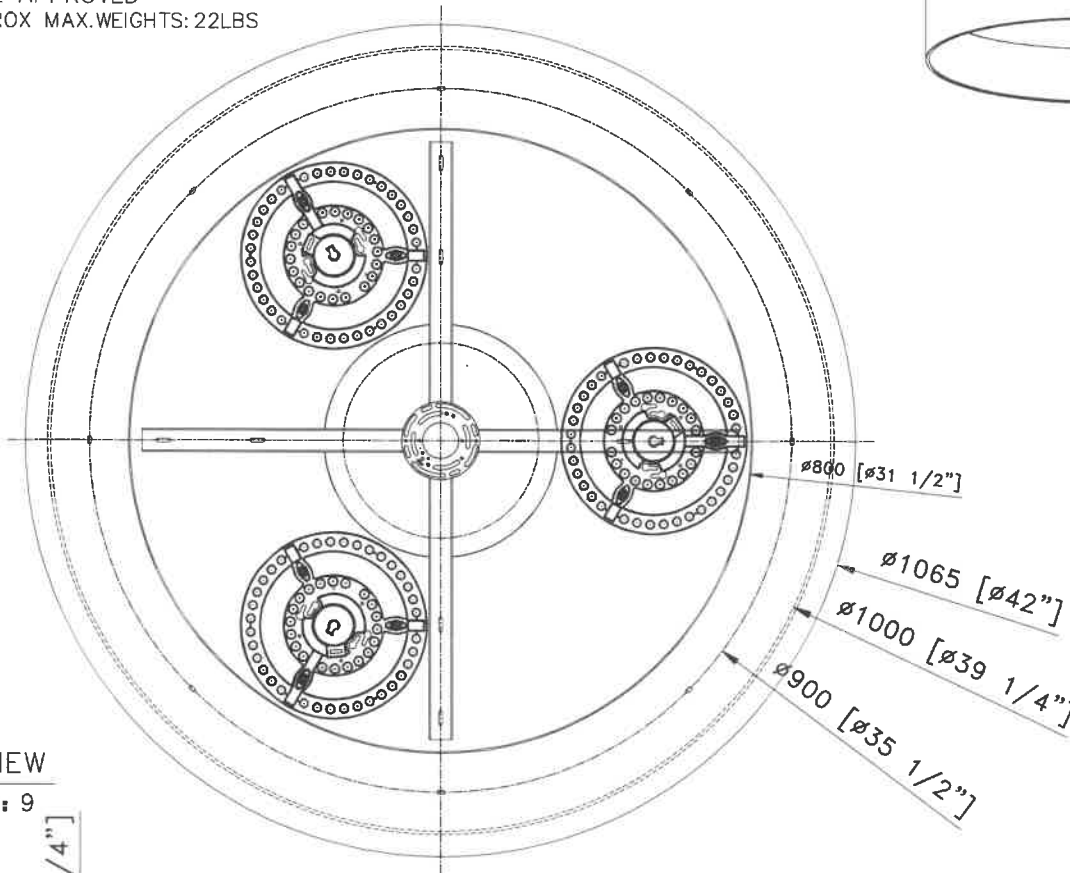


NOTES:

- 1) METAL: ALL UN-EXPOSED METAL FINISH TO BE MATTE WHITE PAINTED
- 2) SHADE: FAUX WOOD (INTERIOR) TO MATCH WILSONART 8208K-16
BLACK LINEN ON HARDBACK (EXTERIOR)
- 3) DIFFUSER: GLOSSY WHITE ACRYLIC
- 4) LAMPING: INTEGRATED LED AC 120 60W 2700K. DIMMABLE. DRIVERLESS.
- 5) HARD WIRED, 120V.A.C 60Hz
- UL/CUL APPROVED
- ***APPROX MAX.WEIGHTS: 22LBS

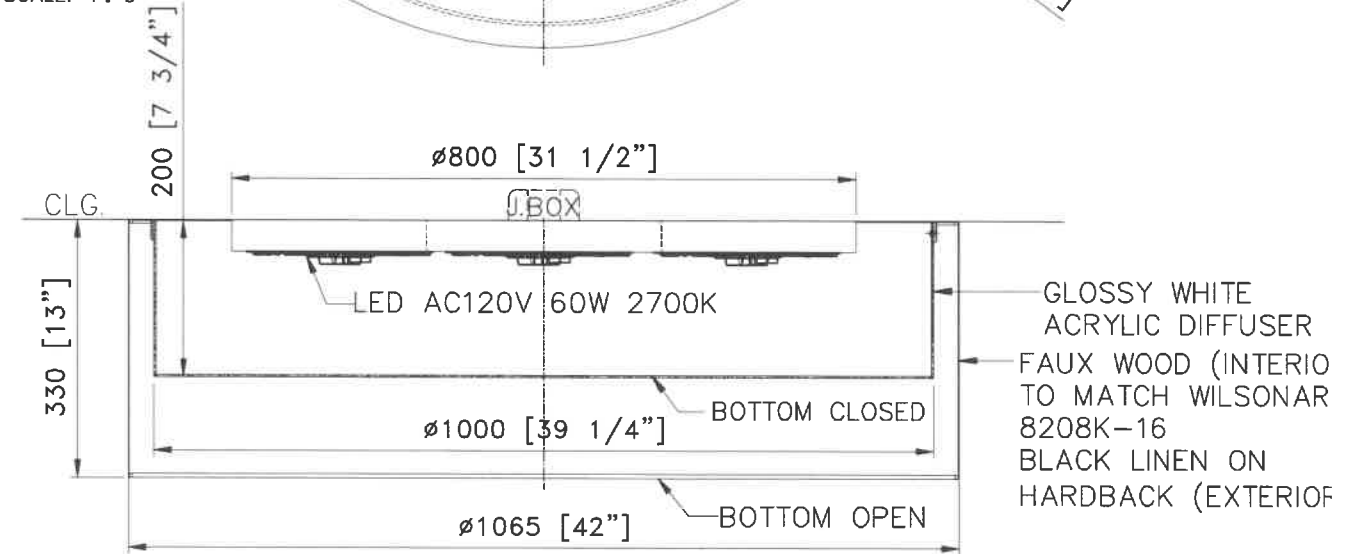


3D VIEW



TOP VIEW

SCALE: 1 : 9



FRONT VIEW

SCALE: 1 : 9

CUSTOM SURFACE MOUNT LIGHT @LEASING AREA 1ST FLOOR

ITEM NO: B QTY: 3X

Exton Knoll Clubhouse

Exton City, PA

Approval: Date: 9.20.22

With comments: _____

Signed By: BUILDERS DESIGN/ SARAH FRANZ

Estimated Leads time are contingent upon receiving approved

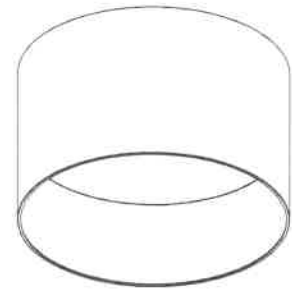
Les Industries CENTURY Industries Inc.
 5645 Royalmount Ave.
 Montreal, Quebec, Canada H4P 2P9
 Tel: 514-842-3933 Fax: 514-842-7481
 Toll free Canada only: 1-877-842-3934
 Date: 2022/09/12 Rev: 2022/09/17

Dwg. #

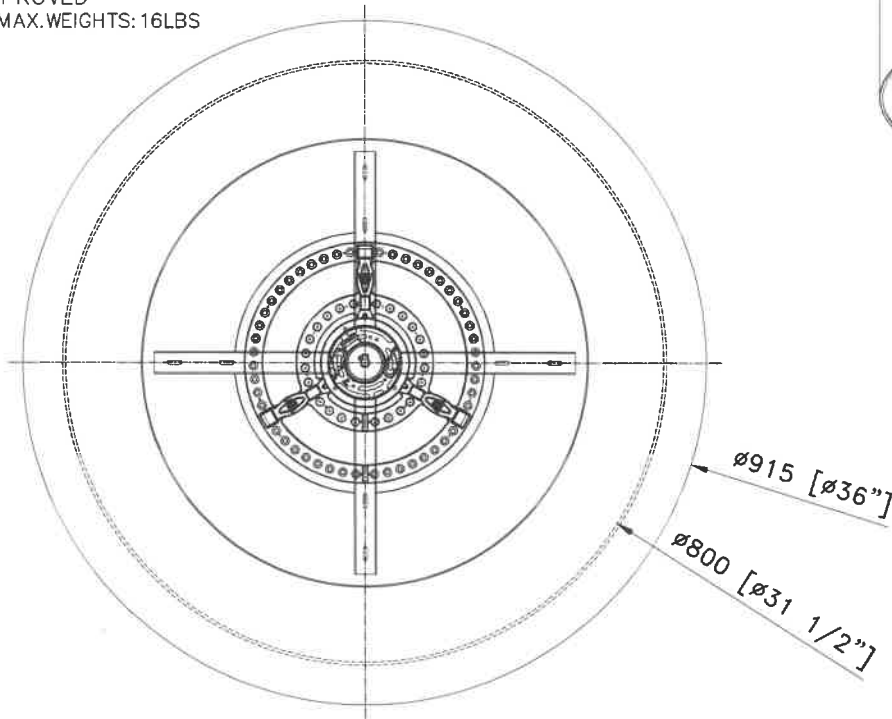
P

NOTES:

- 1) METAL: ALL UN-EXPOSED METAL FINISH TO BE MATTE WHITE PAINTED
- 2) SHADE: FAUX WOOD (INTERIOR) TO MATCH WILSONART 8208K-16
BLACK LINEN ON HARDBACK (EXTERIOR)
- 3) DIFFUSER: GLOSSY WHITE ACRYLIC
- 4) LAMPING: INTEGRATED LED AC 120V 32W 2700K. DIMMABLE. DRIVERLESS
- 5) HARD WIRED, 120V.A.C.60Hz.
UL/CUL APPROVED
- ***APPROX MAX.WEIGHTS: 16LBS

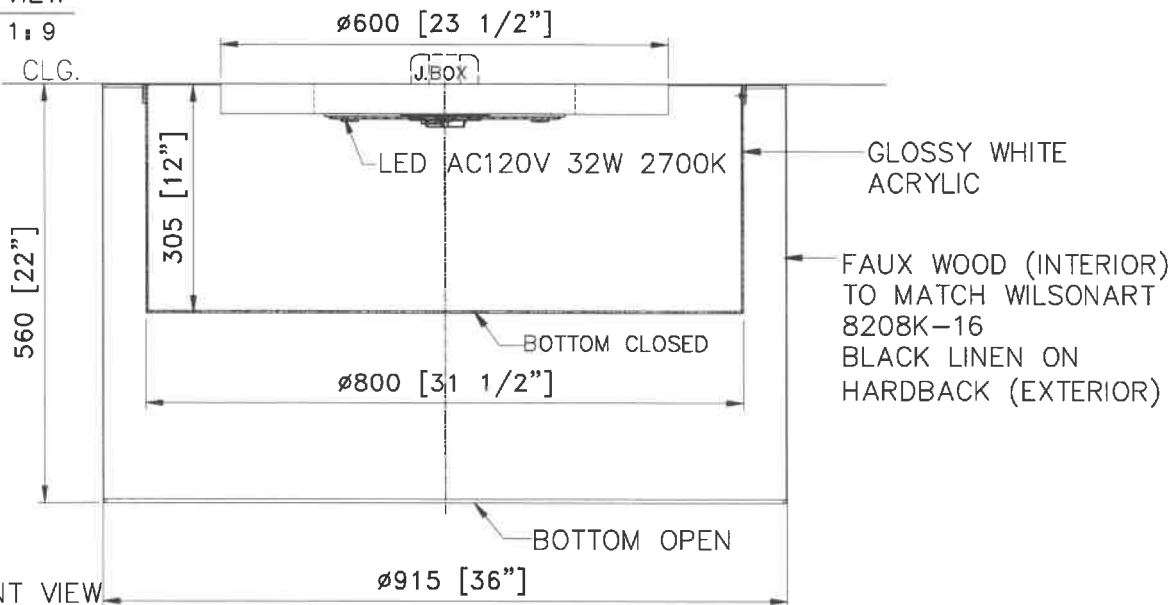


3D VIEW



TOP VIEW

SCALE: 1:9



FRONT VIEW

SCALE: 1:9

CUSTOM SURFACE MOUNT LIGHT @SOCIAL LOUNGE & FIREPLACE

ITEM NO: F1 QTY: 3X

Exton Knoll Clubhouse

Exton City, PA

Approval: Date: 9.20.22

With comments: _____

Signed By BUILDERS DESIGN/ SARAH FRANZ

Estimated Leads time are contingent upon receiving approved submittals and are subject to change

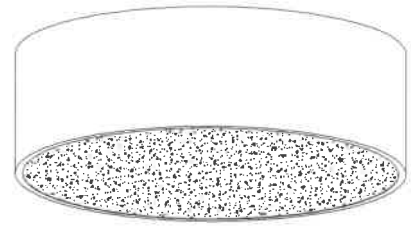
Les Industries CENTURY Industries Inc.
5645 Royalmount Ave.
Montreal, Quebec, Canada H4P 2P9
Tel: 514-842-3933 Fax: 514-842-7481
Toll free Canada only: 1-877-842-3934
Date: 2022/09/12 Rev: 2022/09/17
(yyyy/mm/dd) (yyyy/mm/dd)

Dwg. #

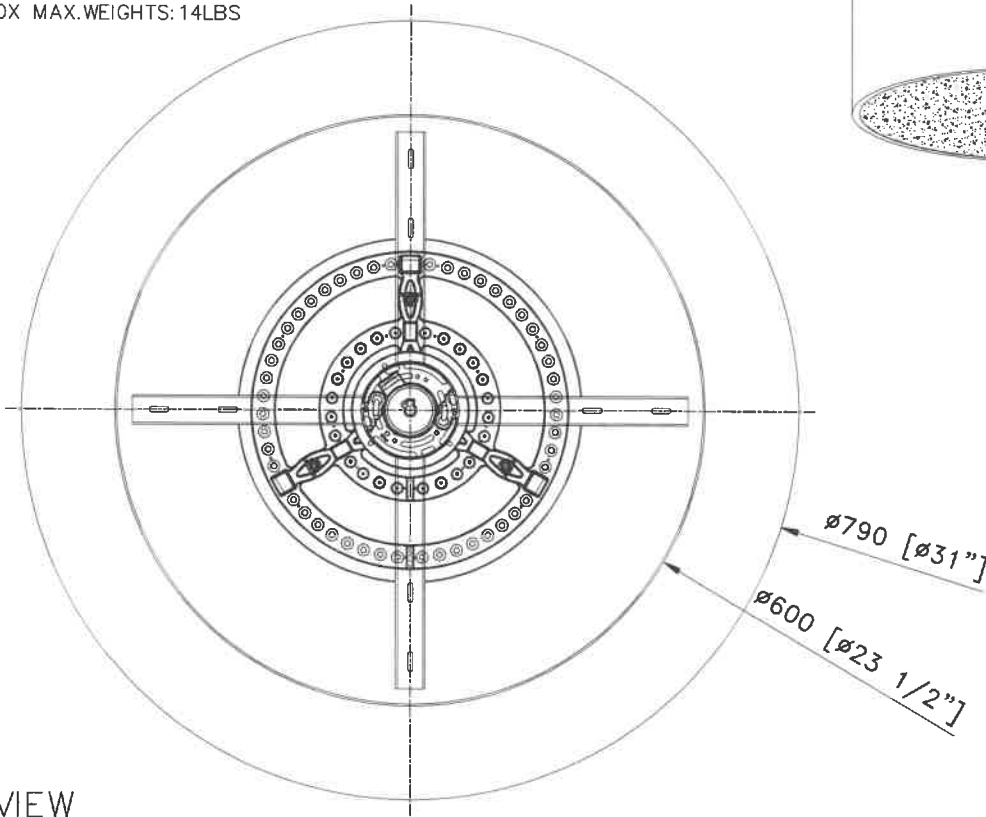
P 1/1

NOTES:

- 1) METAL: ALL UN-EXPOSED METAL FINISH TO BE MATTE WHITE PAINTED
 - 2) SHADE: FAUX WOOD TO MATCH WILSONART 8208K-16
 - 3) DIFFUSER: GLOSSY WHITE ACRYLIC (BOTTOM)
 - 4) LAMPING: INTEGRATED LED AC 120V 32W 2700K. DIMMABLE. DRIVERLESS
 - 5) HARD WIRED, 120V.A.C.60Hz.
- UL/CUL APPROVED
 ***APPROX MAX.WEIGHTS: 14LBS

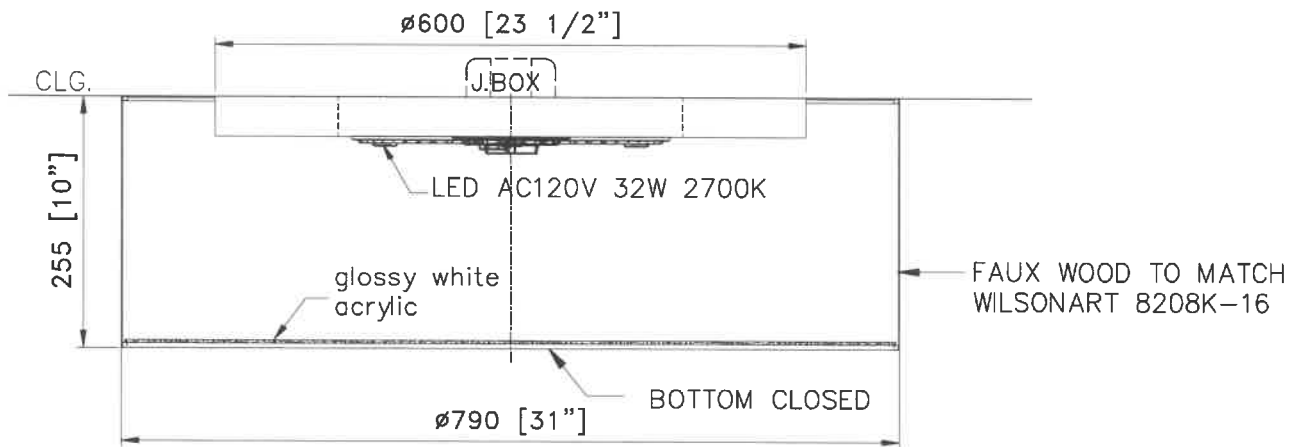


3D VIEW



TOP VIEW

SCALE: 1 : 7



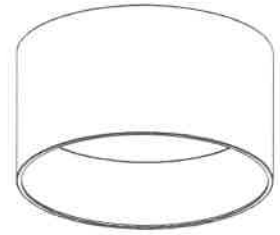
FRONT VIEW

SCALE: 1 : 7

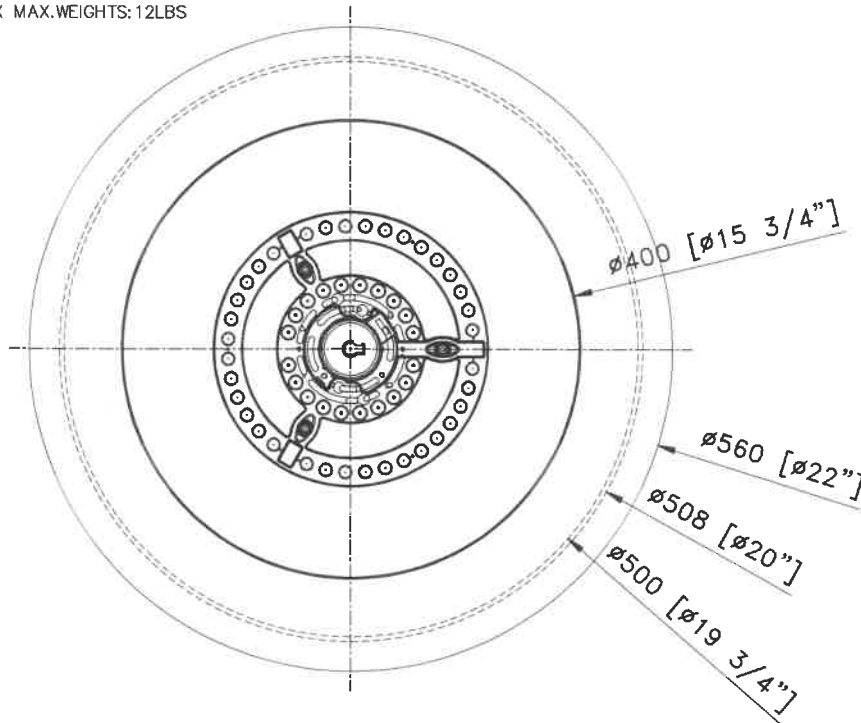
CUSTOM FLUSH MOUNT LIGHT @SOCIAL LOUNGE 1ST FLOOR @VISTA LOUNGE		Exton Knoll Clubhouse
ITEM NO: F2 QTY: 3X		Exton City, PA
Approval: <input type="checkbox"/> <input checked="" type="checkbox"/> Date: 9.20.22	Les Industries GENTURY Industries Inc.	
With comments: _____	5645 Royalmount Ave. Dwg. #	
_____	Montreal, Quebec, Canada H4P 2P9	
Signed By: BUILDERS DESIGN/ SARAH FRANZ	Tel: 514-842-3933 Fax: 514-842-7481	
Estimated Leads time are contingent upon receiving approved submittals and are subject to change	Toll free Canada only: 1-877-842-3934	
	Date: 2022/09/12 Rev: 2022/09/17	
	(yyyy/mm/dd) (yyyy/mm/dd)	
	P 1/1	

NOTES:

- 1) METAL: ALL UN-EXPOSED METAL FINISH TO BE MATTE WHITE PAINTED
- 2) SHADE: FAUX WOOD (INTERIOR) TO MATCH WILSONART 8208K-16
BLACK LINEN ON HARDBACK (EXTERIOR)
- 3) DIFFUSER: GLOSSY WHITE ACRYLIC
- 4) LAMPING: INTEGRATED LED AC 120V 24W 2700K. DIMMABLE. DRIVERLESS
- 5) HARD WIRED, 120V.A.C.60Hz.
UL/CUL APPROVED
- ***APPROX MAX.WEIGHTS:12LBS

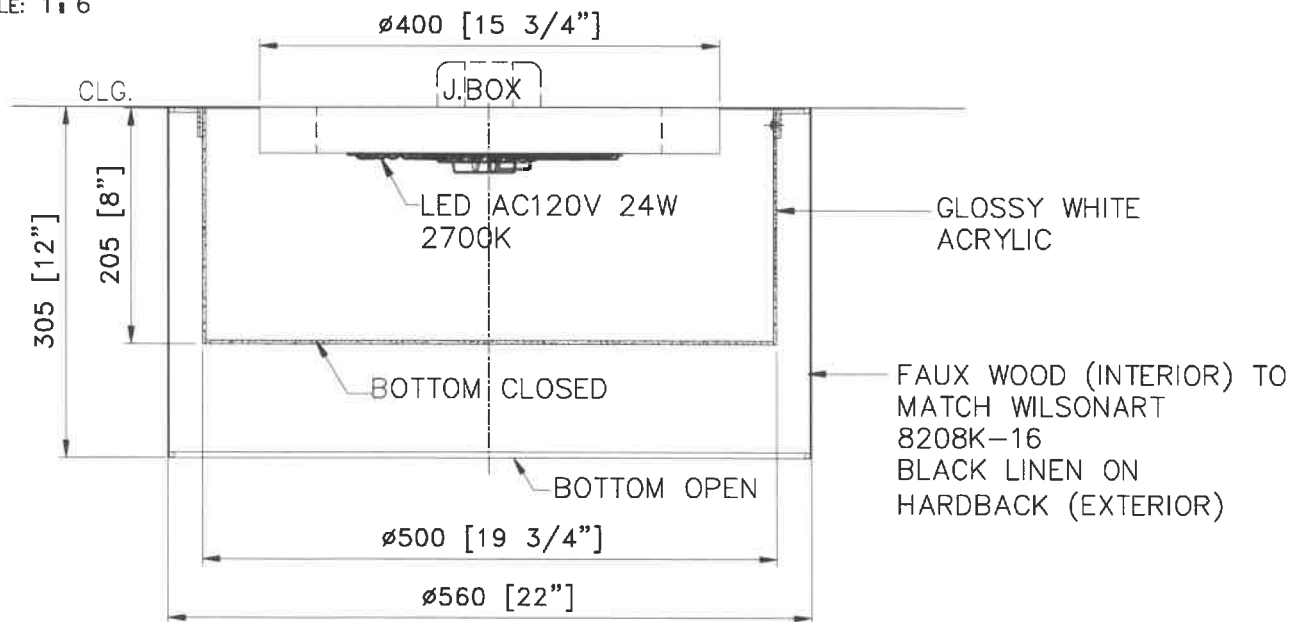


3D VIEW



TOP VIEW

SCALE: 1:6



FRONT VIEW

SCALE: 1:6

CUSTOM FLUSH MOUNT LIGHT @SOCIAL LOUNGE 1ST FLOOR @VISTA LOUNGE

ITEM NO:F3 QTY: 4X

Exton Knoll Clubhouse

Exton City, PA

Approval: Date: 9.20.22

With comments: _____

Signed By: BUILDERS DESIGN/ SARAH FRANZ

Estimated Leads time are contingent upon receiving approved submittals and are subject to change

Les Industries CENTURY Industries Inc.

5645 Royalmount Ave.

Montreal, Quebec, Canada H4P 2P9

Tel:514-842-3933 Fax:514-842-7481

Toll free Canada only:1-877-842-3934

Date:2022/09/12 Rev: 2022/09/17

(yyyy/mm/dd)

(yyyy/mm/dd)

Dwg. #

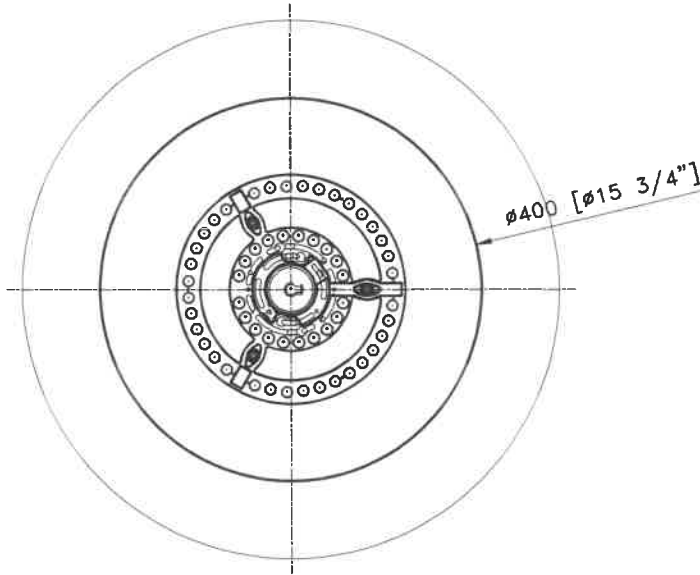
P 1/1

NOTES:

- 1) METAL: ALL UN-EXPOSED METAL FINISH TO BE MATTE WHITE PAINTED
 - 2) SHADE: FAUX WOOD TO MATCH WILSONART 8208K-16
 - 3) DIFFUSER: GLOSSY WHITE ACRYLIC (BOTTOM)
 - 4) LAMPING: INTEGRATED LED AC 120V 24W 2700K. DIMMABLE. DRIVERLESS
 - 5) HARD WIRED, 120V. A.C. 60Hz.
- UL/CUL APPROVED
 ***APPROX MAX. WEIGHTS: 14LBS

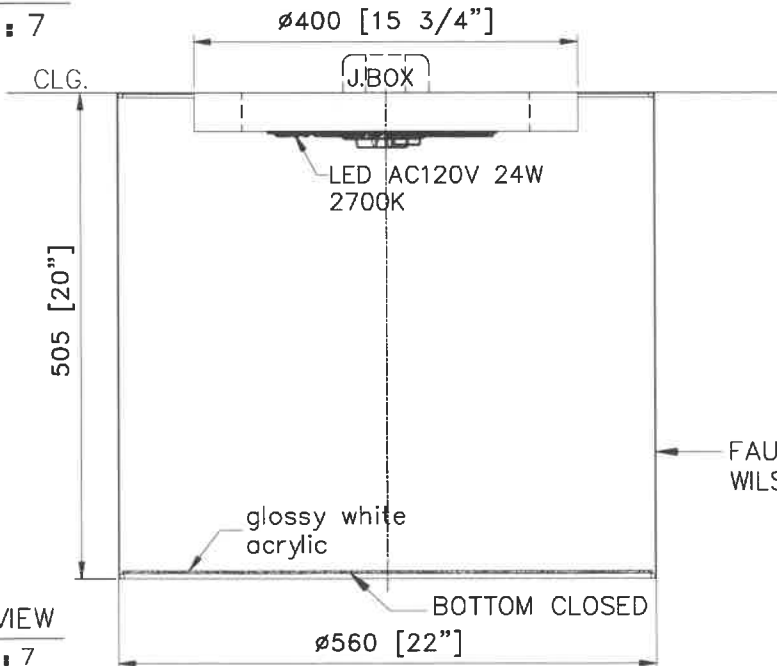


3D VIEW



TOP VIEW

SCALE: 1 : 7



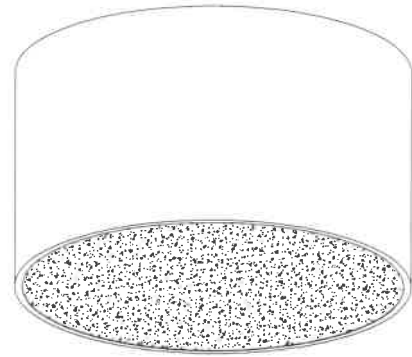
FRONT VIEW

SCALE: 1 : 7

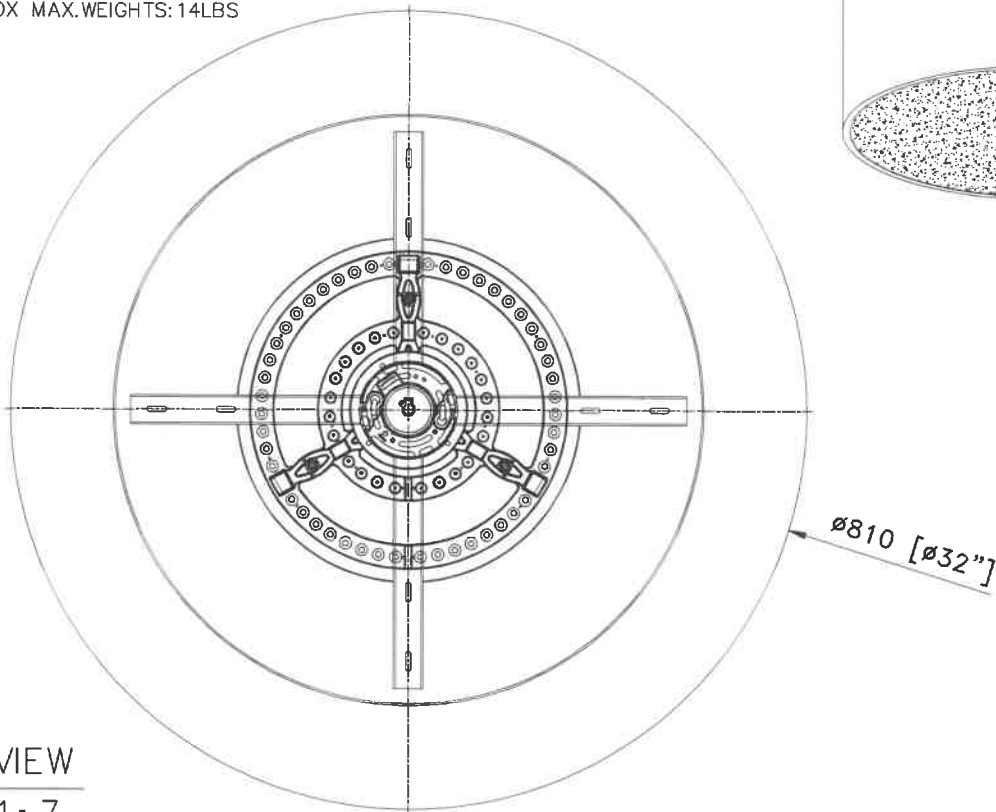
CUSTOM FLUSH MOUNT LIGHT @SOCIAL LOUNGE 1ST FLOOR @VISTA LOUNGE		Exton Knoll Clubhouse	
ITEM NO: F4 QTY: 1X		Exton City, PA	
Approval: <input type="checkbox"/> <input checked="" type="checkbox"/>	Date: 9.20.22	Lee Industries CENTURY Industries Inc.	
With comments: _____		5645 Royalmount Ave. Dwg. #	
Signed By BUILDERS DESIGN/ SARAH FRANZ		Montreal, Quebec, Canada H4P 2P9	
Estimated Leads time are contingent upon receiving approved submittals and are subject to change		Tel: 514-842-3933 Fax: 514-842-7481	
		Toll free Canada only: 1-877-842-3934	
		Date: 2022/09/12 Rev: 2022/09/17	
		(yyyy/mm/dd) (yyyy/mm/dd)	
		P 1/1	

NOTES:

- 1) METAL: ALL UN-EXPOSED METAL FINISH TO BE MATTE WHITE PAINTED
 - 2) SHADE: FAUX WOOD TO MATCH WILSONART 8208K-16
 - 3) DIFFUSER: GLOSSY WHITE ACRYLIC (BOTTOM)
 - 4) LAMPING: INTEGRATED LED AC 120V 32W 2700K. DIMMABLE. DRIVERLESS
 - 5) HARD WIRED, 120V.A.C.60Hz.
- UL/CUL APPROVED
 ***APPROX MAX.WEIGHTS: 14LBS

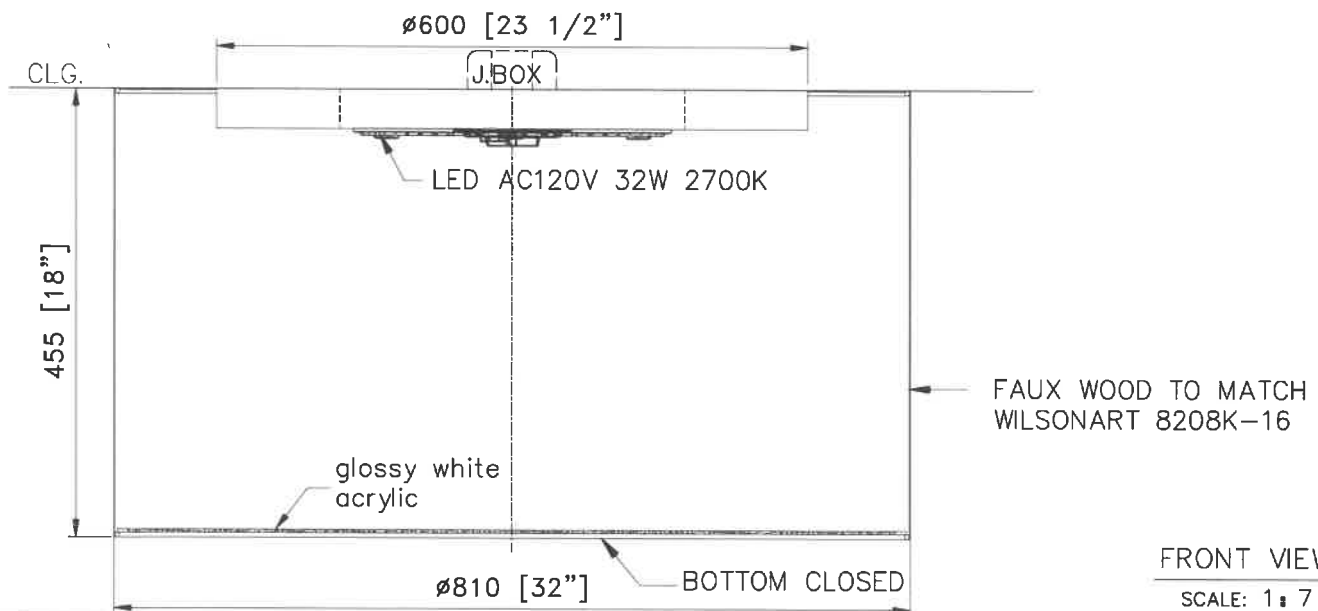


3D VIEW



TOP VIEW

SCALE: 1 : 7



FRONT VIEW

SCALE: 1 : 7

CUSTOM FLUSH MOUNT LIGHT @SOCIAL LOUNGE 1ST FLOOR @VISTA LOUNGE		Exton Knoll Clubhouse	
ITEM NO:F5 QTY: 1X		Exton City, PA	
Approval: <input type="checkbox"/> <input checked="" type="checkbox"/> Date: 9.20.22	With comments: _____		
Signed By: BUILDERS DESIGN/ SARAH FRANZ		Les Industries CENTURY Industries Inc.	
Estimated Leads time are contingent upon receiving approved submittals and are subject to change		5645 Royalmount Ave. Dwg. #	
		Montreal, Quebec, Canada H4P 2P9	
		Tel: 514-842-3933 Fax: 514-842-7481	
		Toll free Canada only: 1-877-842-3934	
		Date: 2022/09/12 Rev: 2022/09/17	
		(yyyy/mm/dd) (yyyy/mm/dd)	
		P 1/1	