

CENTURY

LIGHTING | ART | DESIGN



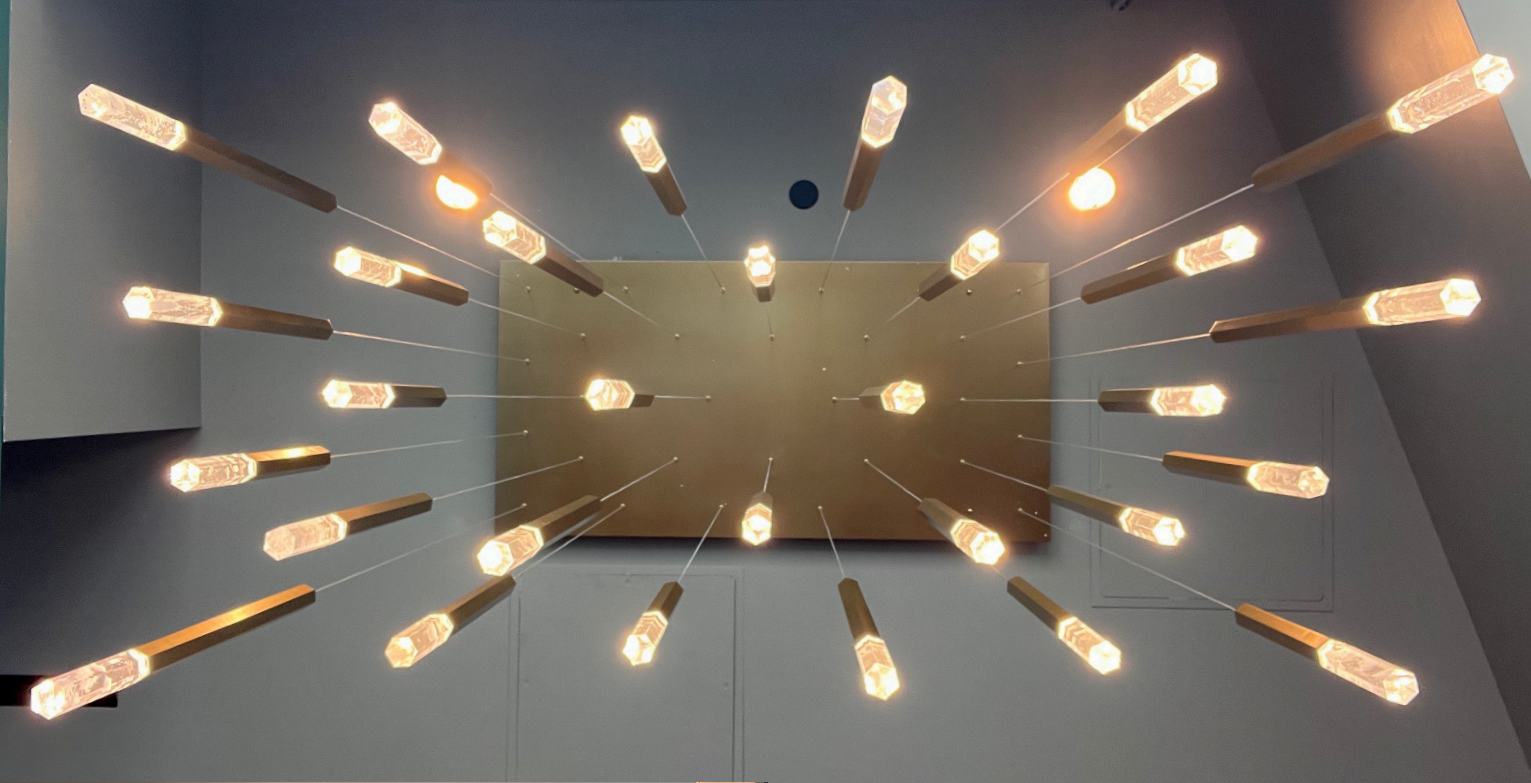
STUDIO • M

joe kraus lighting 

301-537-5808

joe@joe kraus lighting.com

www.joe kraus lighting.com



Maker's Union –
Custom 5' x 2.5'
"Diaphane"
By STUDIO M



27.5" "Diaphane"
By STUDIO M



12-Light LED Pendant

Diaphane

Lamping

Number of Bulbs: 12

Light Type: LED

Bulb Type: PCB Integrated 📌

Bulb Max Wattage: 5

Fixture Max Wattage: 60

Rated Life: 25,000 Hours 📌

Delivered Lumens: 3380 📌

Color Temperature: 3000 K 📌

Bulb(s): Integrated

CRI: 90

Dimmable: Only at 120V

Input Voltage: 120-277

Measurements

Width: 27.5"

Height: 23.75"

Length: 27.5"

Max Overall Height: 145"

Min Overall Height: 26.75"

Wire Length: 120"

Hanging Weight: 31.97 lb.

UPS Shippable: Yes 📌

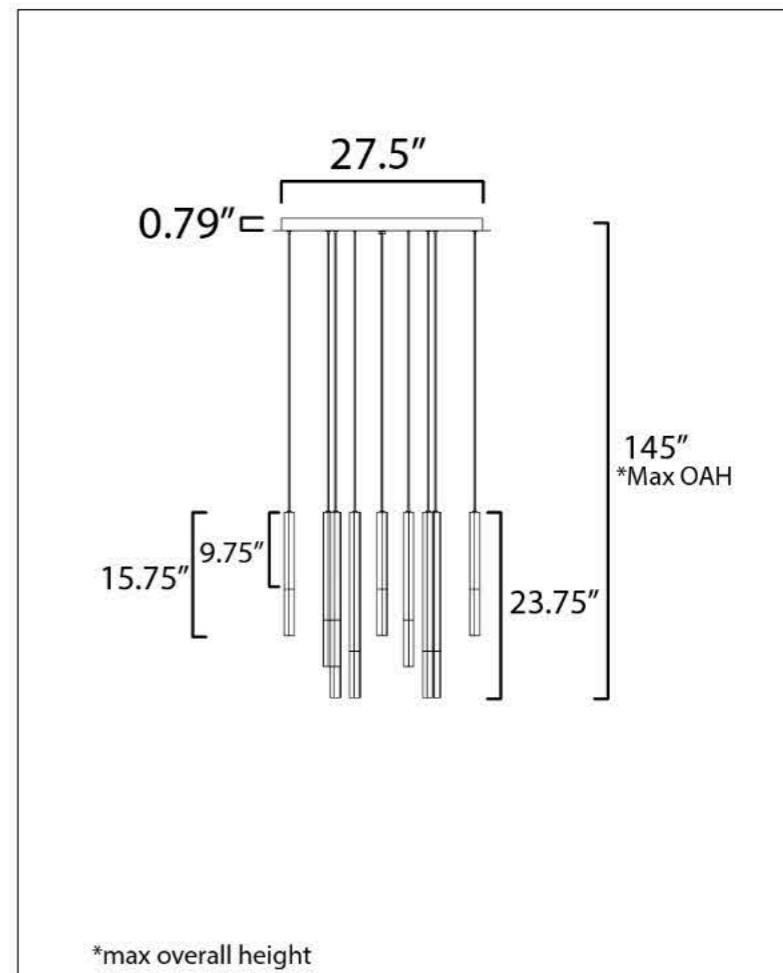
Canopy Width: 27.5"

Canopy Height: 1.75"

Canopy Length: 27.5"

Certifications/Other

UL Standard: Dry









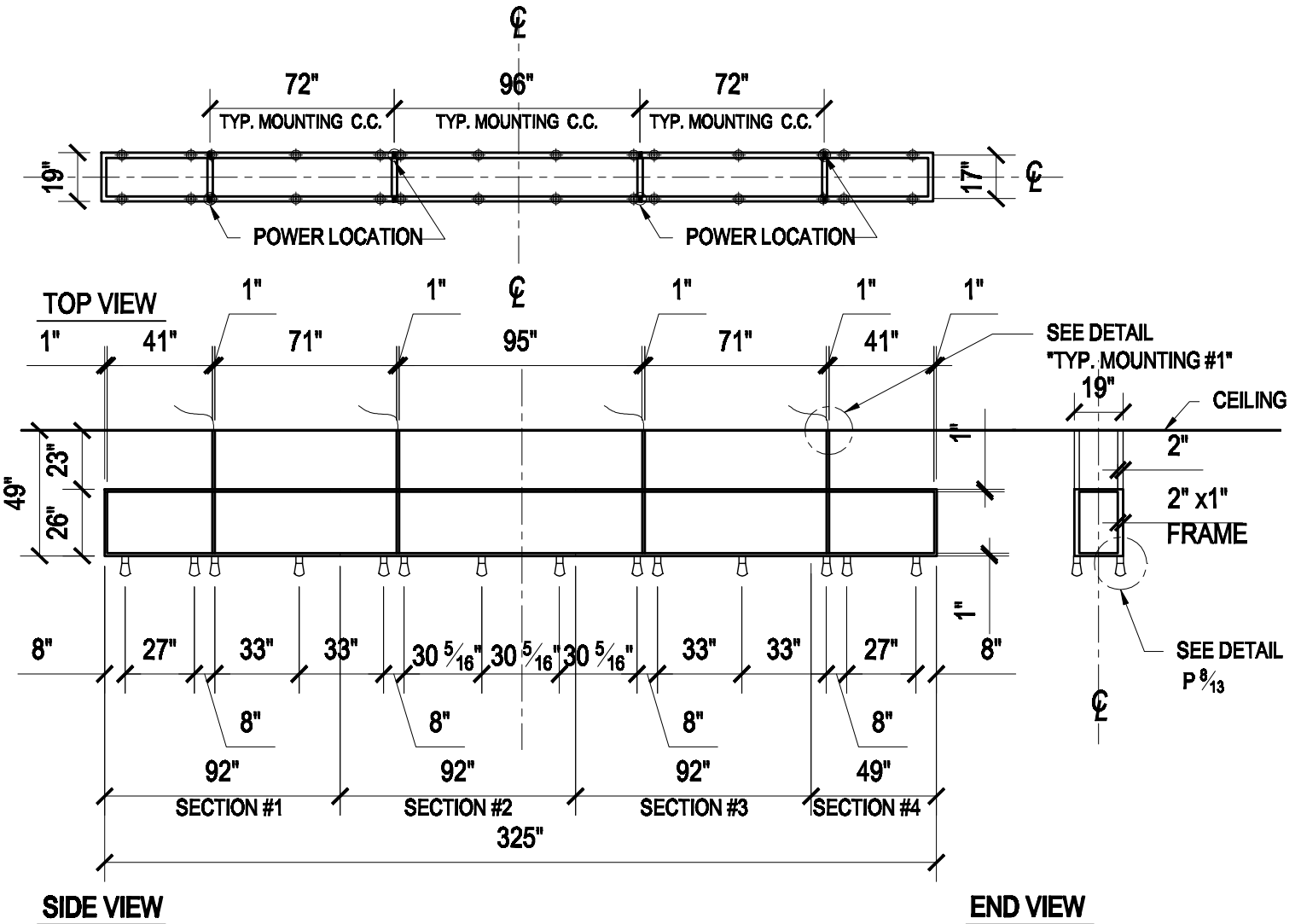


*ON SITE ASSEMBLY REQUIRED.
 FABRICATED IN 4 SECTIONS.

4x POWER WHIPS OR J.BOXES REQUIRED BY OTHERS.

NOTES:

- 1) **METAL:** ALL EXPOSED METAL TO MATCH "CA-MT-01/AMMT-01" FINISH.
- 2) **SHADE:** 28x "INTERIOR FROSTED LUCITE, LASER ETCHED FILAMENT".
- 3) **SOCKETS:** 28x LED G9, 3000K, DIMMABLE 0-10V.
 HARDWIRED, 120V.
 *(+ADDITIONAL 28x BULBS PER ATTIC STOCK)
 UL/CSA APPROVED.
 APPROX MAX WEIGHT: 330LBS.



CUSTOM FIXTURE "A" @ DEMO KITCHEN

MODEL NO.: FIXT A **QTY:** 1x

Approval: [Signature] **Date:** Sept. 23rd 2021

With comments: via email -Jeremy Zelinger

Signed By: _____

Estimated Leads time are contingent upon receiving approved submittals and are subject to change.

1000 SOUTH CAPITOL ST.

WASHINGTON, DC.

Les Industries CENTURY Industries Inc.
 5645 Royalmount Ave.

Montreal, Quebec, Canada H4P 2P9

tel: 514-842-3933 fax: 514-842-7481

Toll free Canada only : 1-877-842-3934

Date: 2020/12/22 rev: 2021/03/19

(yyyy/mm/dd)

(yyyy/mm/dd)

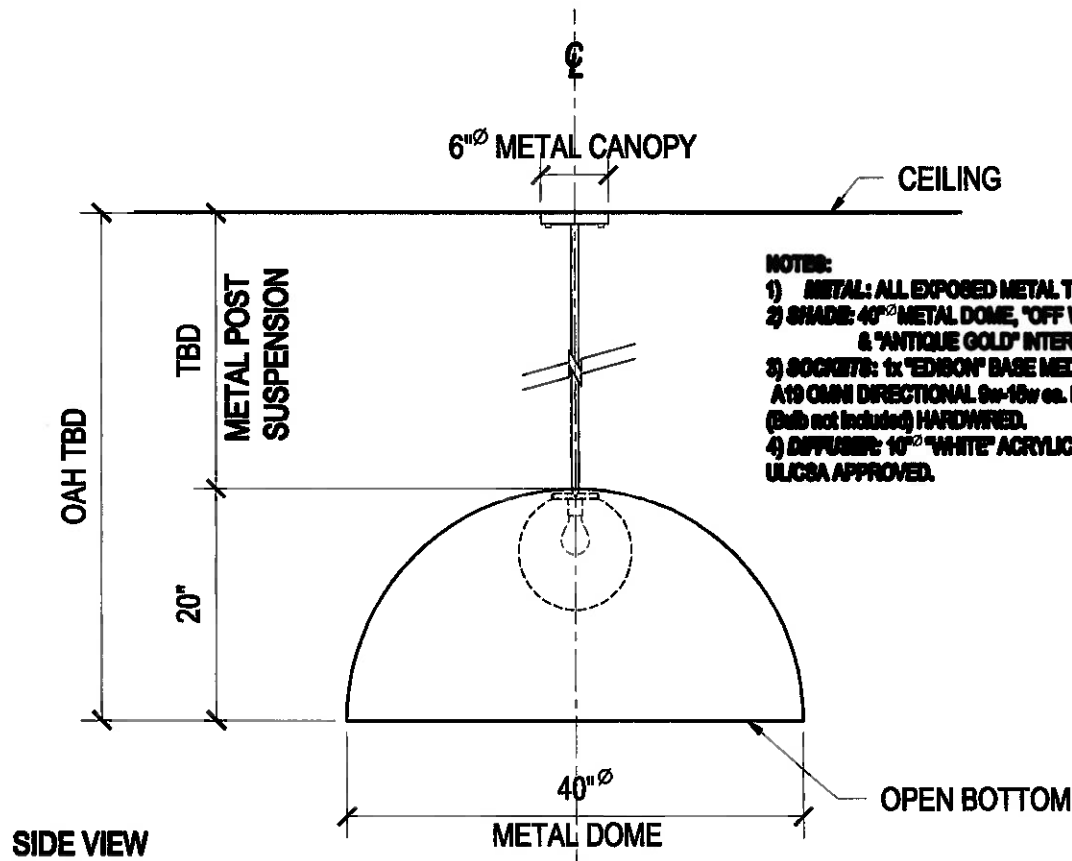
Dwg.#

P 1/13

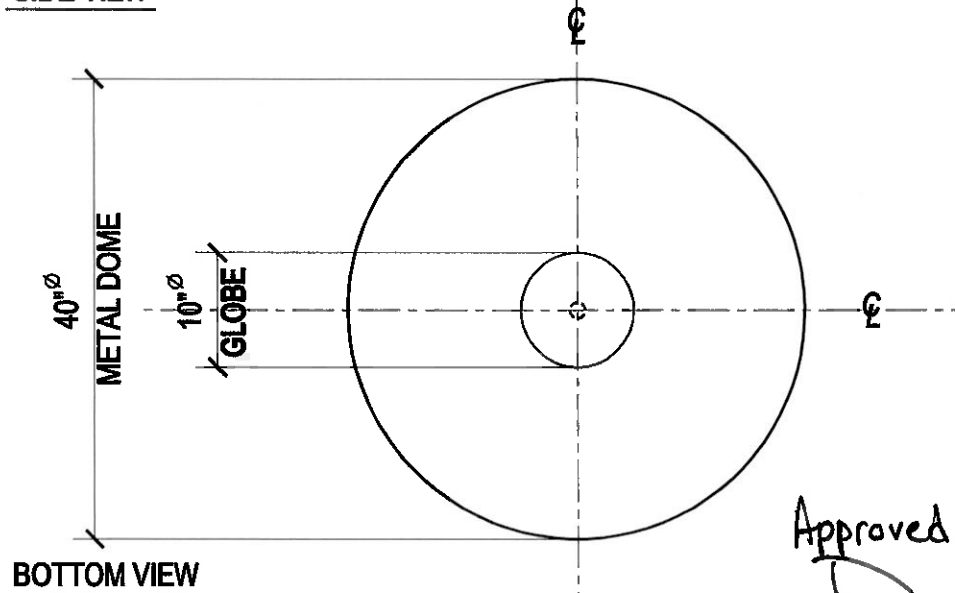




1400 Montana Ave. – Main Lobby



SIDE VIEW



Approved by David Littman
D Littman 9/14/21

CUSTOM PENDANT @ GROUND LEVEL LOBBY SEATING AREA
ITEM NO.: CEN-FX-404020-1 QTY: 1x

1400 MONTANA - MULTIFAMILY
 WASHINGTON, DC.

Approval: Date: _____

With comments: _____

Signed By: _____

Estimated Leads time are contingent upon receiving approved submittals and are subject to change.

Les Industries CENTURY Industries Inc.
 5645 Royalmount Ave.
 Montreal, Quebec, Canada H4P 2P9
 tel: 514-842-3933 fax: 514-842-7481
 Toll free Canada only : 1-877-842-3934
 Date: 2021/06/23 rev: _____

Dwg.#

P 1/1

(yyyy/mm/dd)

(yyyy/mm/dd)

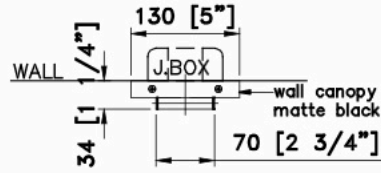
Modera Fitness Center



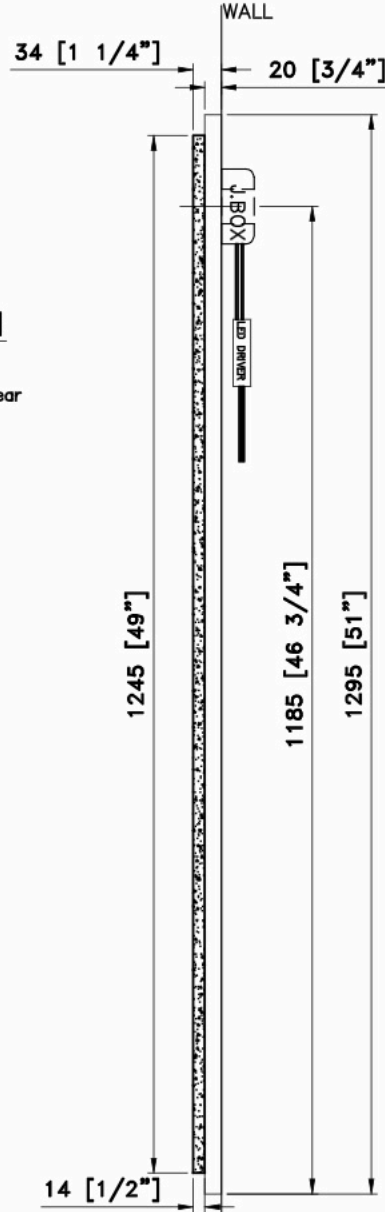
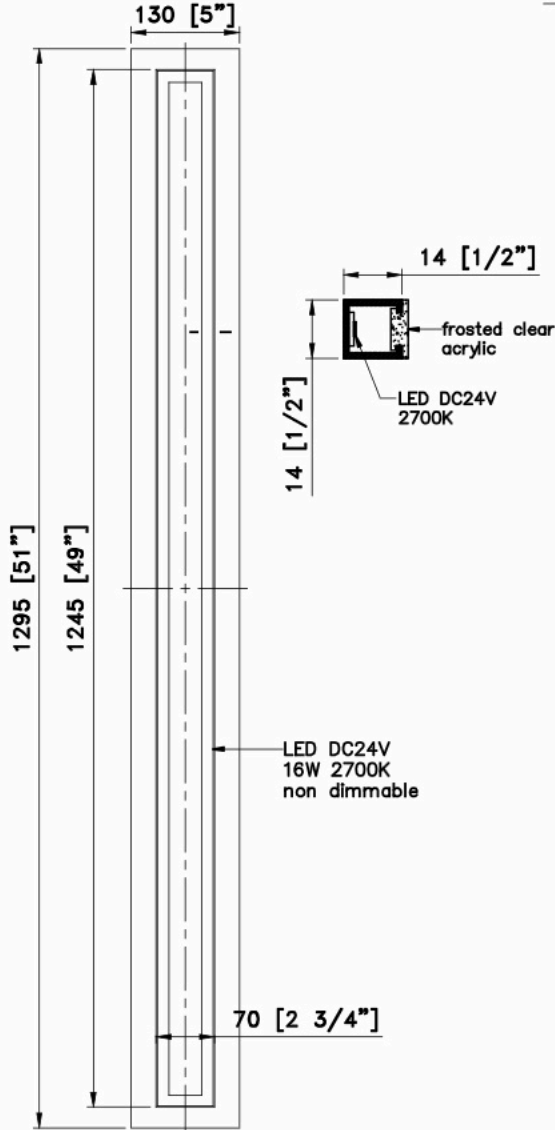
NOTES:

- 1)METAL:ALL EXPOSED METAL FINISH TO BE MATTE BLACK
 - 2)DIFFUSER:FROSTED CLEAR ACRYLIC.
 - 3)LAMPING:INTEGRATED LED DC24V 16W 2700K. NON DIMMABLE. W/REMOTE DRIVER(22W) 120V.A.C. 60Hz
 - 4)HARD WIRED. SUITABLE FOR INDOOR(DRY)LOCATION USE.
- UL/CUL APPROVED ****APPROX MAX. WEIGHTS:14LBS

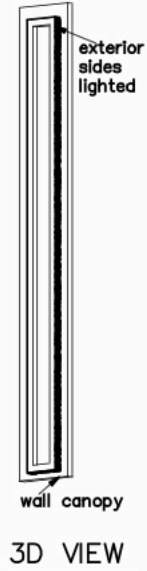
TOP VIEW
SCALE: 1:8



FRONT VIEW
SCALE: 1:8



SIDE VIEW
SCALE: 1:8



CUSTOM WALL SCNCE

ITEM NO:CEN-WS-0737-L QTY:5X

Approval: Date: _____

With comments: _____

Signed By: _____

Estimated Leads time are contingent upon receiving approved submittals and are subject to change

Les Industries CENTURY Industries Inc.
5645 Royalmount Ave. Dwg.#
Montreal,Quebec,Canada H4P 2P9
Tel: 514-842-3933 Fax: 514-842-7481
Toll free Canada only:1-877-842-3934
Date: 2023/05/30 Rev: 2023/06/08
(yyyy/mm/dd) (yyyy/mm/dd)

P 1/1

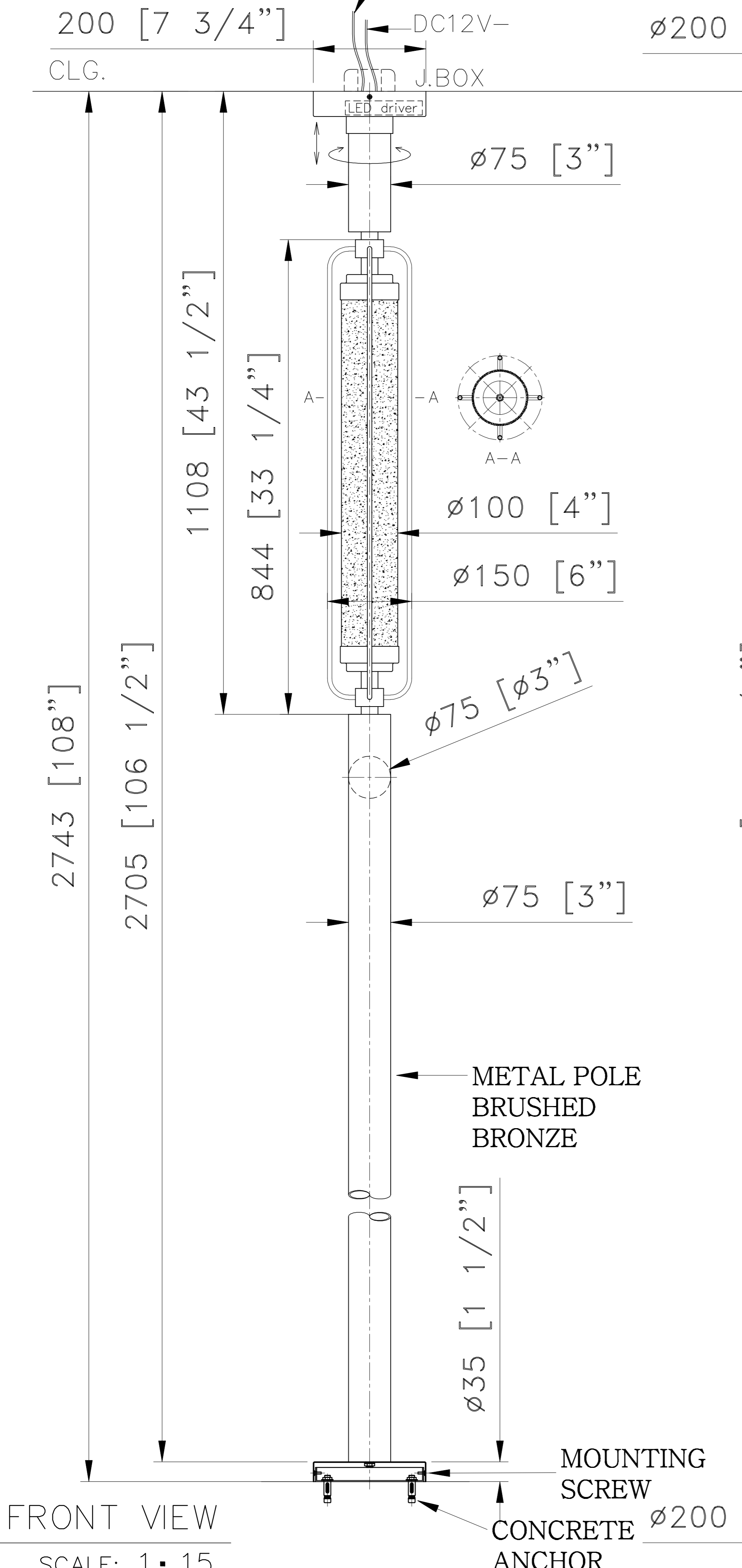
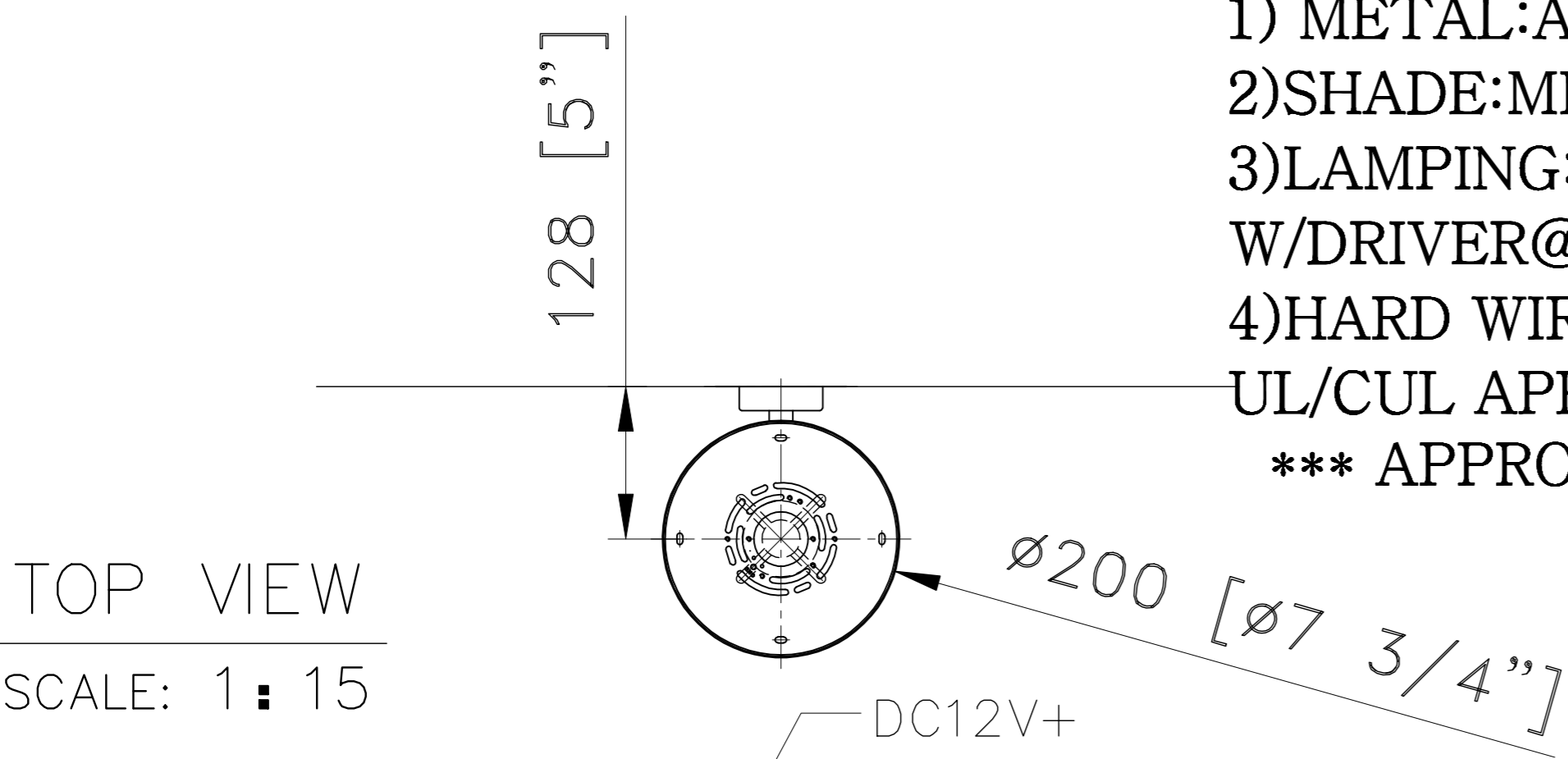


1400 Montana Ave. – Elevator Lobby

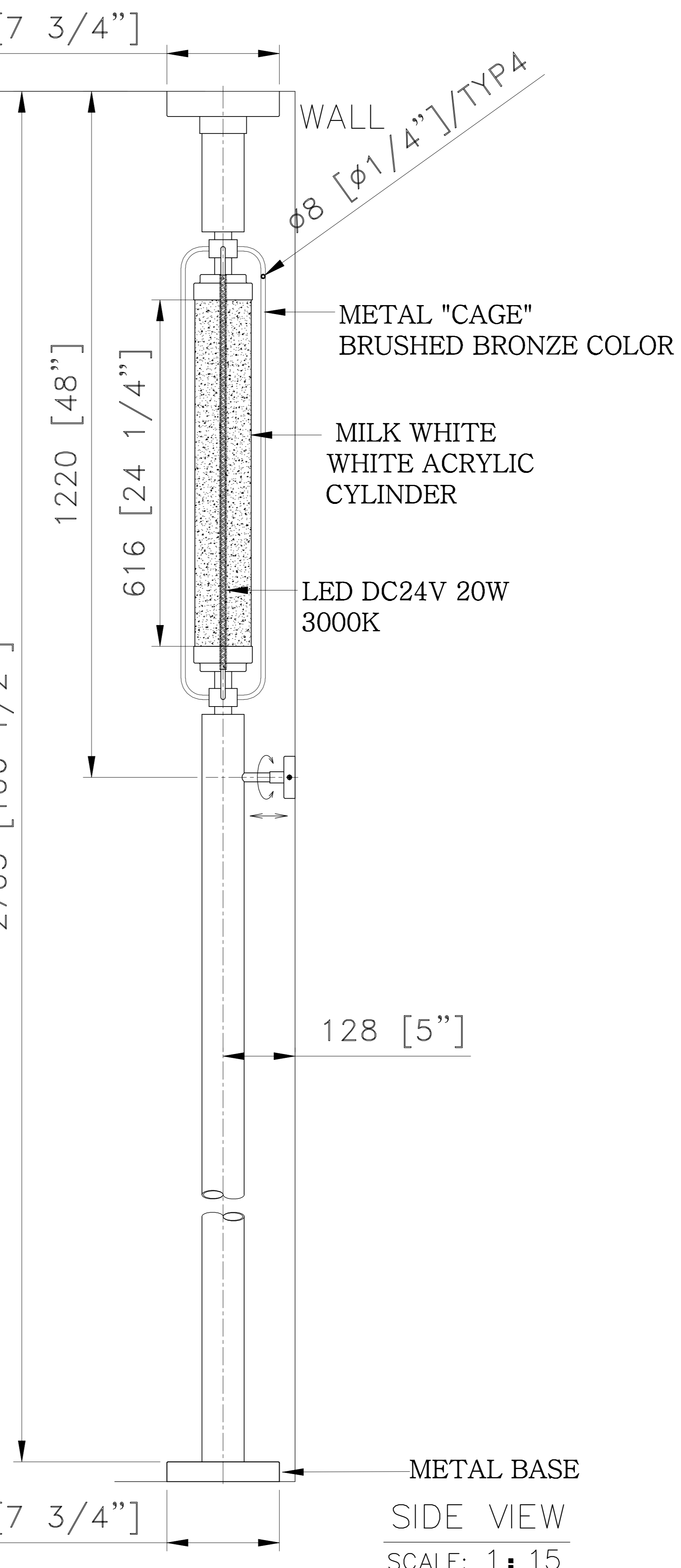
NOTES:

- 1) METAL: ALL EXPOSED METAL FINISH TO BE BRUSHED BRONZE OR TBD
 - 2) SHADE: MILK WHITE ACRYLIC.
 - 3) LAMPING: INTEGRATED LED 20W 3000K NON DIMMABLE W/DRIVER@CANOPY, 120V.A.C.50-60Hz
 - 4) HARD WIRED; UL/CUL APPROVED
- *** APPROX MAX. WEIGHTS: 65LBS

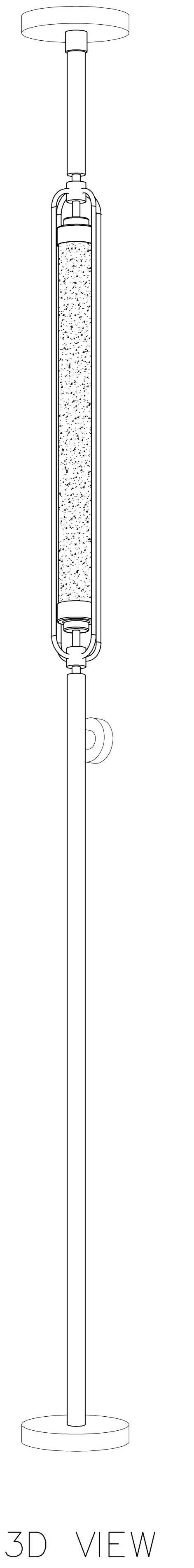
TOP VIEW
SCALE: 1 : 15



FRONT VIEW
SCALE: 1 : 15



SIDE VIEW
SCALE: 1 : 15



3D VIEW

CUSTOM WALL SCONCE @ resident family lobby
ITEM NO: FX-108 (Option 2) QTY: 10PCS

1400 MONTANA - Multifamily
WASHINGTON, DC

Approval: Date: _____
With comments: _____
Signed By: _____
Estimated Leads time are contingent upon receiving approved submittals and are subject to change

Les Industries CENTURY Industries Inc.
5645 Royalmount Ave. Dwg. #
Montreal, Quebec, Canada H4P 2P9
Tel: 514-842-3933 Fax: 514-842-7481
Toll free Canada only: 1-877-842-3934
Date: 2021/06/23 Rev: 2021/07/29
(yyyy/mm/dd) (yyyy/mm/dd)

joe kraus lighting 

301-537-5808

joe@joe kraus lighting.com

www.joe kraus lighting.com