



CENTURY

LIGHTING | ART | DESIGN

joekrauslighting

301-537-5808

joe@joekrauslighting.com

www.joekrauslighting.com







NOTES:

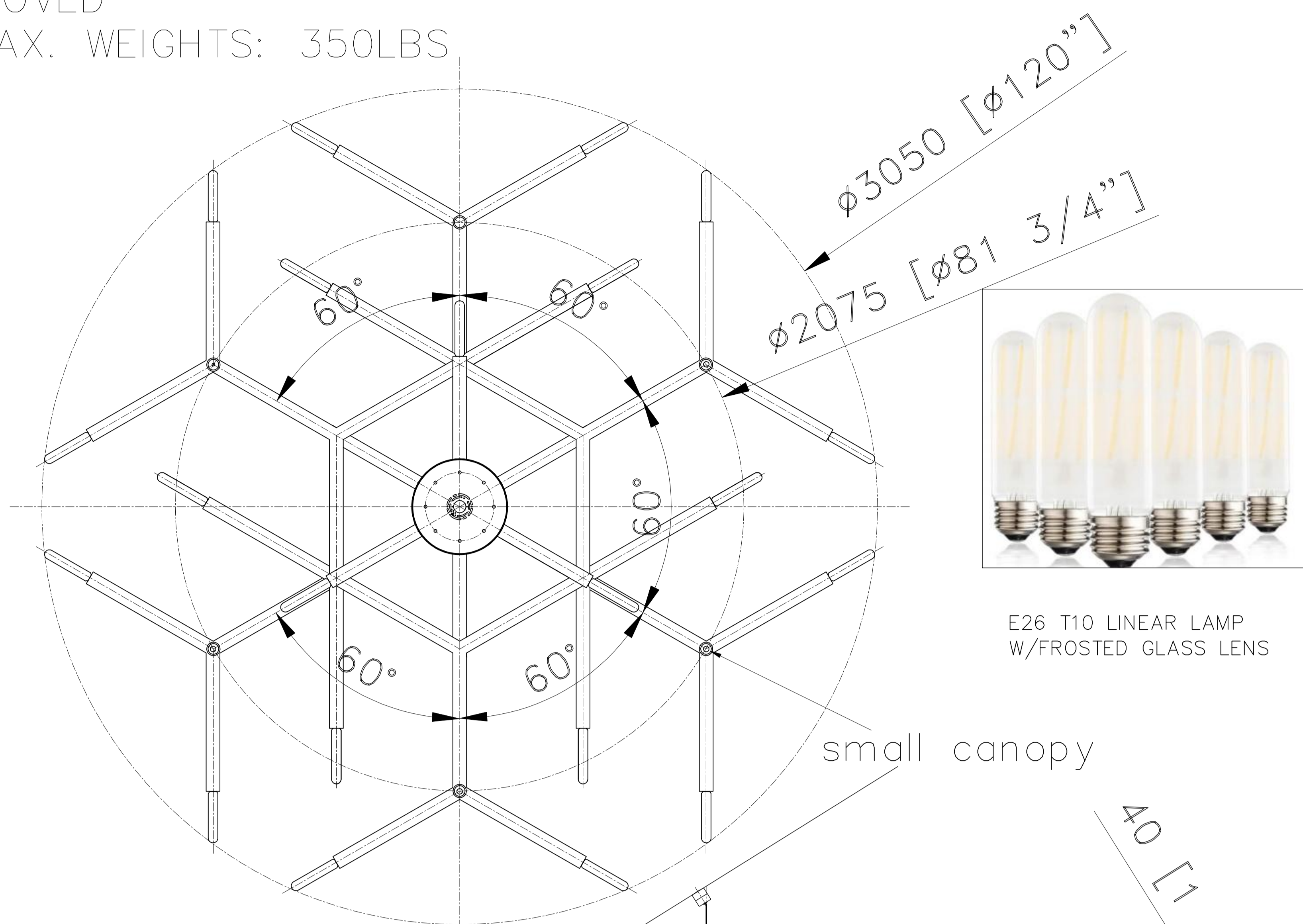
1) METAL: ALL EXPOSED METAL FINISH TO POWDER COATED MATTE BLACK

2) SOCKETS: 33x EDISON BASE MED. 120V.A.C. 50-60Hz. COMPATIBLE W/ E26 T10 MAX. 9W EA LED 2700K. DIMMABLE. BULBS NOT INCLUDED

3) HARD WIRED. ON-SITE ASSEMBLY REQUIRED

UL/CUL APPROVED

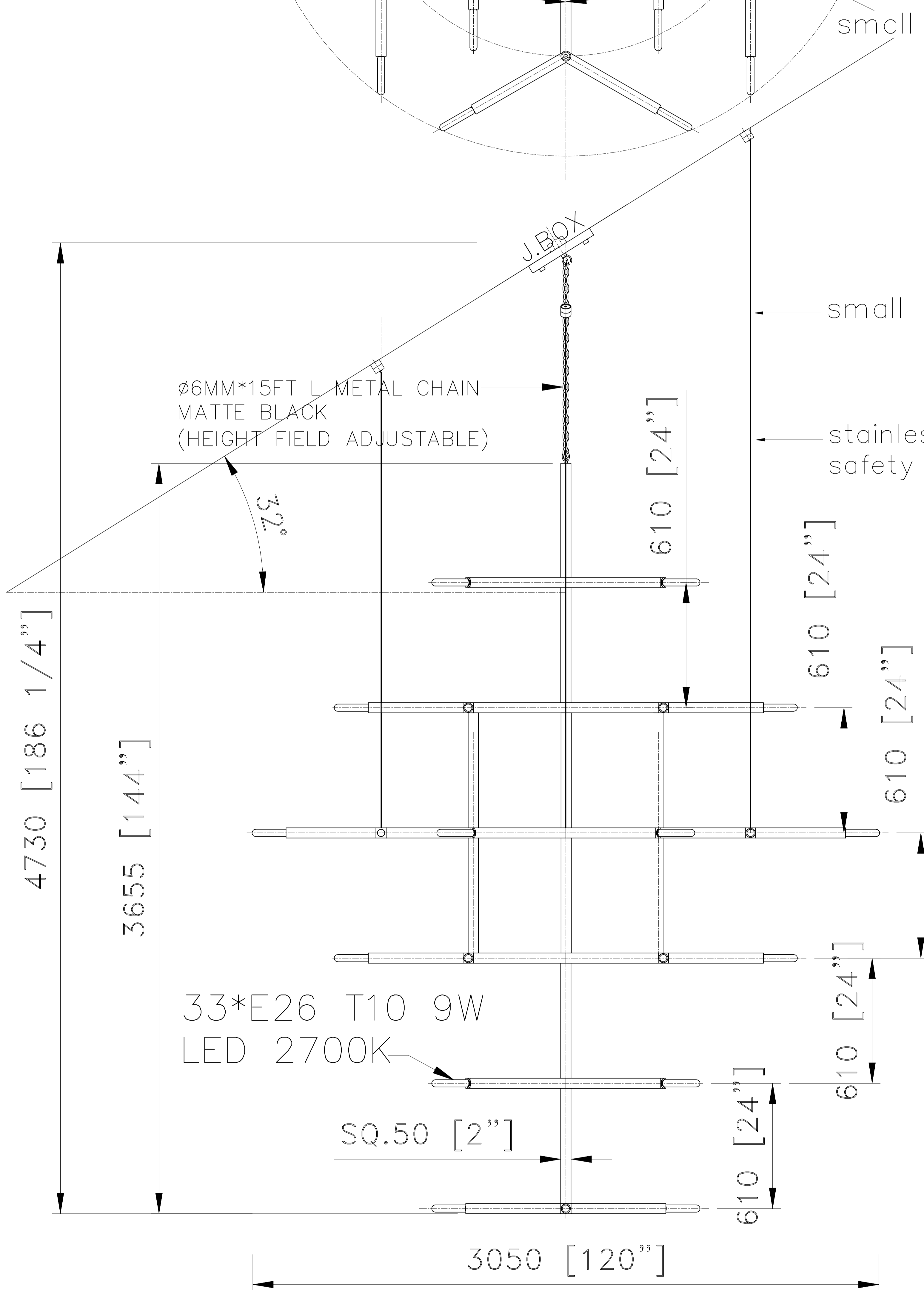
***APPROX MAX. WEIGHTS: 350LBS



E26 T10 LINEAR LAMP
W/FROSTED GLASS LENS

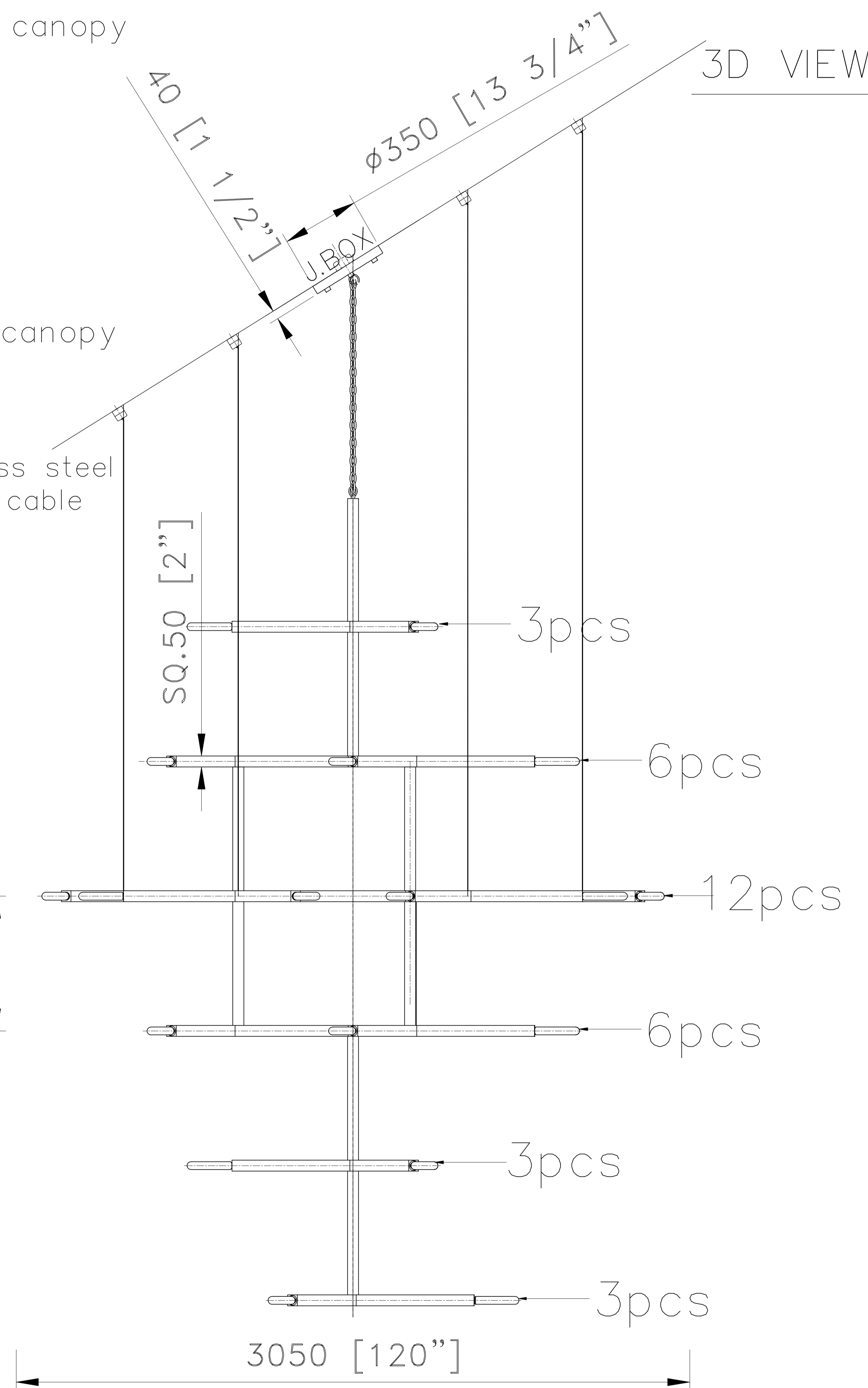


3D VIEW



FRONT VIEW

SCALE: 1 : 45



SIDE VIEW

SCALE: 1 : 45

CUSTOM LARGE CHANDELIER

ITEM NO: CEN-CC-0487 QTY: 1PC

Approval: Date: _____

With comments: _____

Signed By: _____

Estimated Leads time are contingent upon receiving approved submittals and are subject to change

Les Industries CENTURY Industries Inc.

5645 Royalmount Ave.

Montreal, Quebec, Canada H4P 2P9

Tel: 514-842-3933 Fax: 514-842-7481

Toll free Canada only: 1-877-842-3934

Date: 2022/04/07 Rev: 2022/10/03

(yyyy/mm/dd)

(yyyy/mm/dd)

Dwg. #

P 1/1