



# CENTURY

LIGHTING | ART | DESIGN

joekrauslighting 

301-537-5808

[joe@joekrauslighting.com](mailto:joe@joekrauslighting.com)

[www.joekrauslighting.com](http://www.joekrauslighting.com)

Hilton Arlington

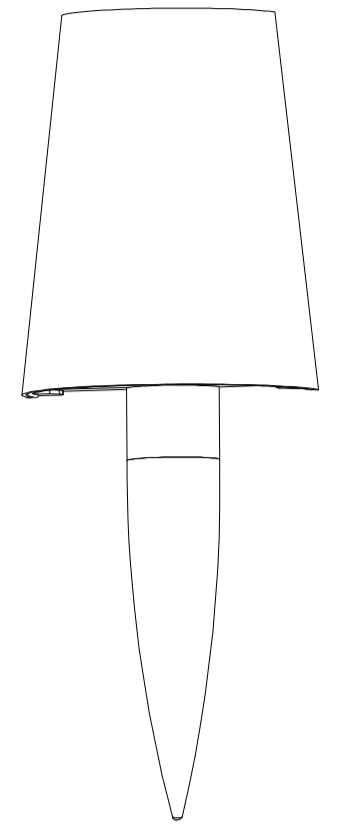
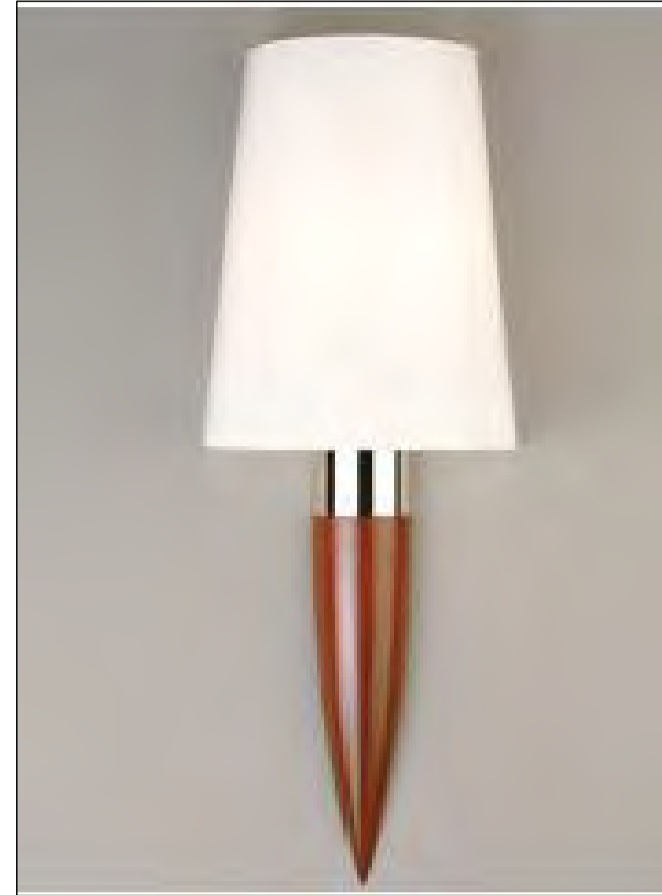
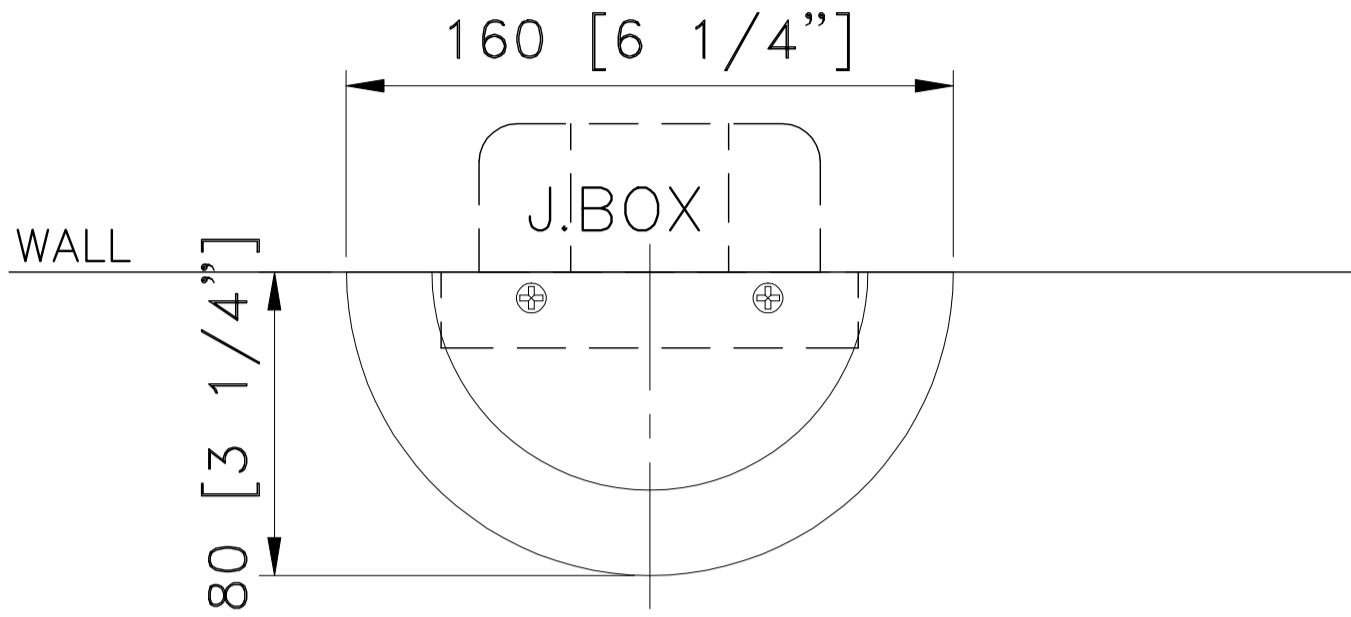




Hilton Arlington Custom Corridor Sconces

NOTES:

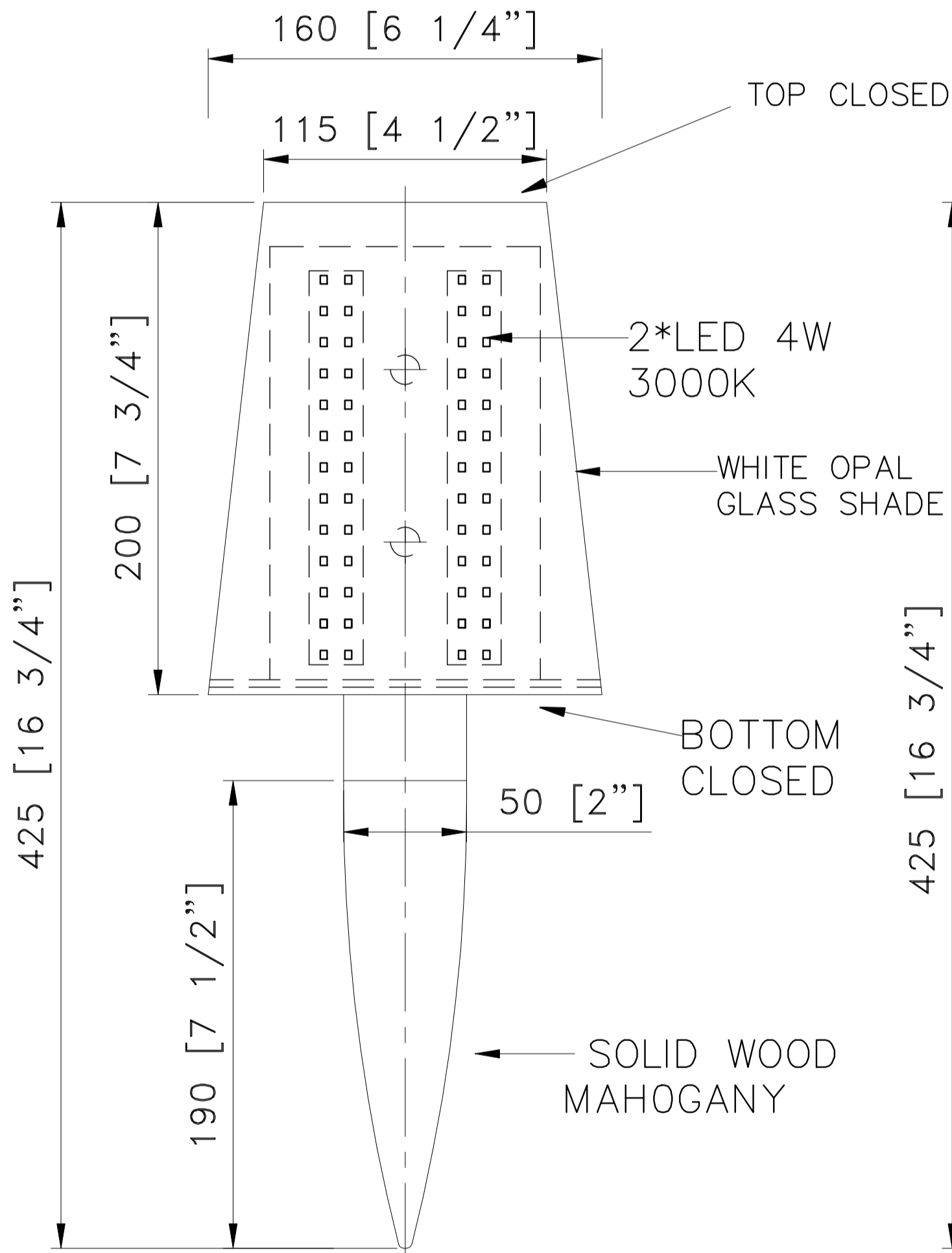
- 1) METAL: ALL EXPOSED METAL FINISH TO BE BRUSHED NICKEL
  - 2) SHADE: WHITE OPAL GLASS.
  - 3) DIFFUSER: MILK WHITE ACRYLIC @ BOTTOM OF GLASS SHADE
  - 4) LAMPING: INTEGRATED LED 8W. 3000K. NON DIMMABLE. W/DRIVER @ J-BOX
  - 5) HARD WIRED. 120V. A.C. 50-60Hz
- UL/CUL APPROVED  
 \*\*\*APPROX MAX. WEIGHTS: 5LBS



3D VIEW

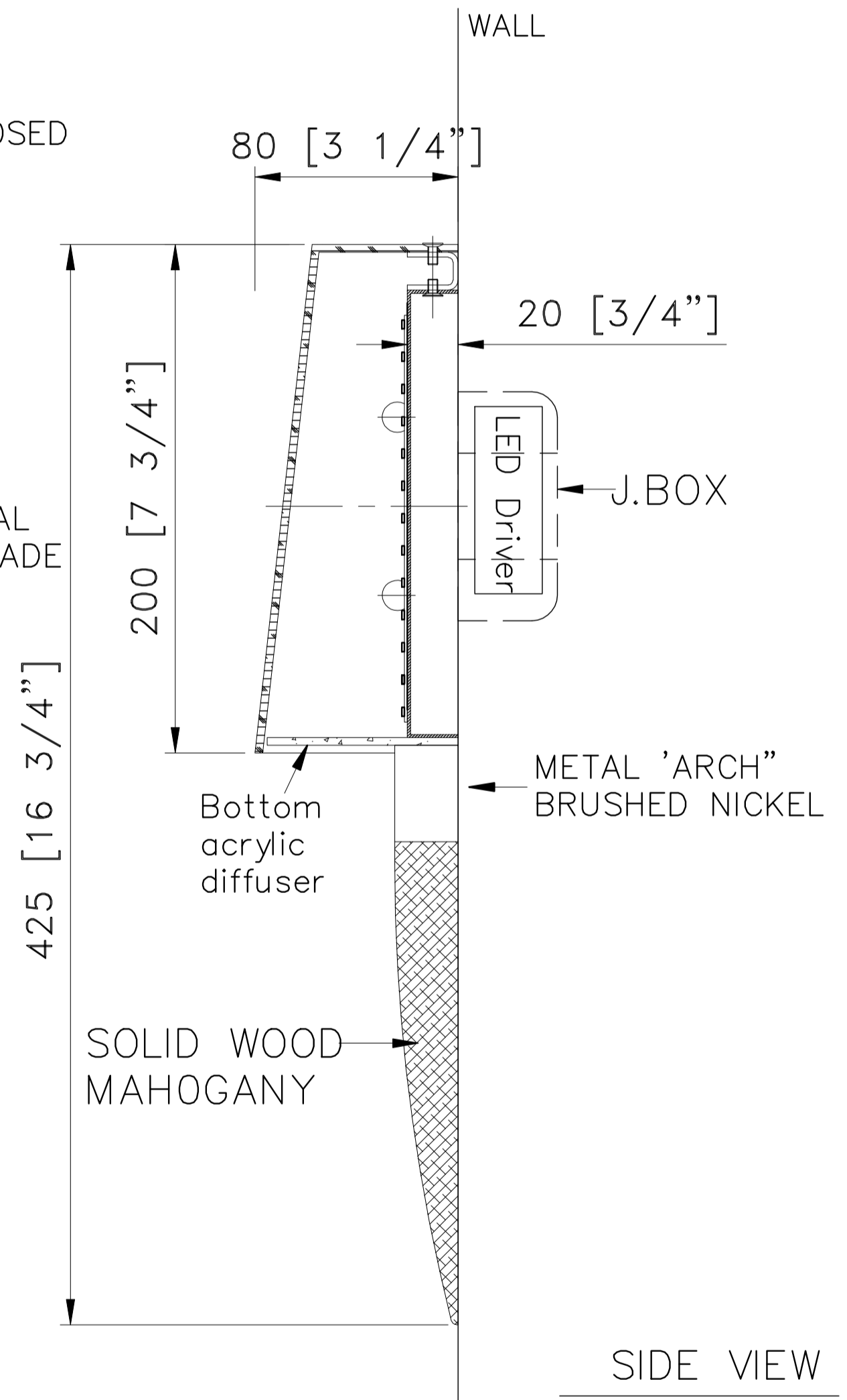
TOP VIEW

SCALE: 1 : 4



FRONT VIEW

SCALE: 1 : 4



SIDE VIEW

SCALE: 1 : 4

**CUSTOM WALL SCONCE @ GUEST CORRIDOR**

ITEM NO: COR-700 QTY: 100X

Approval:  Date: \_\_\_\_\_

With comments: \_\_\_\_\_

Signed By: \_\_\_\_\_

Estimated Leads time are contingent upon receiving approved submittals and are subject to change

**Hilton**  
 Arlington, VA.

**Les Industries CENTURY Industries Inc.**  
 5645 Royalmount Ave.  
 Montreal, Quebec, Canada H4P 2P9  
 Tel: 514-842-3933 Fax: 514-842-7481  
 Toll free Canada only: 1-877-842-3934  
 Date: 2021/12/16 Rev: \_\_\_\_\_  
 (yyyy/mm/dd) (yyyy/mm/dd)

Dwg. #

P 1/1