



# CENTURY

LIGHTING | ART | DESIGN

joekrauslighting 

301-537-5808

[joe@joekrauslighting.com](mailto:joe@joekrauslighting.com)

[www.joekrauslighting.com](http://www.joekrauslighting.com)

Harbor Towers

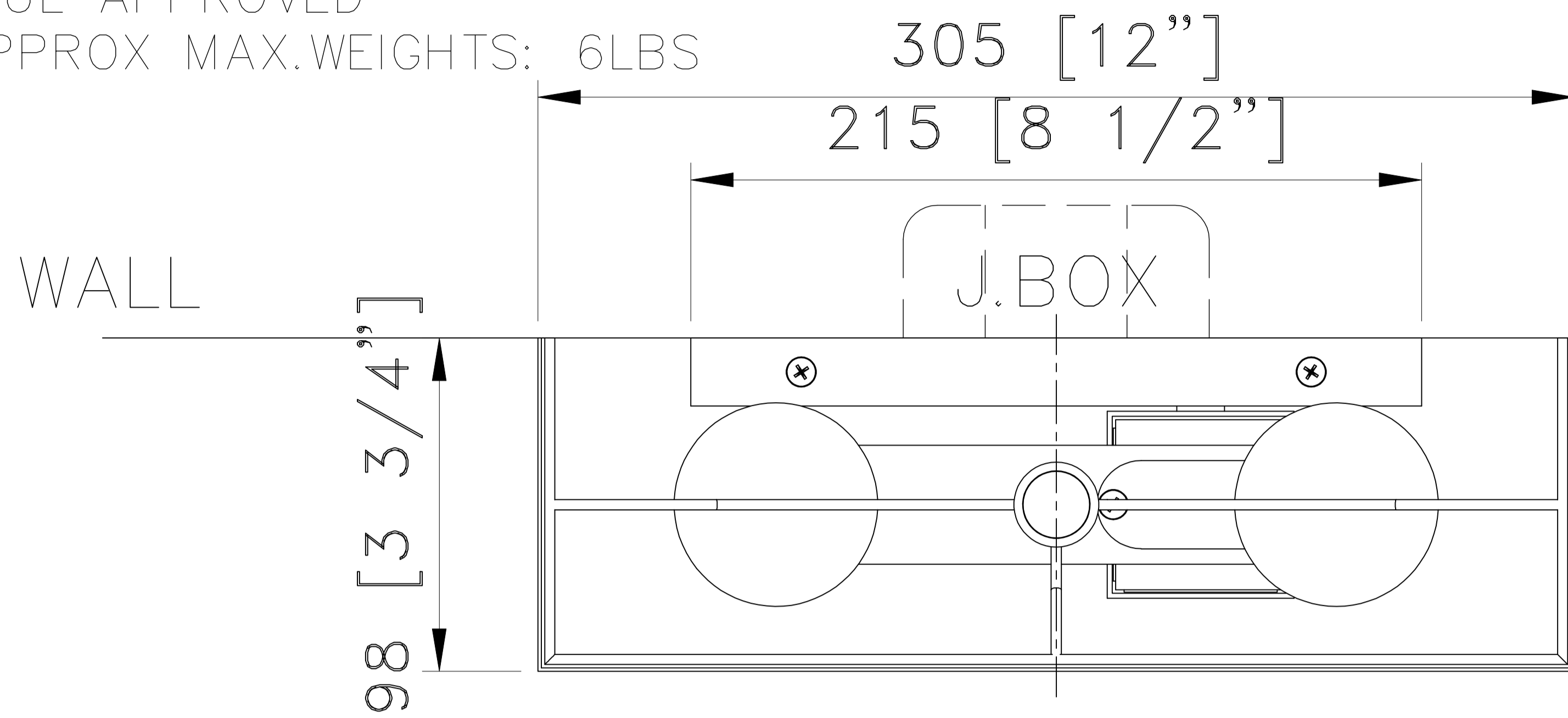
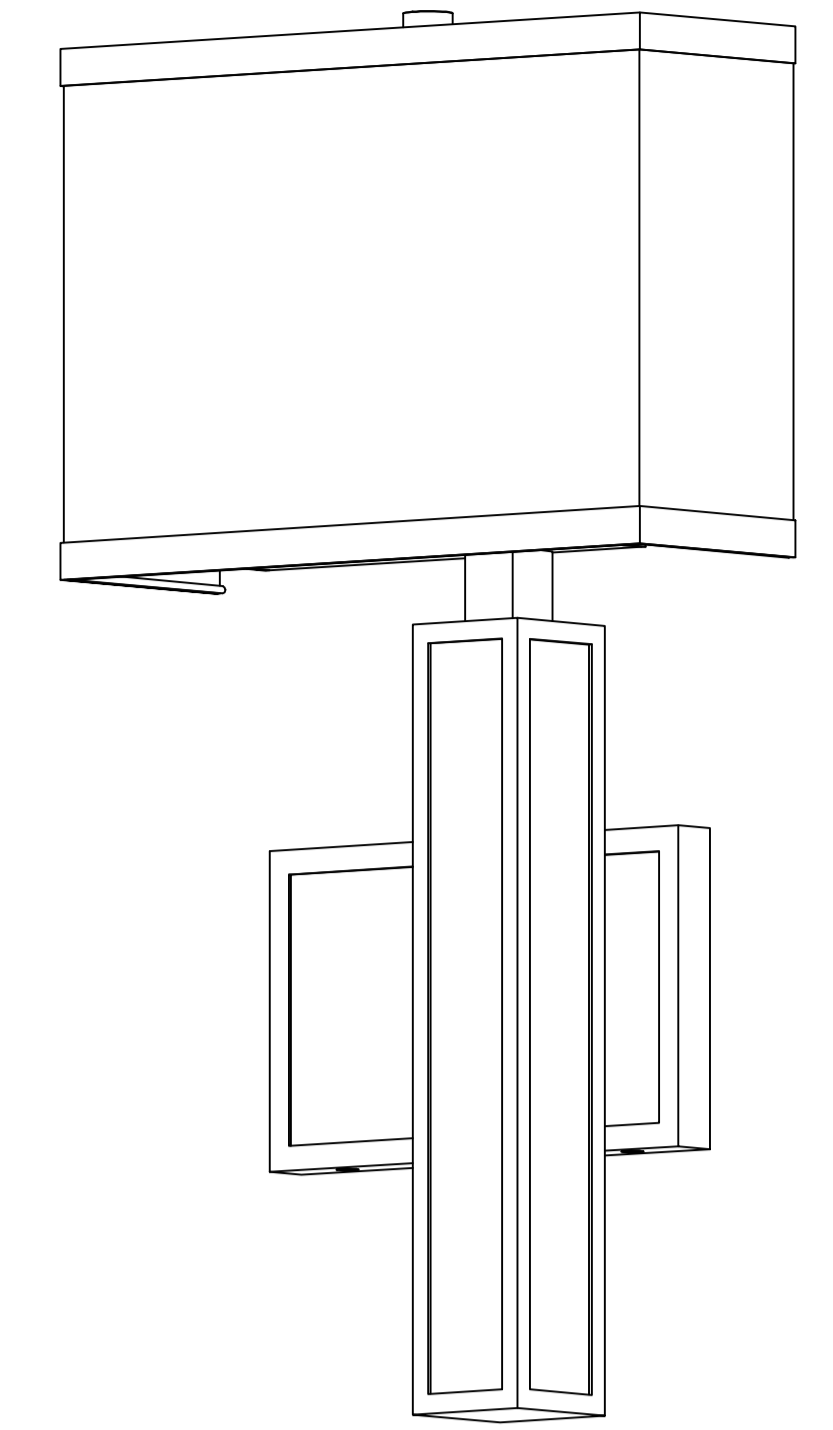
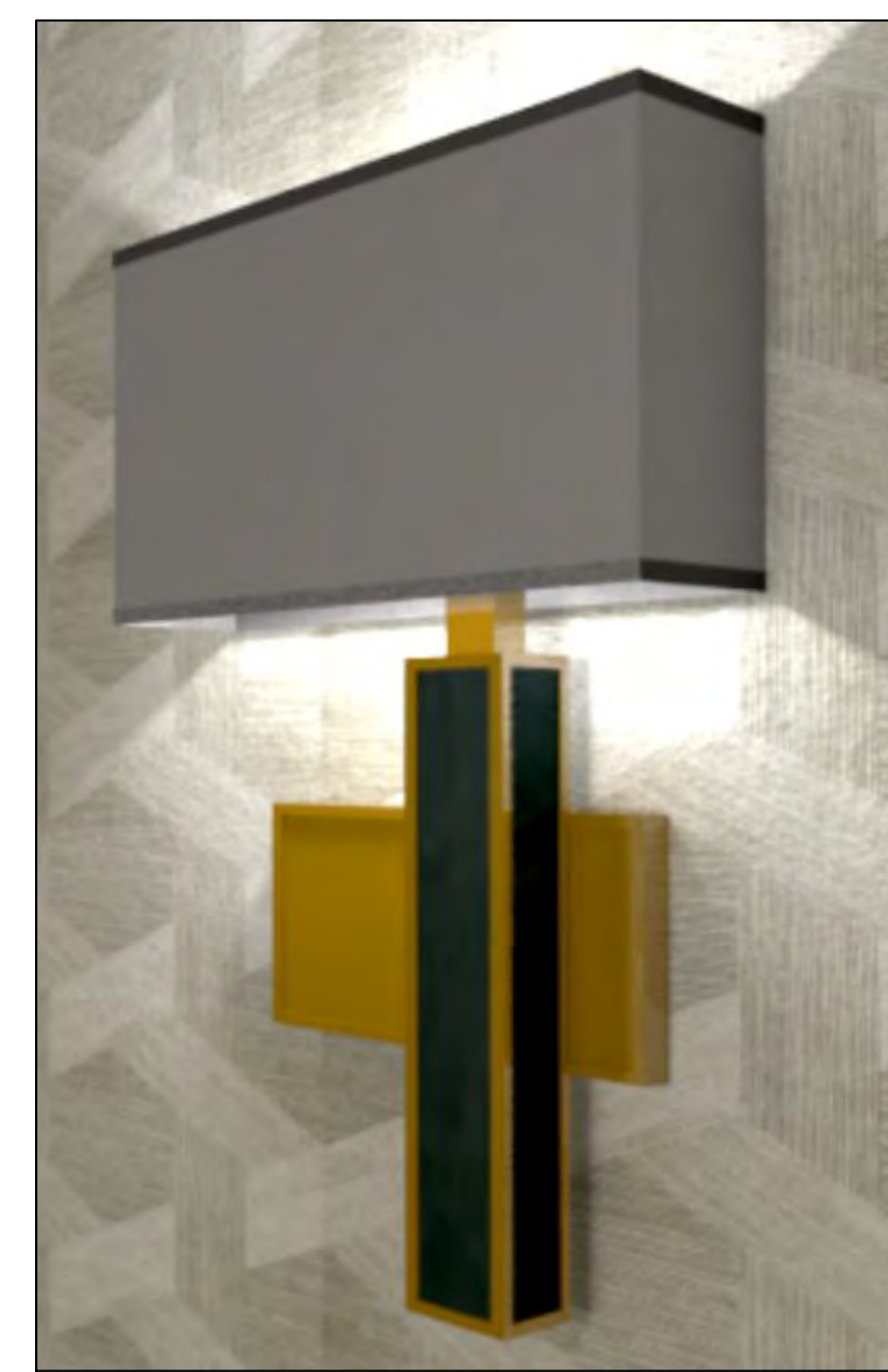




NOTES:

- 1)METAL: ALL EXPOSED METAL FINISH TO BE POLISHED BRASS (TRIMS)+SATIN BRASS(PLATE)+MATTE BLACK(PLATE)
- 2))SHADE: WHITE LINEN ON STYRENE HARDBACK, W/BLACK TRIMS
- 3)SOCKETS: 2xEDISON BASE MED.120V.A.C.60Hz.COMPATIBLE W/E26 A19 MAX.9W EA LED 2700K.DIMMABLE.BULB NOT INCLUDED
- 4)SWITCH: N/A
- 5)HARD WIRED. SUITABLE FOR INDOOR(DRY)LOCATION USE UL/CUL APPROVED

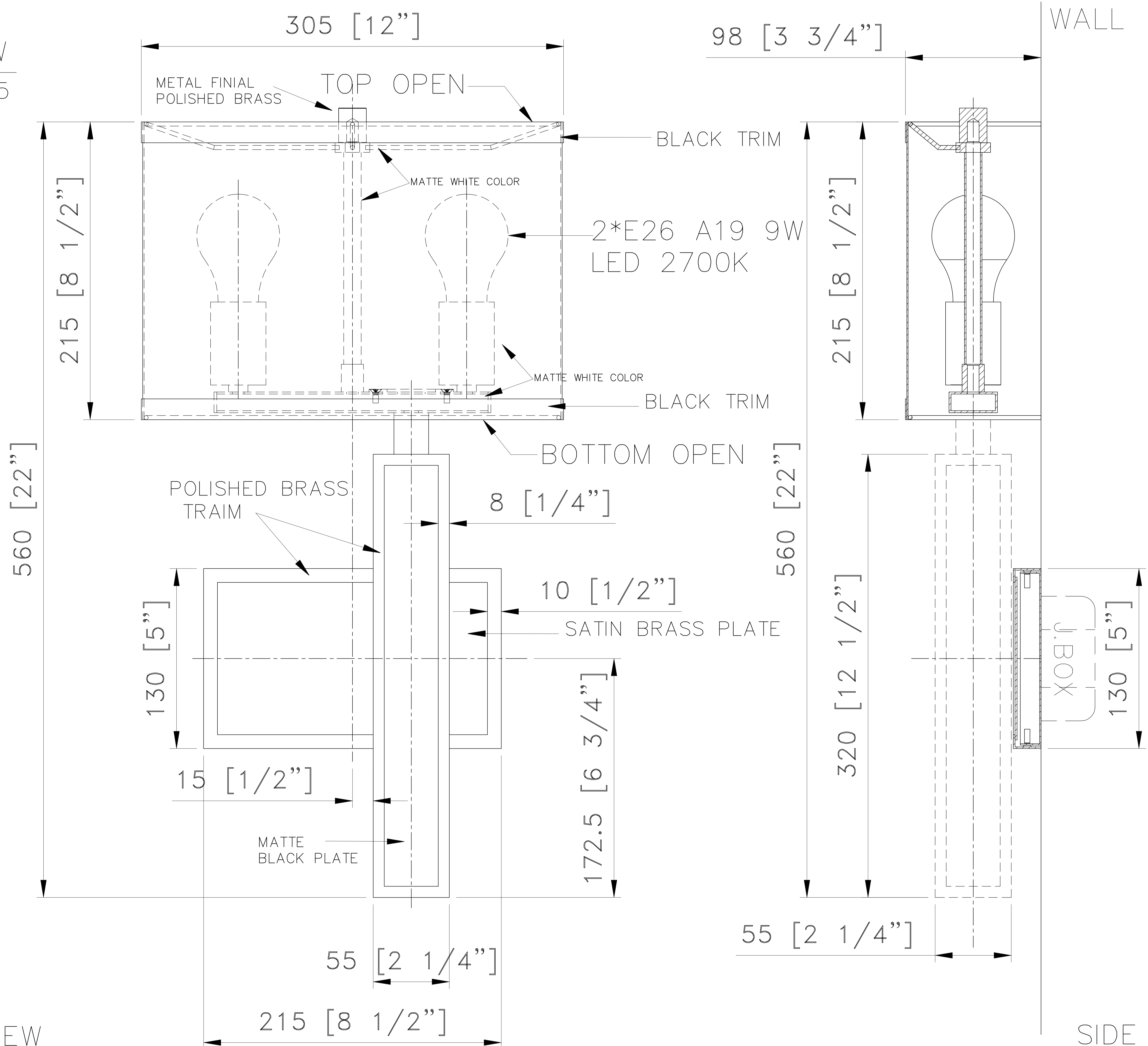
\*\*\*APPROX MAX.WEIGHTS: 6LBS



WHITE LINEN ON STYRENE HARDBACK W/BLACK FABRIC TRIMS

3D VIEW

TOP VIEW  
SCALE: 1 : 5



FRONT VIEW  
SCALE: 1 : 5

SIDE VIEW  
SCALE: 1 : 5

**CUSTOM WALL SCONCE**

ITEM NO: CEN-WS-0869-R QTY: 60PCS

Approval:  Date: \_\_\_\_\_

With comments: \_\_\_\_\_

Signed By: \_\_\_\_\_

Estimated Leads time are contingent upon receiving approved submittals and are subject to change

**Harbor Towers**

Les Industries CENTURY Industries Inc.

5645 Royalmount Ave.

Dwg. #

Montreal, Quebec, Canada H4P 2P9

Tel: 514-842-3933 Fax: 514-842-7481

Toll free Canada only: 1-877-842-3934

Date: 2024/02/29 Rev: \_\_\_\_\_

(yyyy/mm/dd)

(yyyy/mm/dd)

