



CENTURY

LIGHTING | ART | DESIGN

joekrauslighting 

301-537-5808

joe@joekrauslighting.com

www.joekrauslighting.com

Lion's Gate

→ 401-409
← 410-418



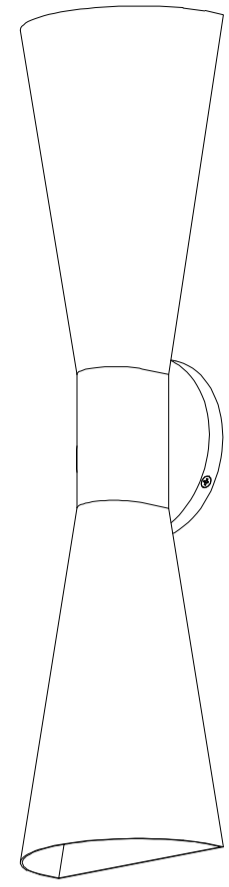
→ 401-409
← 410-418



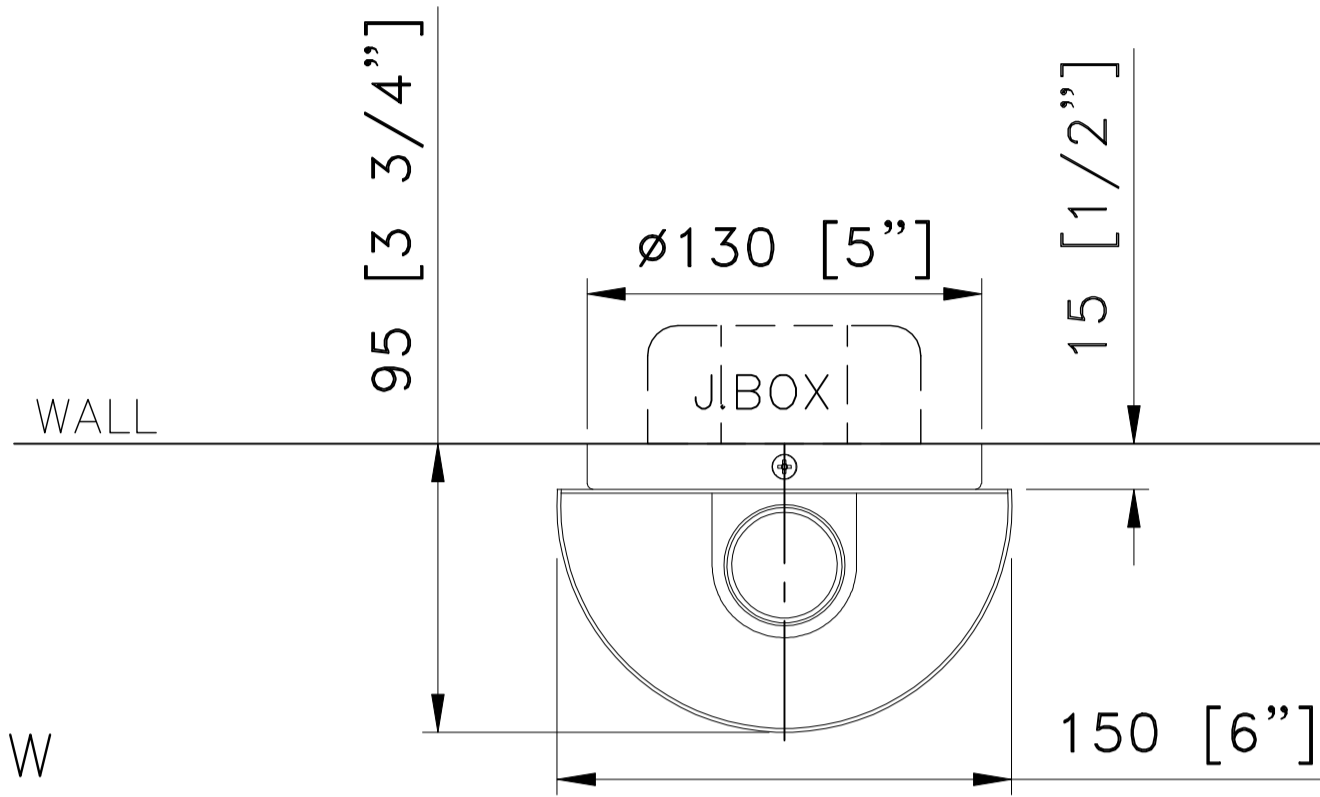
NOTES:
 1)METAL: ALL EXPOSED METAL FINISH TO BE POLISHED NICKEL
 2)SOCKET: 2xEDISON BASE MED, 277V.A.C.60Hz.COMPATIBLE W/E26 CORN LED BULB, 12W 2700K.1320LUMENS, BULB NOT INCLUDED
 3)HARD WIRED
 UL/CUL APPROVED
 ***APPROX MAX. WEIGHTS: 5LBS



E26 CORN LED BULB, 12W LED 2700K 1320Lm

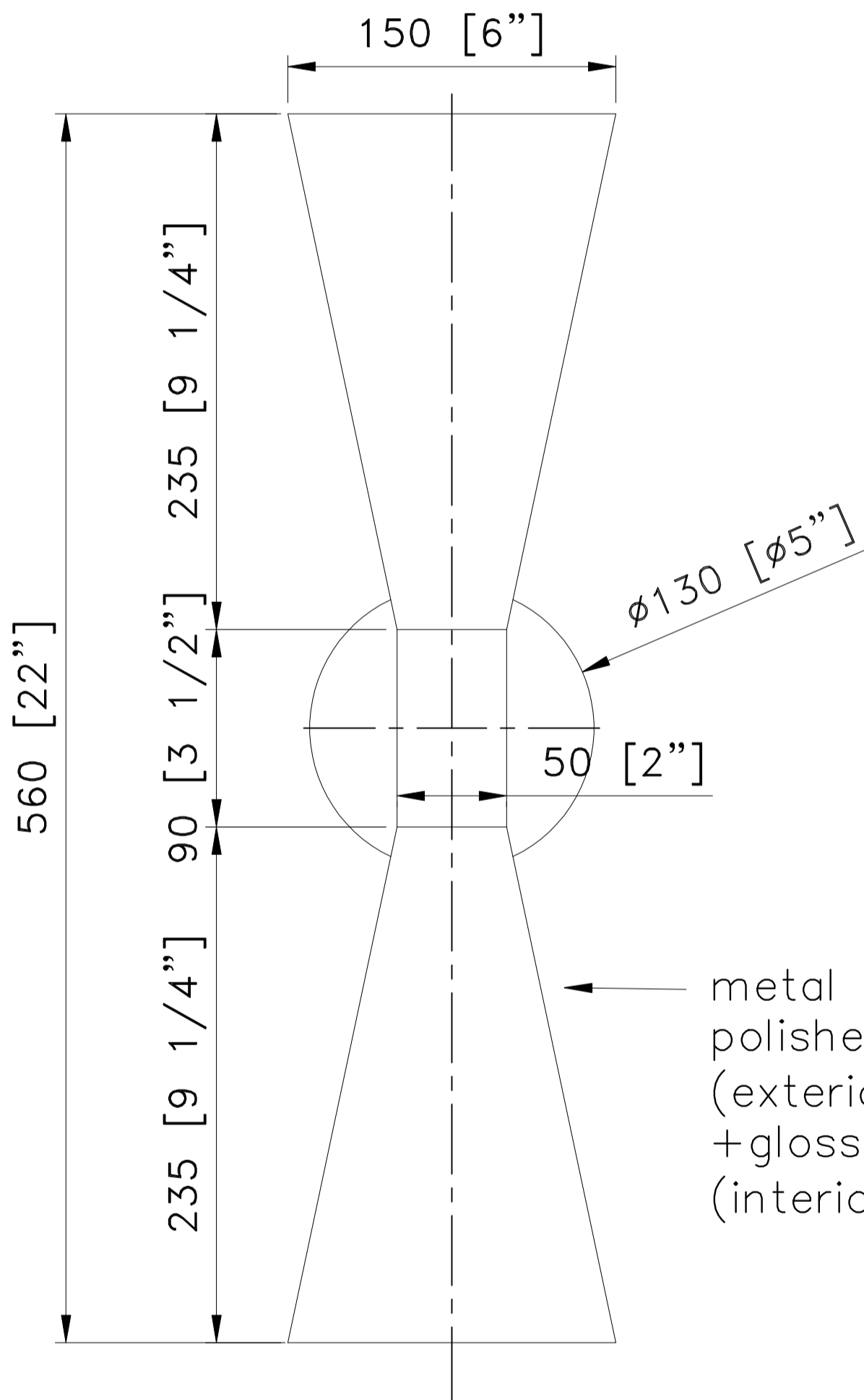


3D VIEW



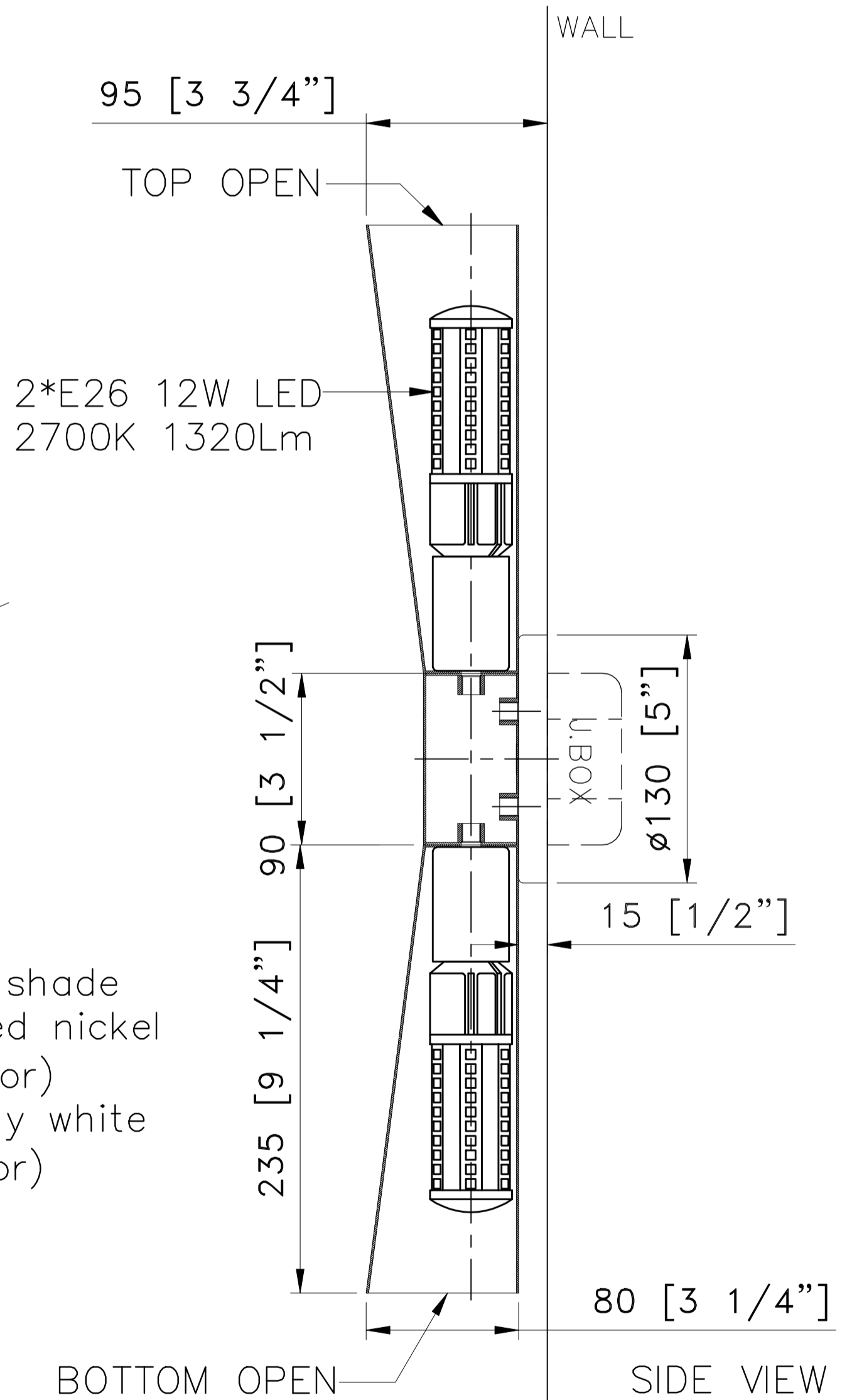
TOP VIEW

SCALE: 1 : 5



FRONT VIEW

SCALE: 1 : 5



BOTTOM OPEN

SIDE VIEW

SCALE: 1 : 5

metal shade polished nickel (exterior) +glossy white (interior)

CUSTOM WALL SCONCE@ELEVATOR LOBBY

ITEM NO:WS-2 QTY:22X

Lionsgate Condominiums

Bethesda, MD

Approval: Date: 9/21/22

With comments: APPROVED FOR SAMPLE PRODUCTION

Signed By: P. HARTMAN

Estimated Leads time are contingent upon receiving approved submittals and are subject to change

Les Industries CENTURY Industries Inc.
 5645 Royalmount Ave.
 Montreal, Quebec, Canada H4P 2P9
 Tel:514-842-3933 Fax:514-842-7481
 Toll free Canada only:1-877-842-3934
 Date:2022/09/19 Rev: (yyyy/mm/dd)

Dwg. #

P 1/1