



CENTURY

LIGHTING | ART | DESIGN

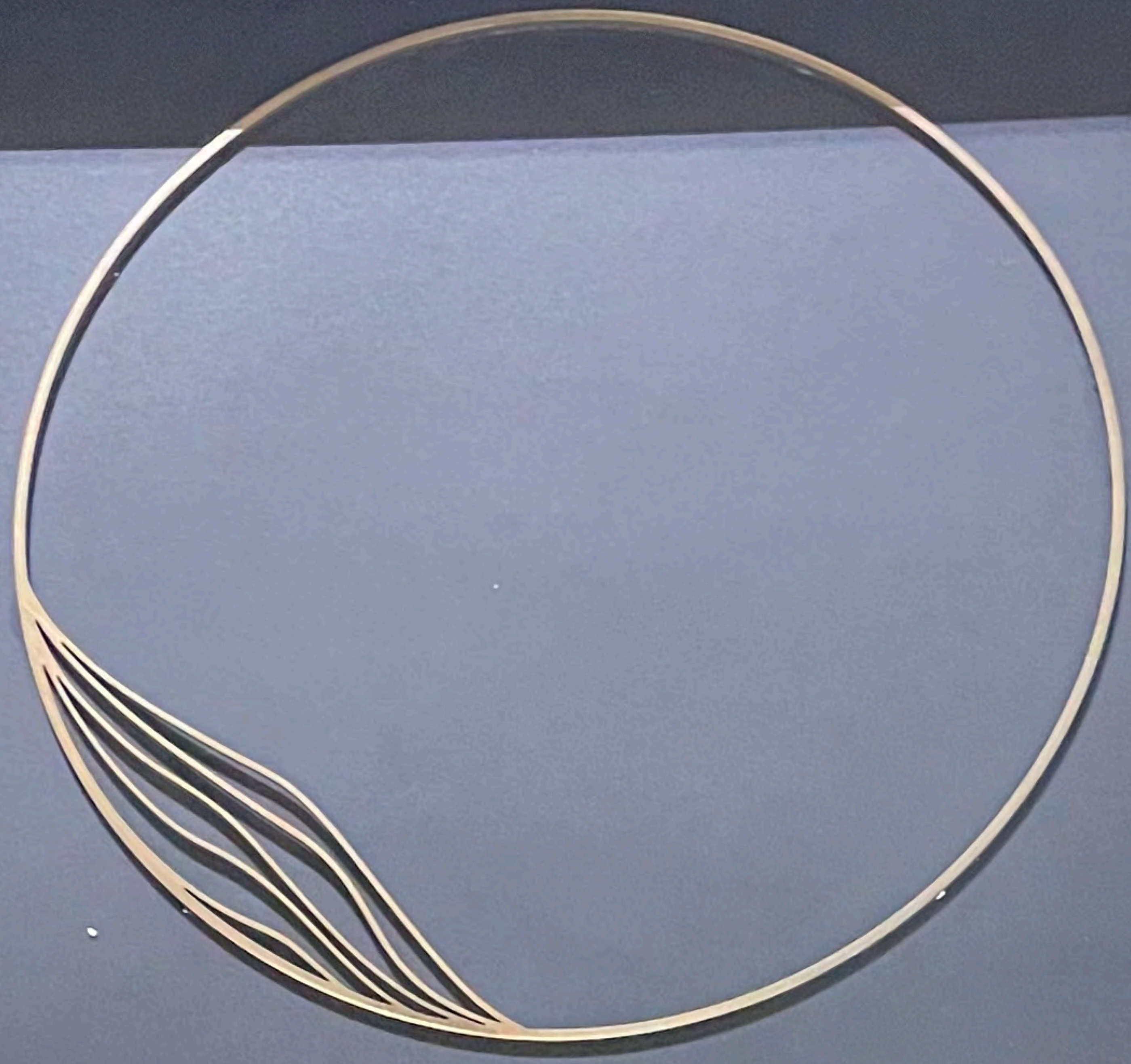
joekrauslighting

301-537-5808

joe@joekrauslighting.com

www.joekrauslighting.com

The VVellvareere



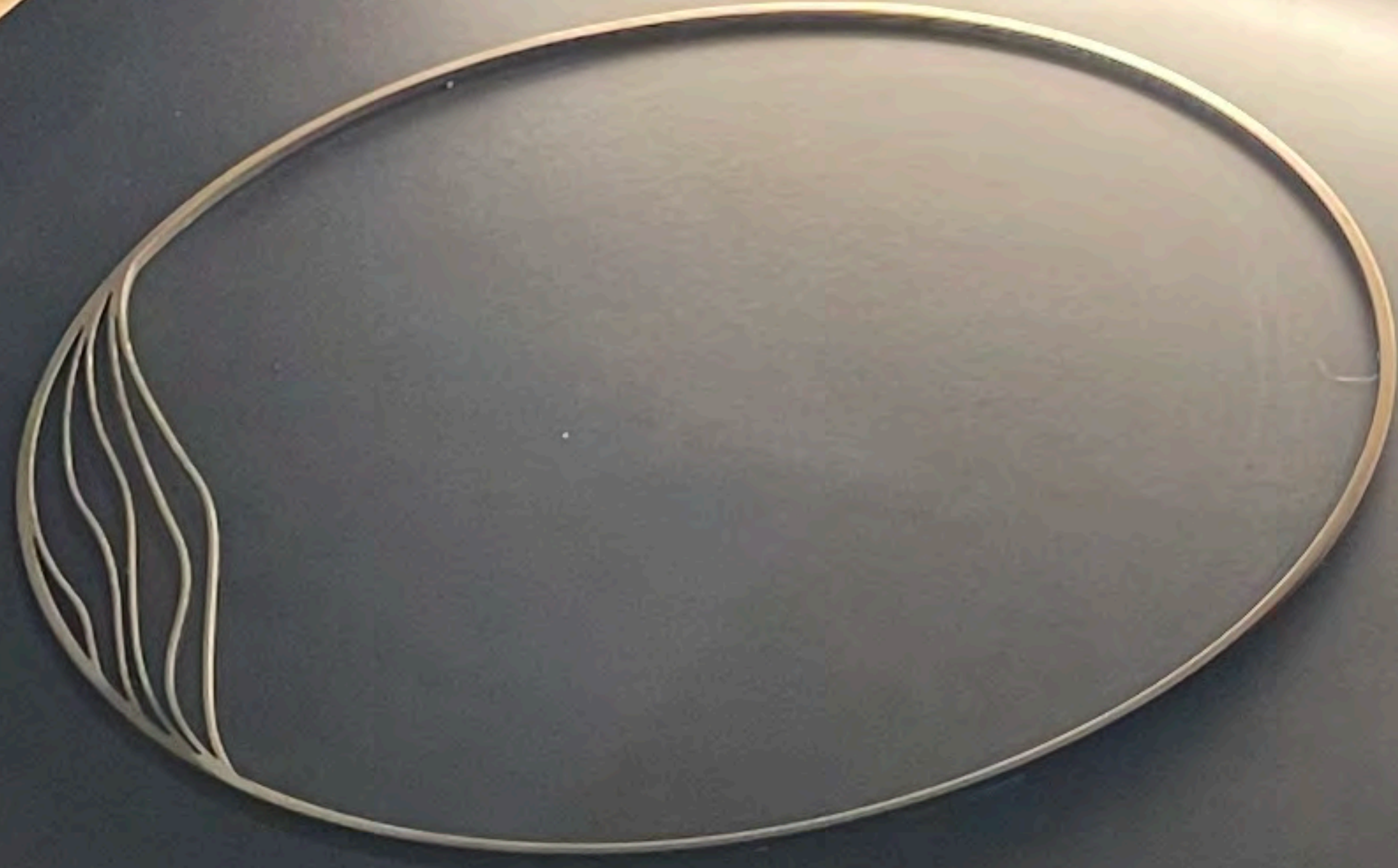
velvære

1023

FRAGILE

12X

CAT. NO.

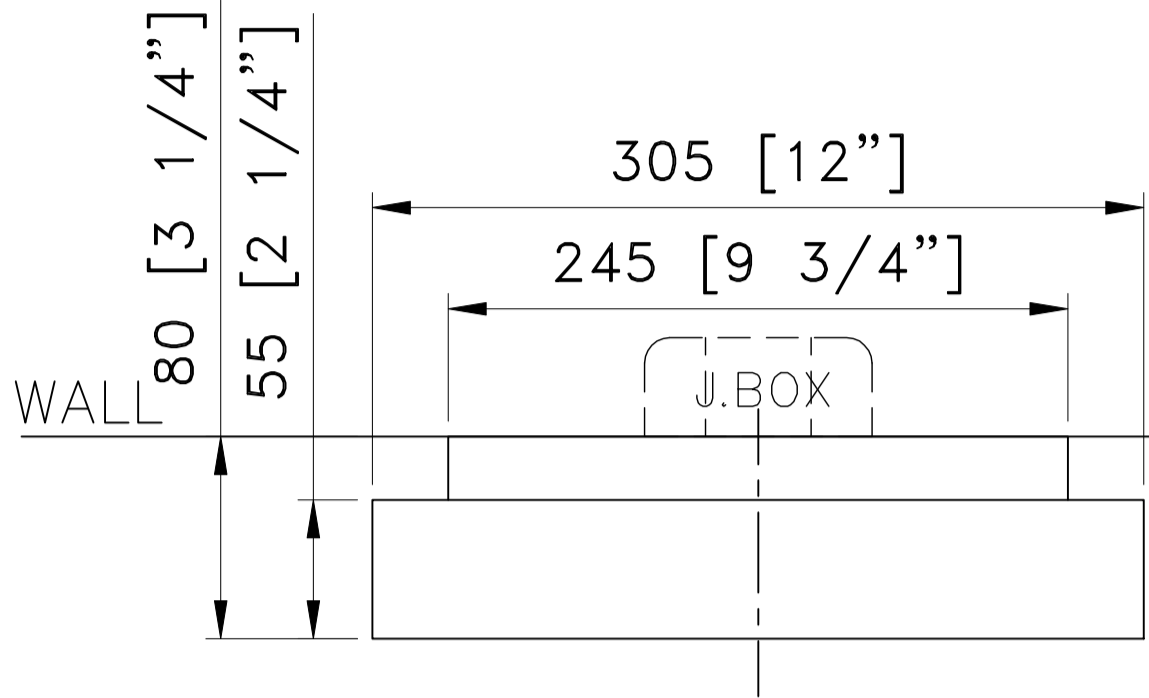


velvære

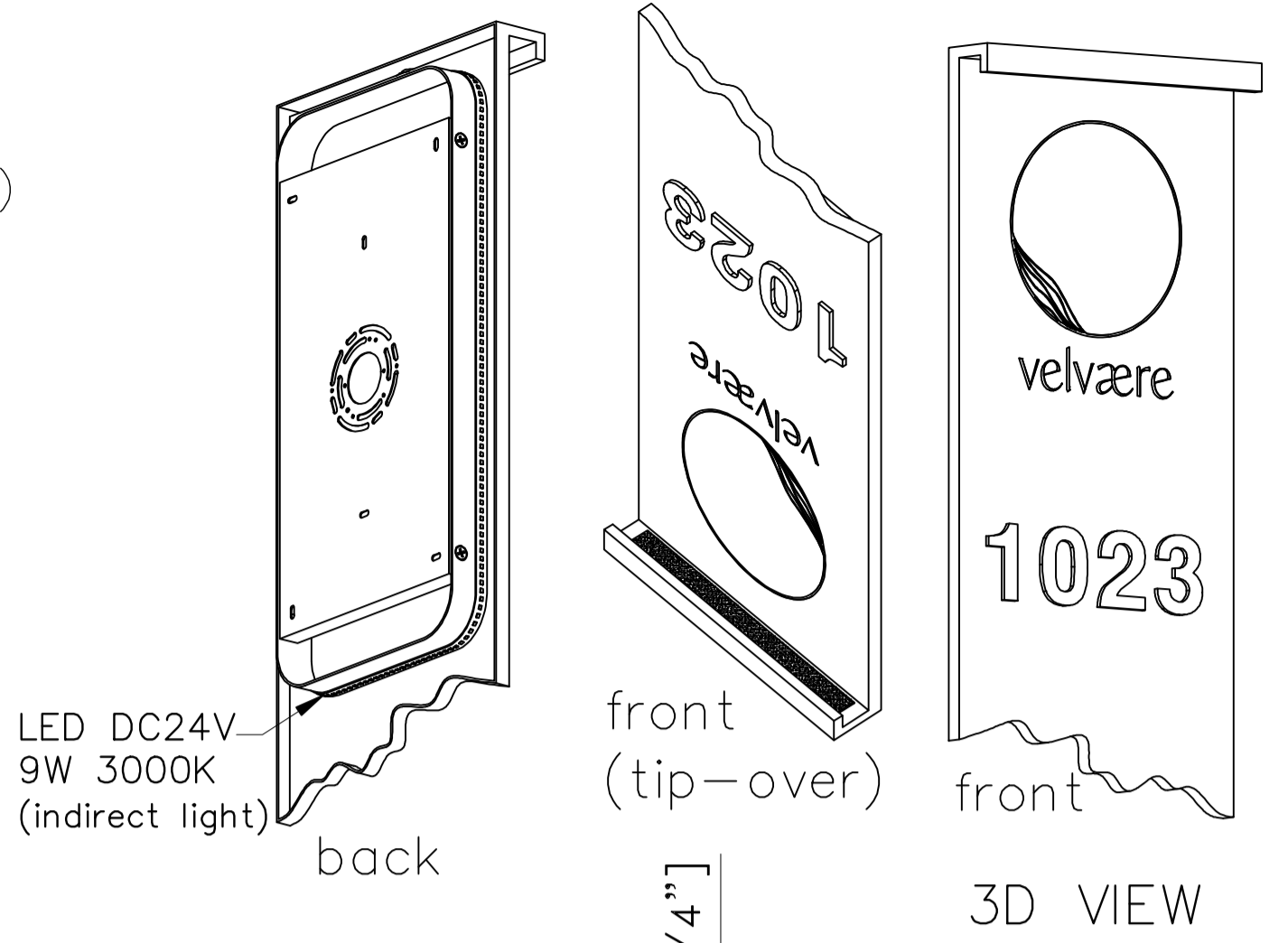
1023



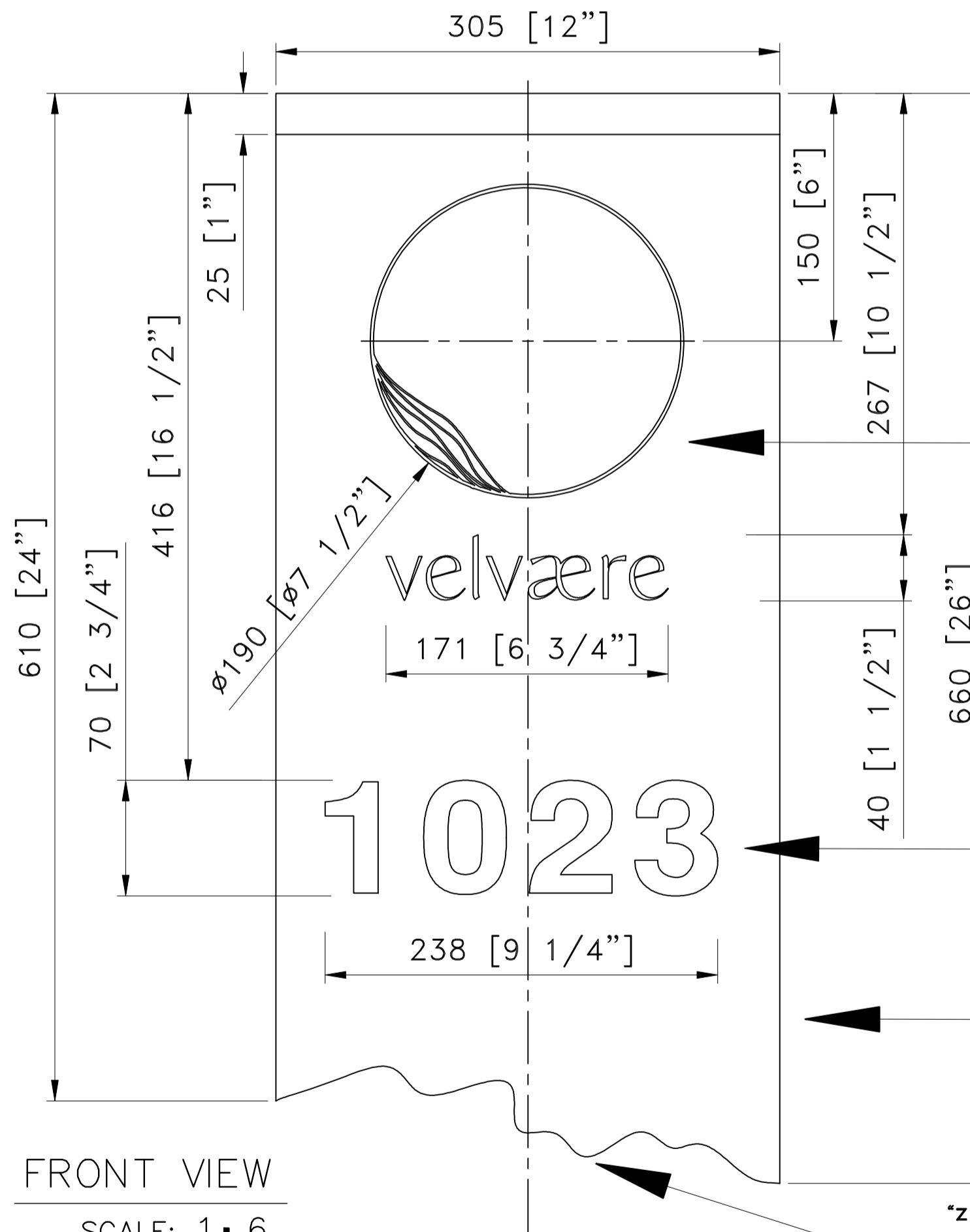
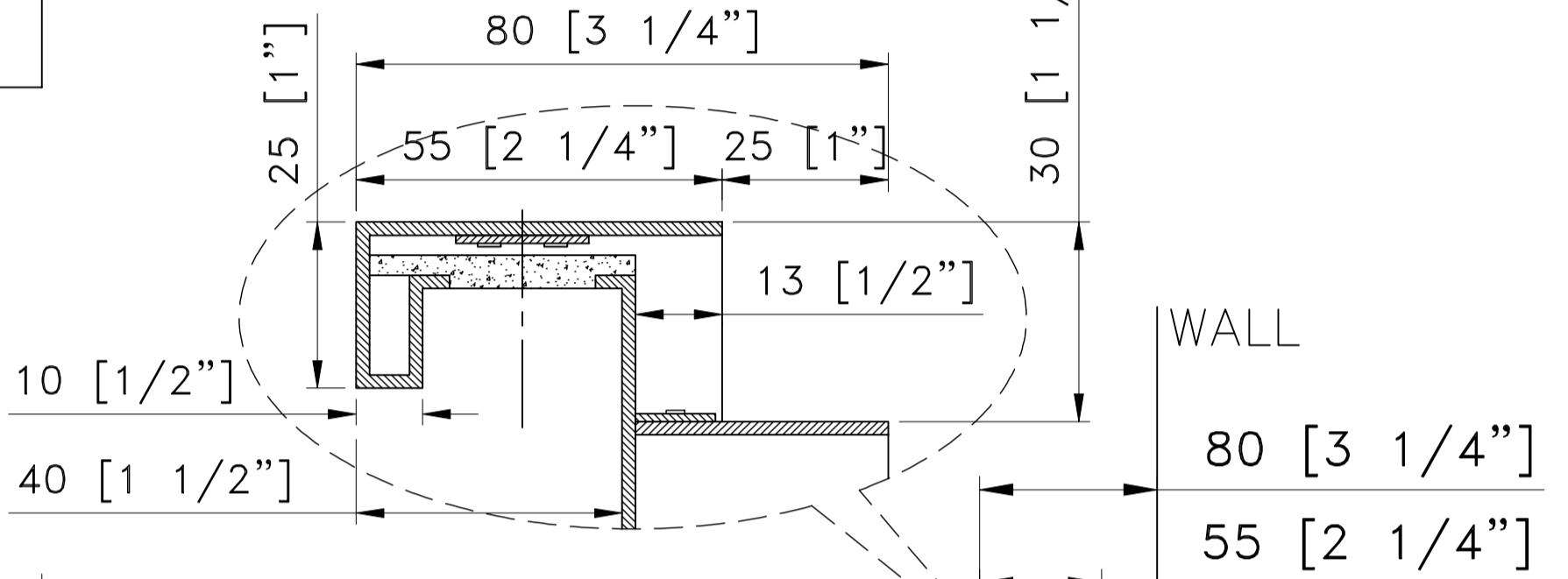
- NOTES:
 1)METAL: ALL EXPOSED METAL FINISH TO BE POLISHED BRONZE
 2)DIFFUSER: GLEAR ACRYLIC.
 3)LAMPING: INTEGRATED LED 9W(INDIRECT LIGHT)+2W(DOWN LIGHT)
 3000K. NON DIMMABLE. W/DRIVER.120V.A.C.60 Hz
 4)W/"Velvaere"logo(silk screen print)+SIGNAGE(Varied by room)
 5)HARD WIRED
 UL/CUL APPROVED
 ****APPROX. MAX. WEIGHTS: 12LBS



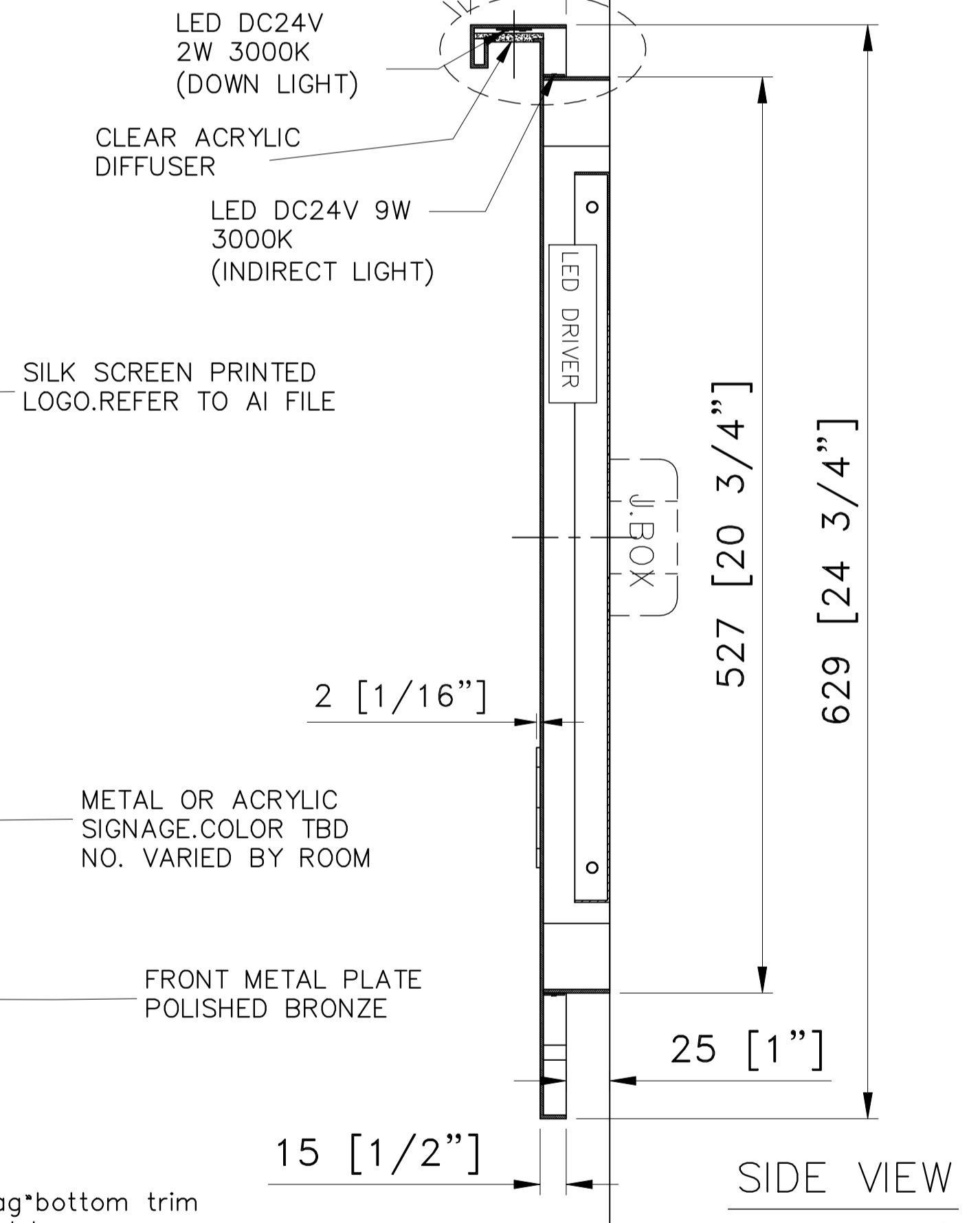
TOP VIEW
 SCALE: 1 : 6



3D VIEW



FRONT VIEW
 SCALE: 1 : 6



SIDE VIEW
 SCALE: 1 : 6

CUSTOM UNIT ENTRY WALL SCONCE W/SIGNAGE/LOGO

ITEM NO: CEN-WS-0708 QTY: 2000X

Approval: Date: _____

With comments: _____

Signed By: _____

Estimated Leads time are contingent upon receiving approved submittals and are subject to change

Les Industries CENTURY Industries Inc.
 5645 Royalmount Ave.
 Montreal, Quebec, Canada H4P 2P9
 Tel: 514-842-3933 Fax: 514-842-7481
 Toll free Canada only: 1-877-842-3934
 Date: 2023/04/12 Rev: _____
 (yyyy/mm/dd) (yyyy/mm/dd)

Dwg. #

P 1/1