



CENTURY

LIGHTING | ART | DESIGN

joekrauslighting

301-537-5808

joe@joekrauslighting.com

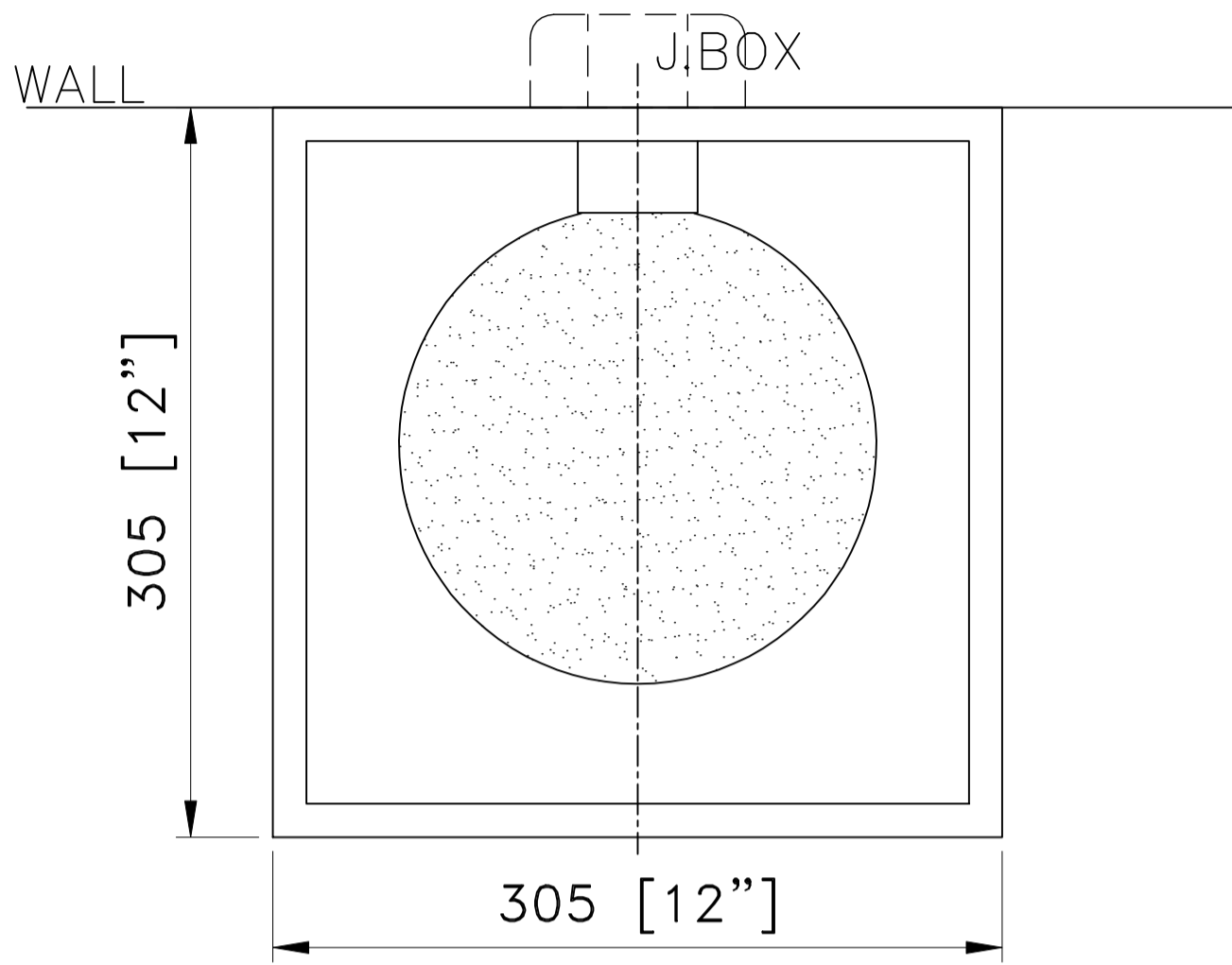
www.joekrauslighting.com

Hantzman W. Wiebel

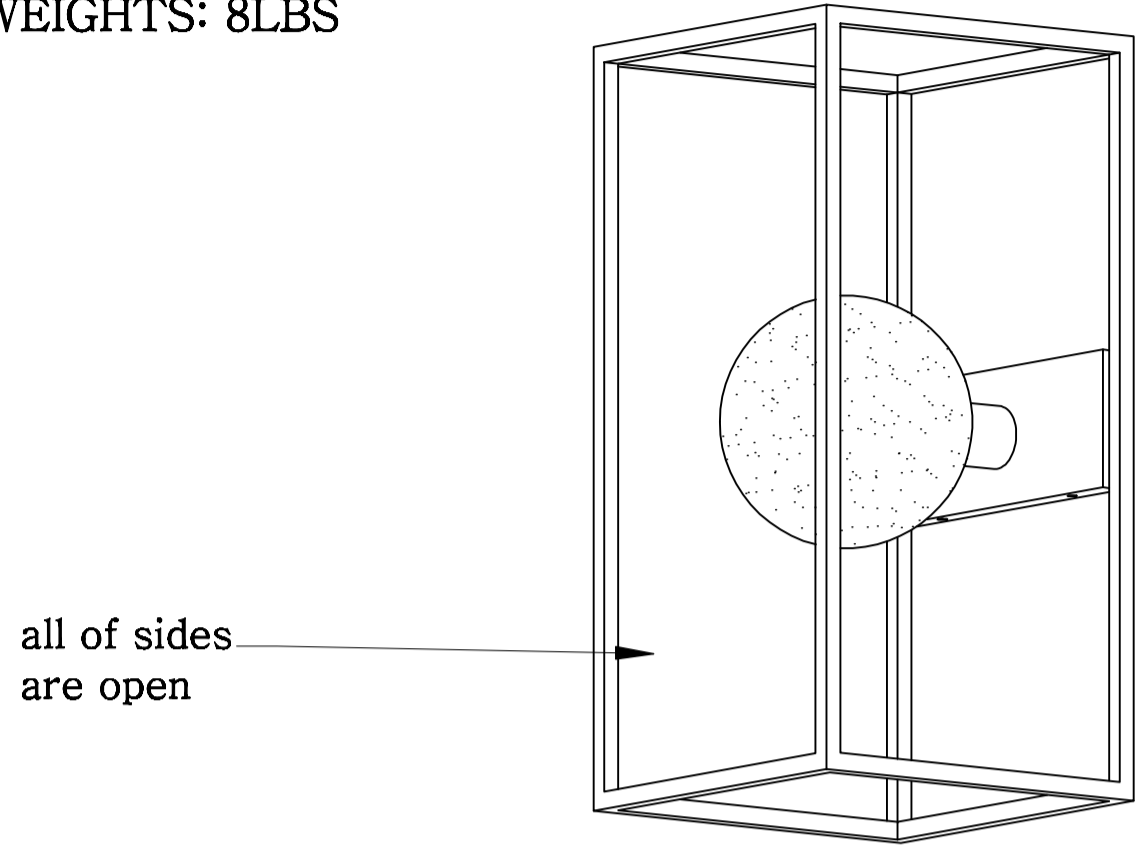


NOTES:

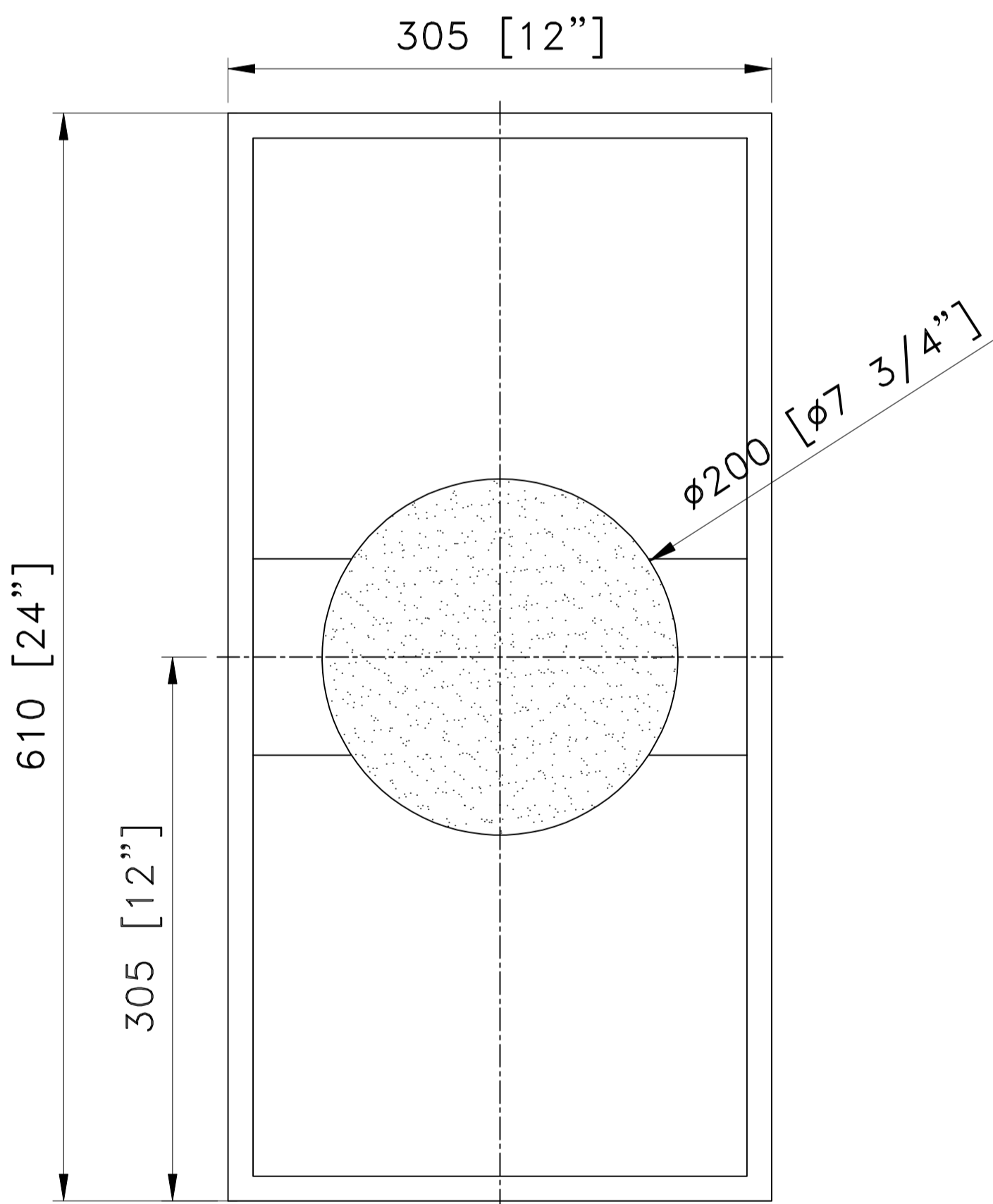
- 1) METAL: ALL EXPOSED METAL FINISH TO BE SOLID BRASS
- 2) SHADE: FROSTED WHITE GLASS GLOBE
- 3) SOCKET: 1xG9 BASE. 120V.A.C. 50-60Hz. COMPATIBLE W/G9 MAX.6W 2700K. DIMMABLE. BULB NOT INCLUDED
- 4) HARD WIRED
- UL/CUL APPROVED
- ***APPROX MAX. WEIGHTS: 8LBS



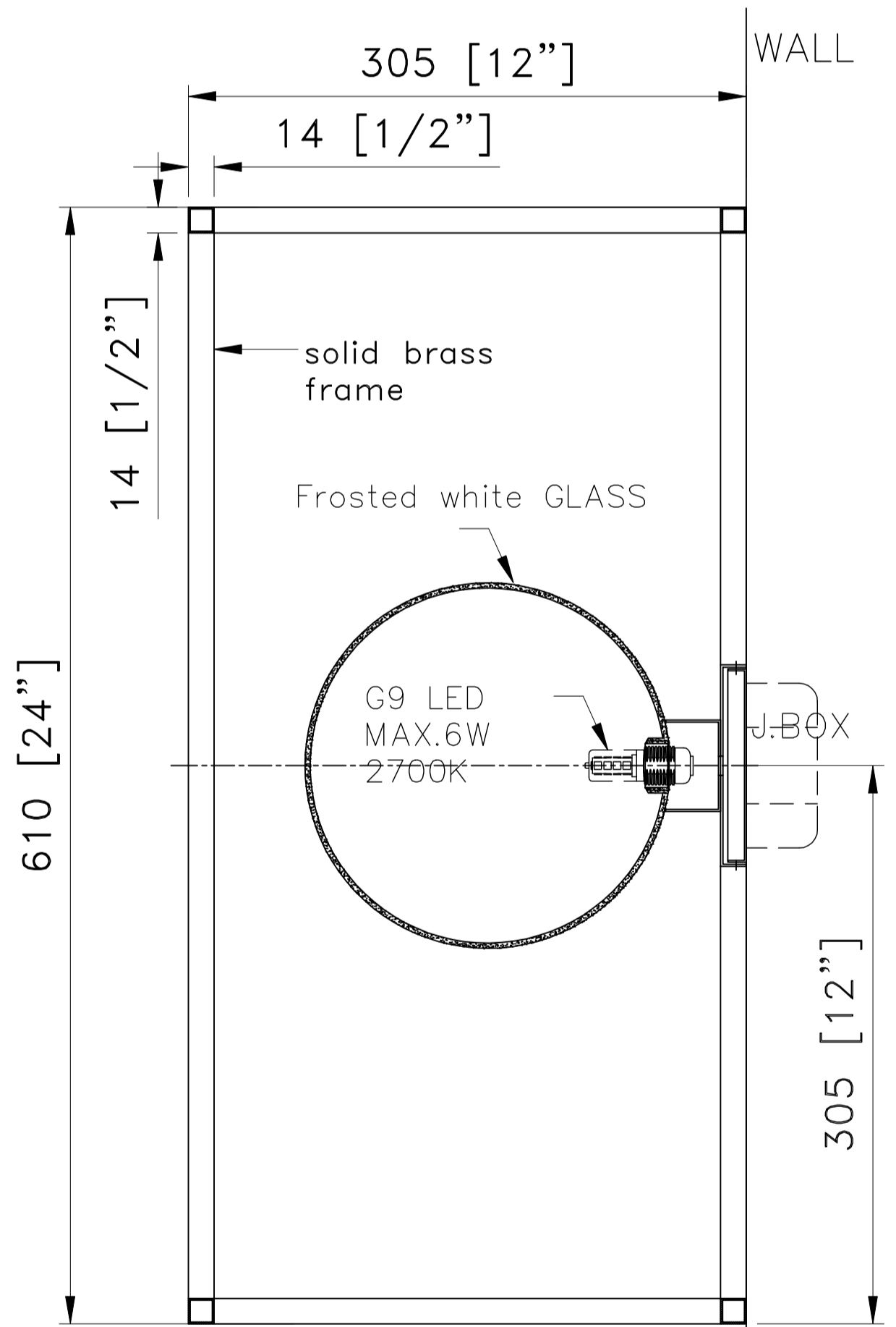
TOP VIEW
SCALE: 1 : 6



3D VIEW



FRONT VIEW
SCALE: 1 : 6



SIDE VIEW
SCALE: 1 : 6

CUSTOM BRASS WALL SCONCE

ITEM NO: CENT-CW-0091 QTY: 2PCS

Approval: Date: _____

With comments: _____

Signed By: _____

Estimated Leads time are contingent upon receiving approved submittals and are subject to change

Les Industries CENTURY Industries Inc.
 5645 Royalmount Ave.
 Montreal, Quebec, Canada H4P 2P9
 Tel: 514-842-3933 Fax: 514-842-7481
 Toll free Canada only: 1-877-842-3934
 Date: 2021/08/19 Rev: _____
 (yyyy/mm/dd) (yyyy/mm/dd)

Dwg. #