



CENTURY

LIGHTING | ART | DESIGN

joekrauslighting

301-537-5808

joe@joekrauslighting.com

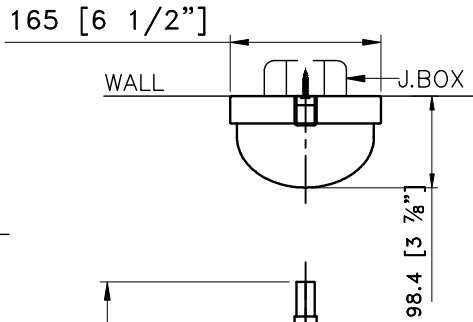
www.joekrauslighting.com

Caesar's Ocean Towers





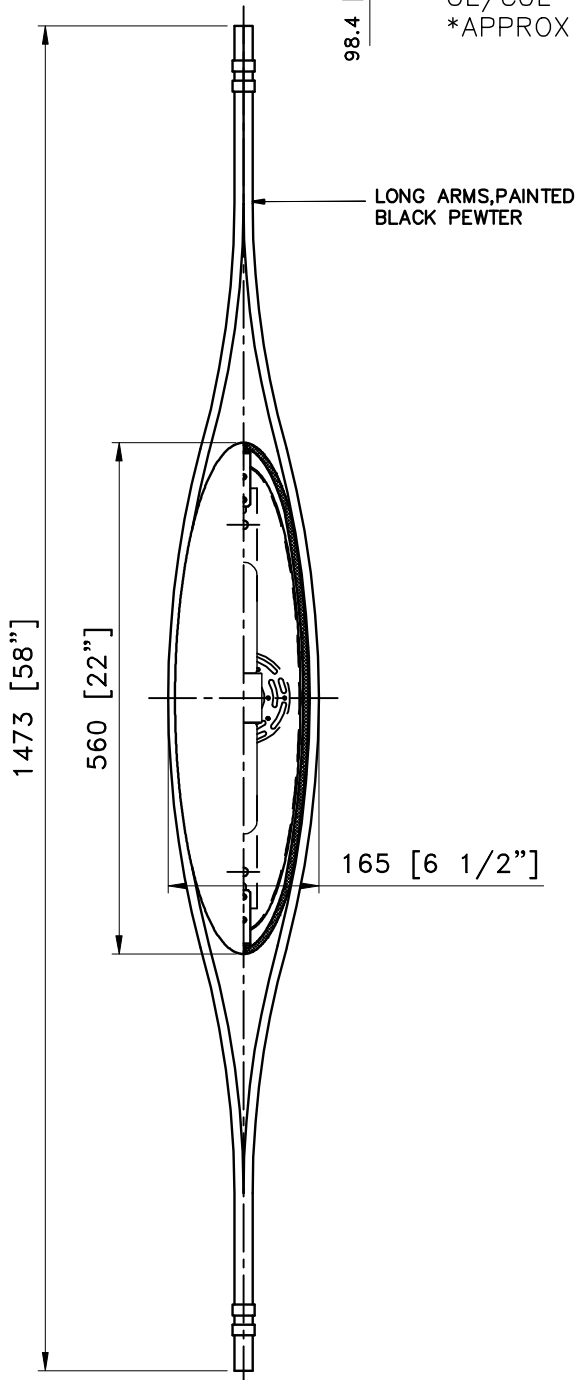
TOP VIEW
SCALE: 1:8



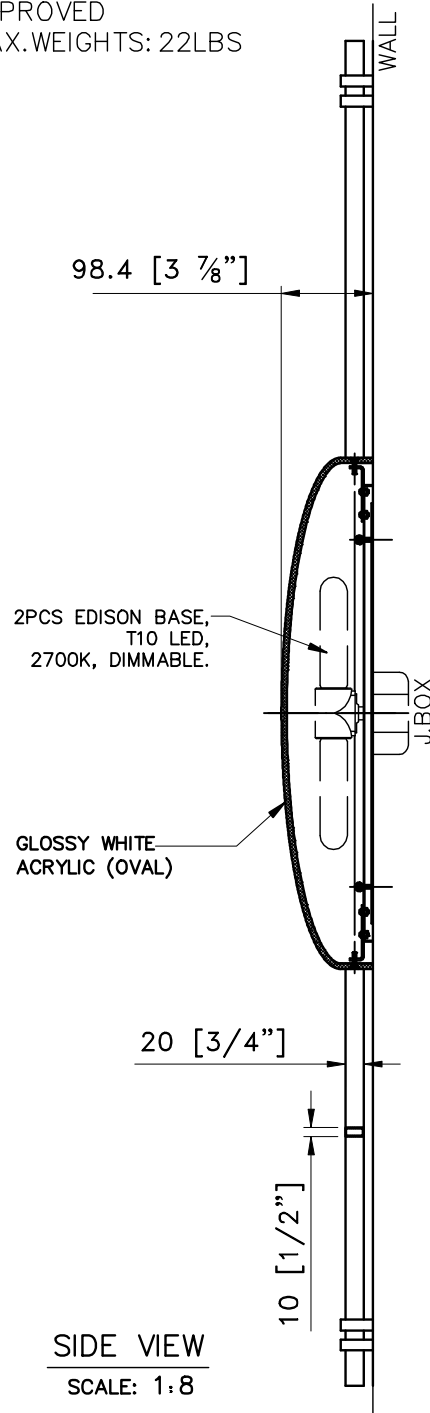
NOTES:

- 1) METAL: ALL EXPOSED METAL FINISH TO BE "ENGLISH BRONZE".
 - 2) SHADE: "GLOSSY WHITE" OVAL ACRYLIC.
 - 3) SOCKETS: 2x EDISON BASE MED. 120V.A.C 50-60Hz, COMPATIBLE W/E26 T10 LED, 2700K DIMMABLE, (Bulbs not included). HARDWIRED. UL/CUL APPROVED
- *APPROX MAX.WEIGHTS: 22LBS

FRONT VIEW
SCALE: 1:8



SIDE VIEW
SCALE: 1:8



SCONCE @ ELEVATOR LOBBY

ITEM NO: GC-LT-200 QTY: 40pcs

Approval: Date: _____

With comments: _____

Signed By: _____

Estimated Leads time are contingent upon receiving approved submittals and are subject to change

OCEAN TOWER-2

ATLANTIC CITY, NJ.

Les Industries CENTURY Industries Inc.
5645 Royalmount Ave. Dwg.#

Montreal, Quebec, Canada H4P 2P9

Tel: 514-842-3933 Fax: 514-842-7481

Toll free Canada only: 1-877-842-3934

Date: 2021/03/26 Rev: 2021/05/11

(yyyy/mm/dd)

(yyyy/mm/dd)