



CENTURY

LIGHTING | ART | DESIGN

joekrauslighting

301-537-5808

[joe@joekrauslighting.com](mailto:joe@joekrauslighting.com)

[www.joekrauslighting.com](http://www.joekrauslighting.com)

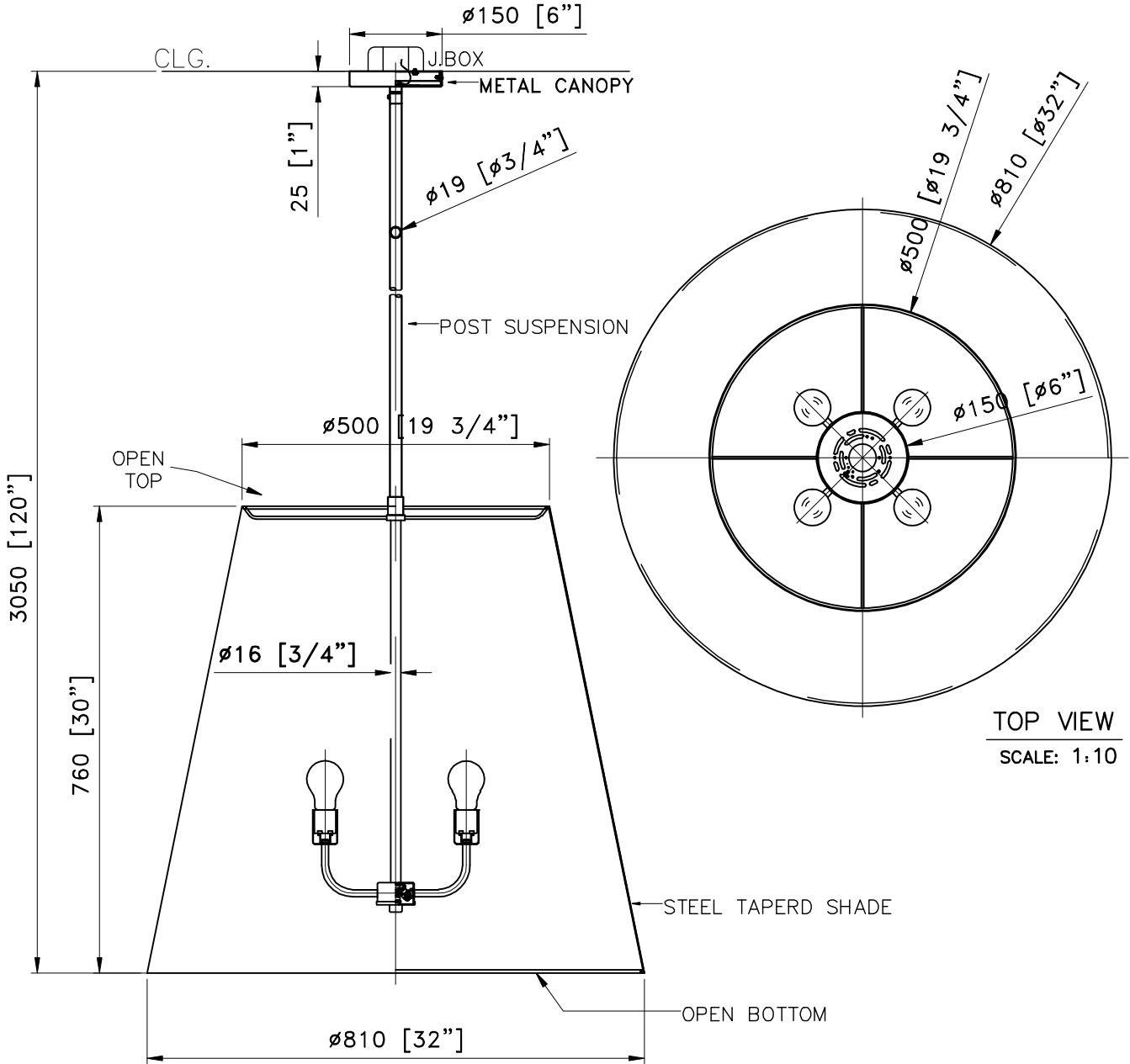


NOTES:

- 1) METAL: ALL EXPOSED METAL FINISH TO BE POWDERCOAT "MATTE BLACK" OR "TBD" .
- 2) SHADE: SPUN TAPERED STEEL, POWDERCOAT "COLOR TBD , GLOSSY"(EXTERIOR) POWDERCOAT "TBD" (INTERIOR).
- 3) SOCKETS: 4x EDISON BASE MED.120V.A.C 50-60Hz COMPATIBLE W/ E26 MAX 9W EA LED 2700K,120V. NON-DIMMBLE. HARDWIRED.

UL/CUL APPROVED

\*APPROX MAX. WEIGHTS: 20LBS



FRONT VIEW

SCALE: 1:10

TOP VIEW

SCALE: 1:10

3D VIEW

**CUSTOM TAPERED STEEL PENDANT**

ITEM NO: LFIX-4 QTY: 3x

Approval:  Date: \_\_\_\_\_

With comments: \_\_\_\_\_

Signed By: \_\_\_\_\_

Estimated Leads time are contingent upon receiving approved submittals and are subject to change

**WILLARDS APARTMENTS**

Baltimore, MD.

Les Industries CENTURY Industries Inc.  
 5645 Royalmount Ave. Dwg.#  
 Montreal, Quebec, Canada H4P 2P9  
 Tel: 514-842-3933 Fax: 514-842-7481  
 Toll free Canada only: 1-877-842-3934

Date: 2021/03/17 Rev: \_\_\_\_\_

(yyyy/mm/dd) (yyyy/mm/dd)

P1/1