



CENTURY

LIGHTING | ART | DESIGN

joekrauslighting

301-537-5808

joe@joekrauslighting.com

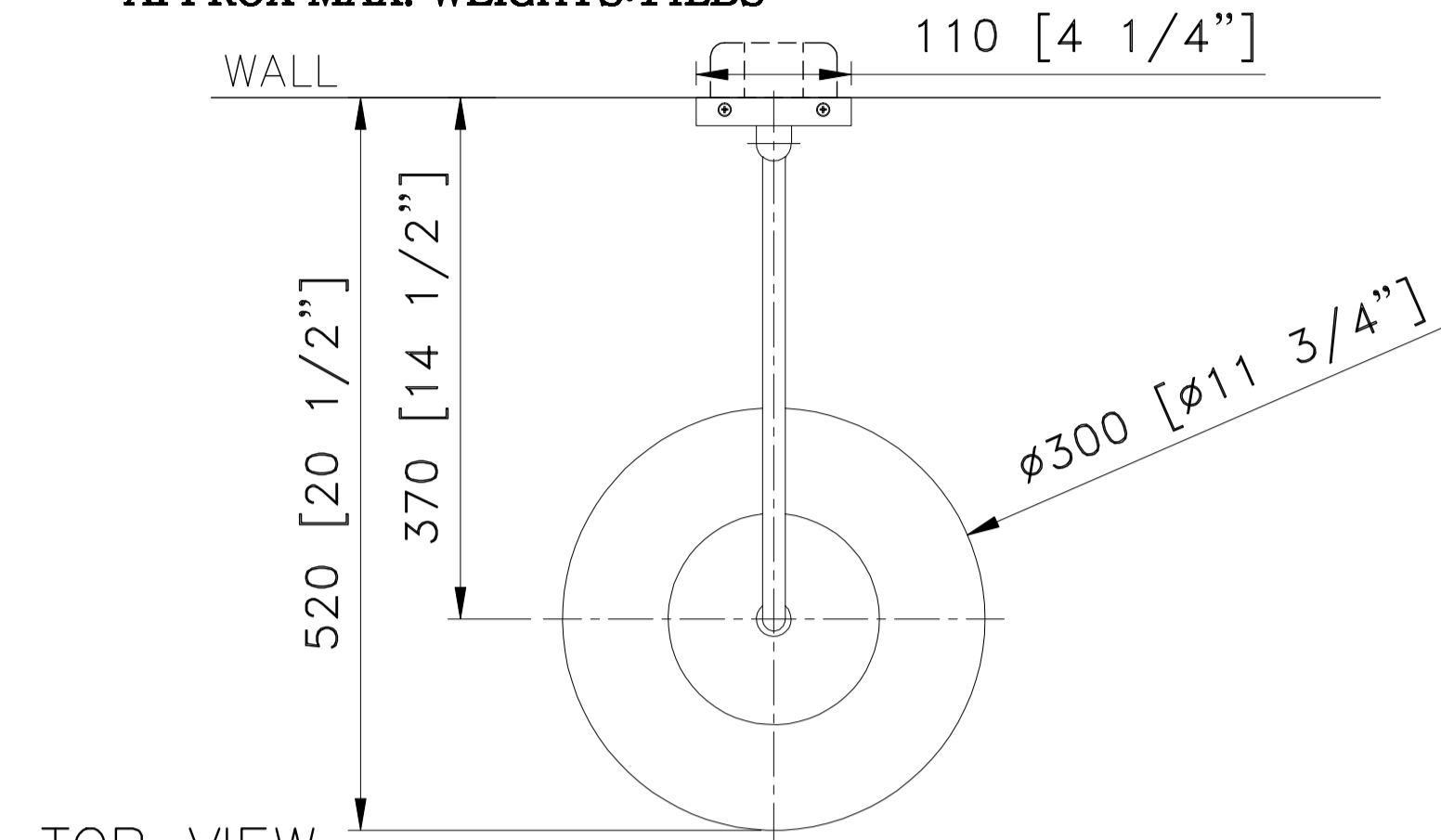
www.joekrauslighting.com



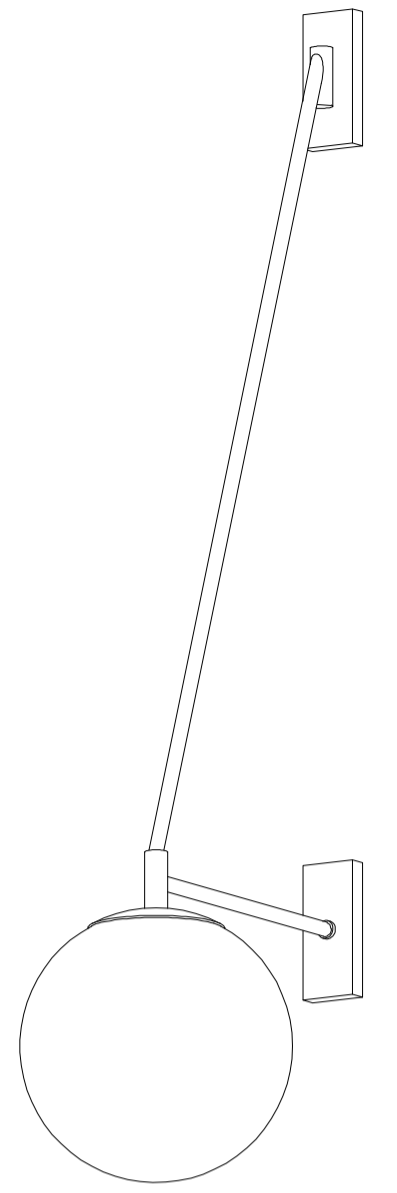
Rye Street Mailroom, Baltimore
Specifier - Aumen Asner

NOTES:

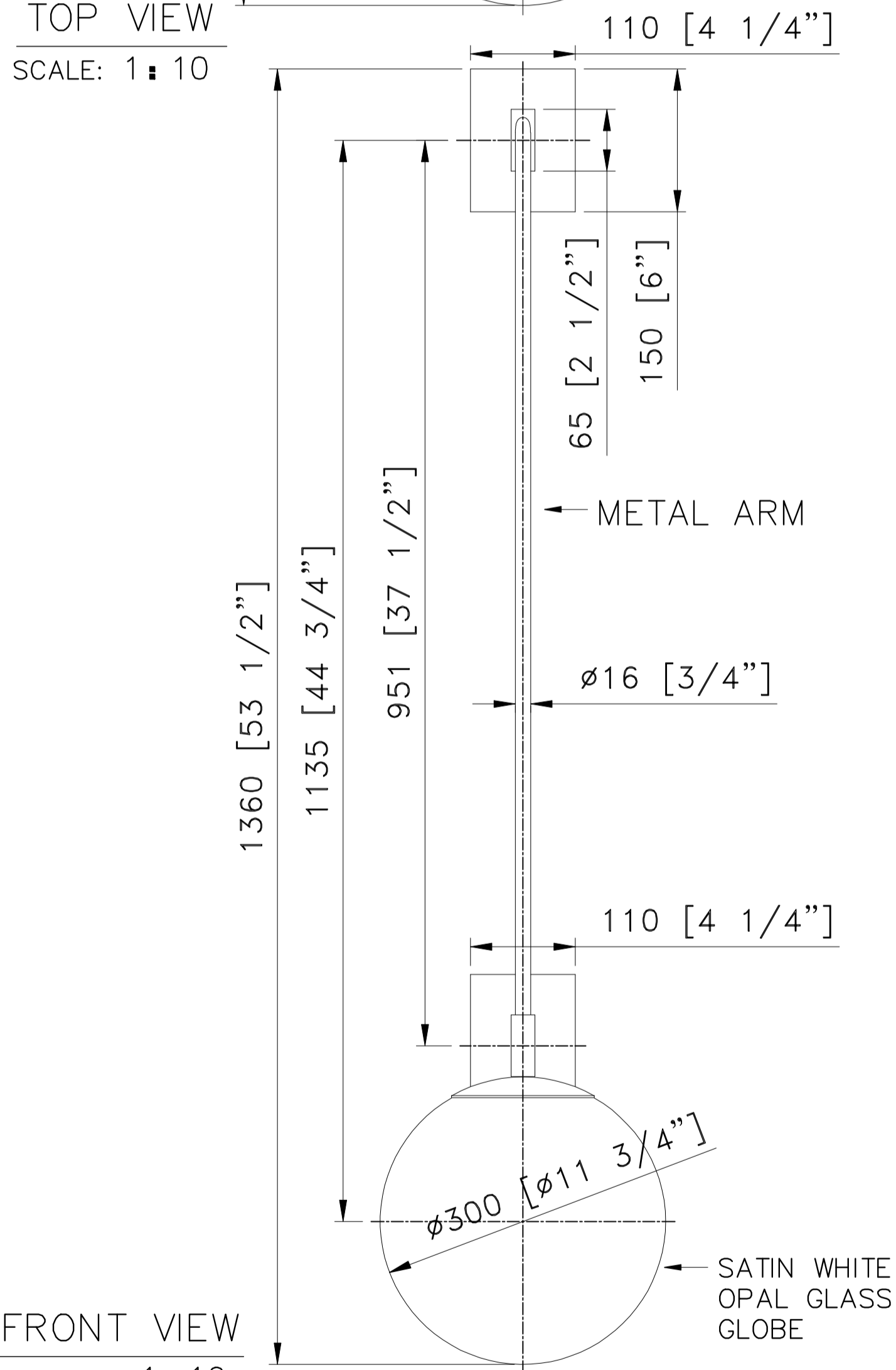
- 1) METAL: ALL EXPOSED METAL FINISH TO BE OIL RUBBED BRONZE
- 2) SHADE: SATIN WHITE OPAL GLASS GLOBES.
- 3) SOCKET: 1x EDISON BASE MED. 120 V.A.C. 50-60Hz. COMPATIBLE W/E26 A19 MAX. 9W LED 2700. DIMMABLE. BULB NOT INCLUDED
- 4) HARD WIRED
UL/CUL APPROVED
- *** APPROX MAX. WEIGHTS: 14LBS



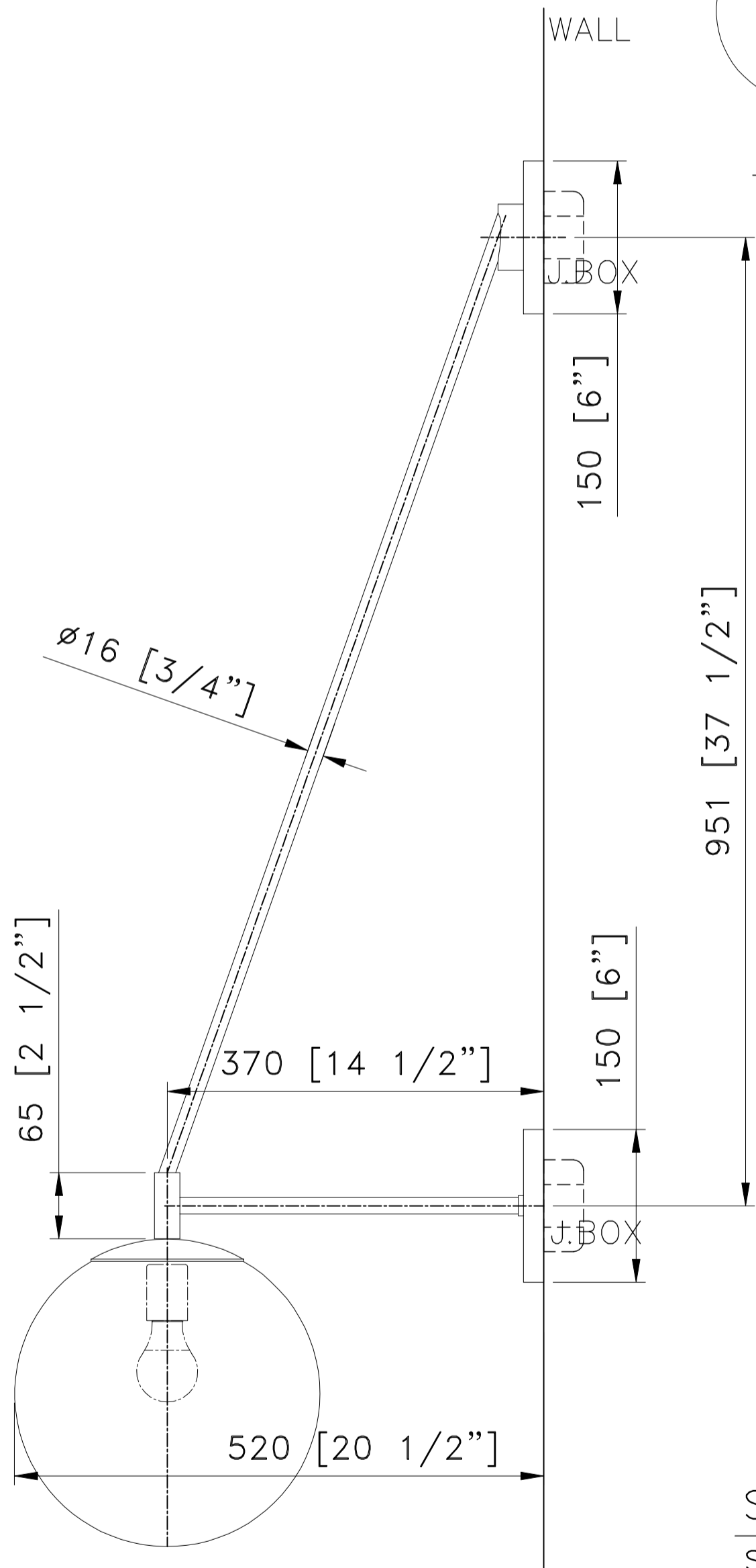
TOP VIEW
SCALE: 1 : 10



3D VIEW



FRONT VIEW
SCALE: 1 : 10



SIDE VIEW
SCALE: 1 : 10

CUSTOM WALL FIXTURE

ITEM NO: ID13 QTY: 7PCS

Approval: Date: _____

With comments: _____

Signed By: _____

Estimated Leads time are contingent upon receiving approved submittals and are subject to change

PORT COVINGTON RYE STREET RESIDENTIAL E6

Port Covington, MD

Les Industries CENTURY Industries Inc.

5645 Royalmount Ave.

Dwg. #

Montreal, Quebec, Canada H4P 2P9

Tel: 514-842-3933 Fax: 514-842-7481

Toll free Canada only: 1-877-842-3934

Date: 2021/09/27 Rev: _____

(yyyy/mm/dd)

(yyyy/mm/dd)

P 1/1