



CENTURY

LIGHTING | ART | DESIGN

joekrauslighting

301-537-5808

joe@joekrauslighting.com

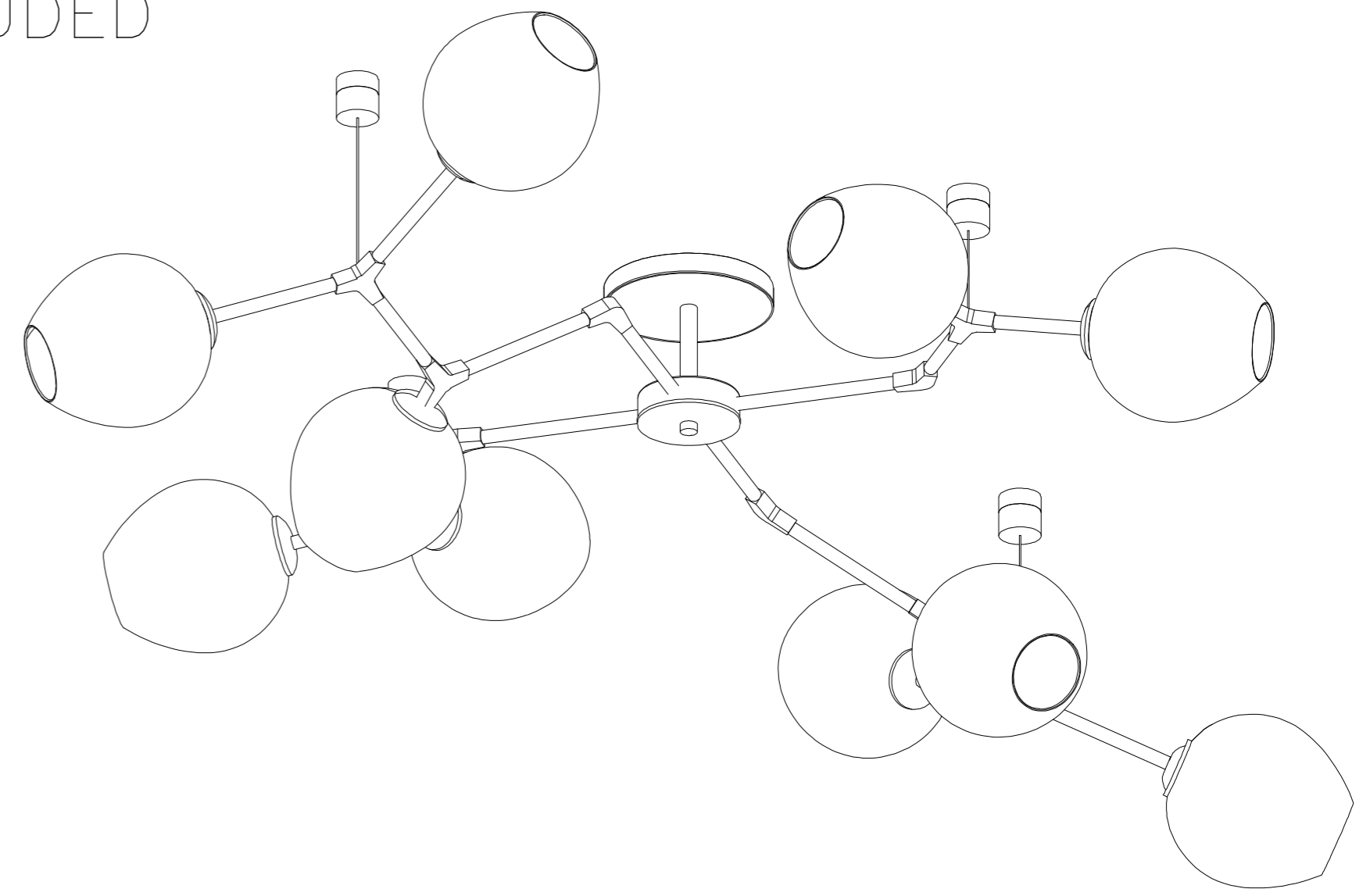
www.joekrauslighting.com



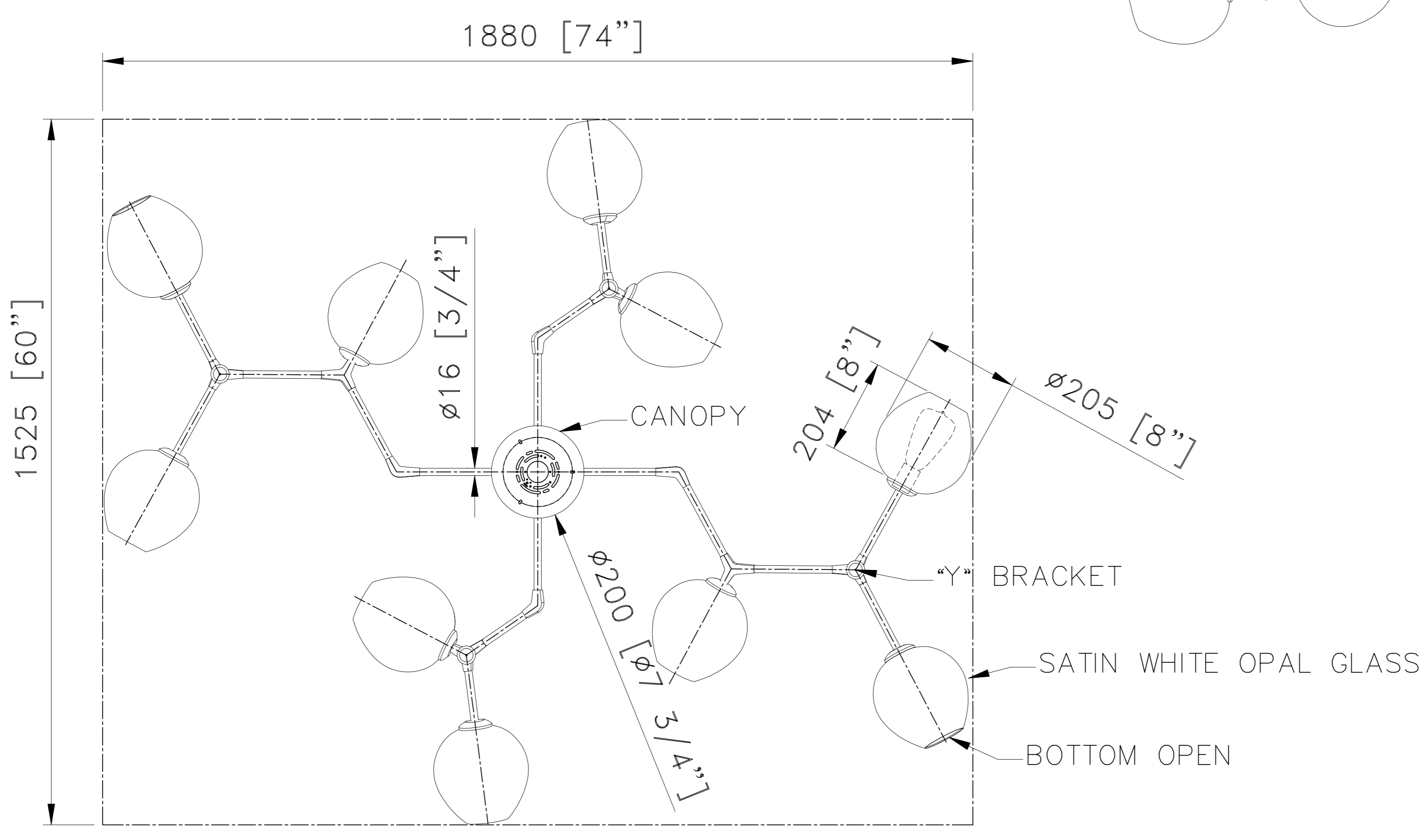


NOTES:

- 1)METAL: ALL EXPOSED METAL FINISH TO BE ANTIQUE BRASS
- 2)SHADE: 10*SATIN WHITE OPAL GLASS
- 3)SOCKETS: 10xEDISON BASE MED.110-120V.A.C.60Hz.COMPATIBLE W/E26 ST64 MAX.9W LED 2700K. DIMMABLE. BULB NOT INCLUDED
- 4)HARD WIRED
- UL/CUL APPROVED
- ***APPROX MAX. WEIGHTS: 45LBS

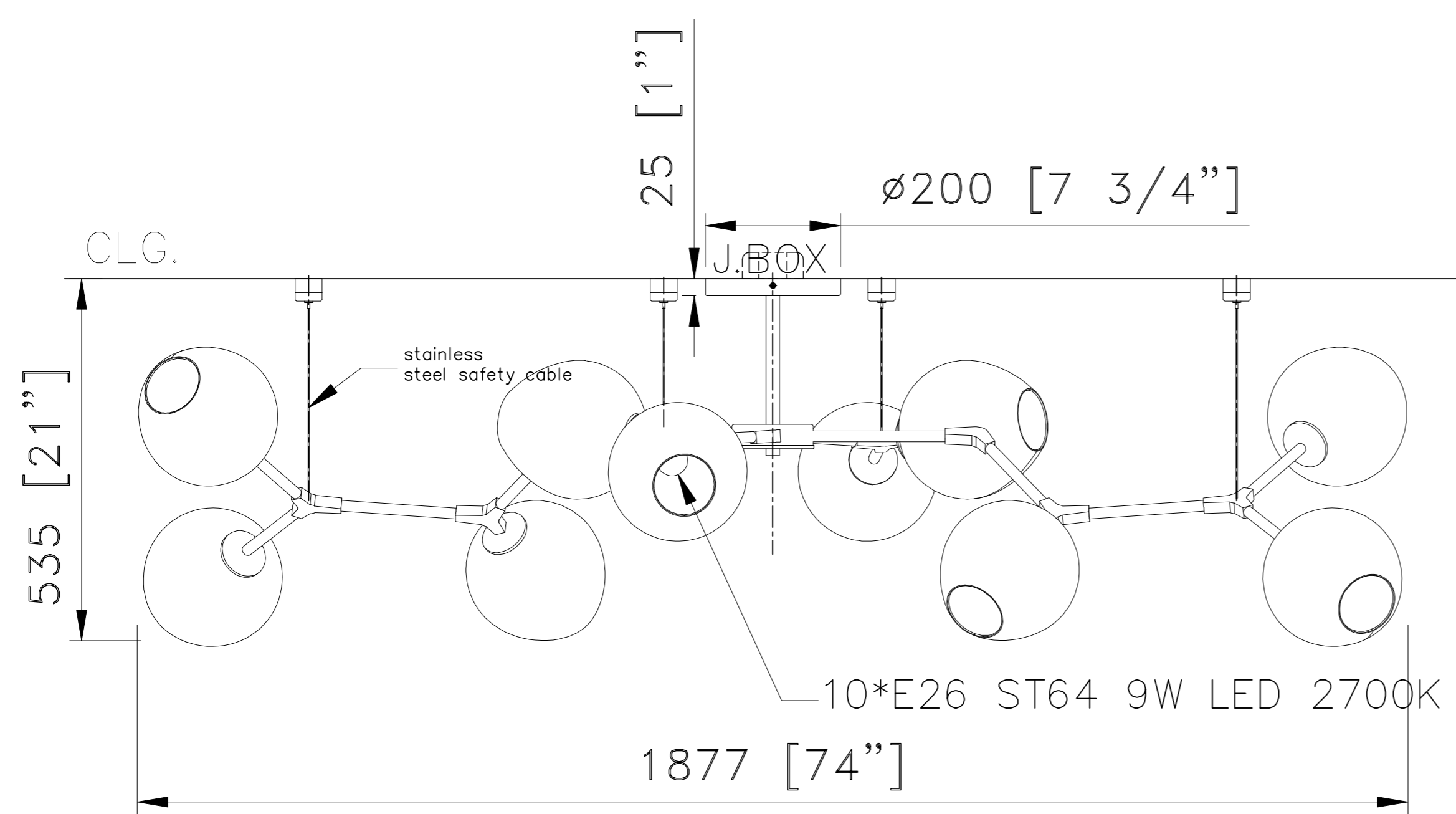


3D VIEW



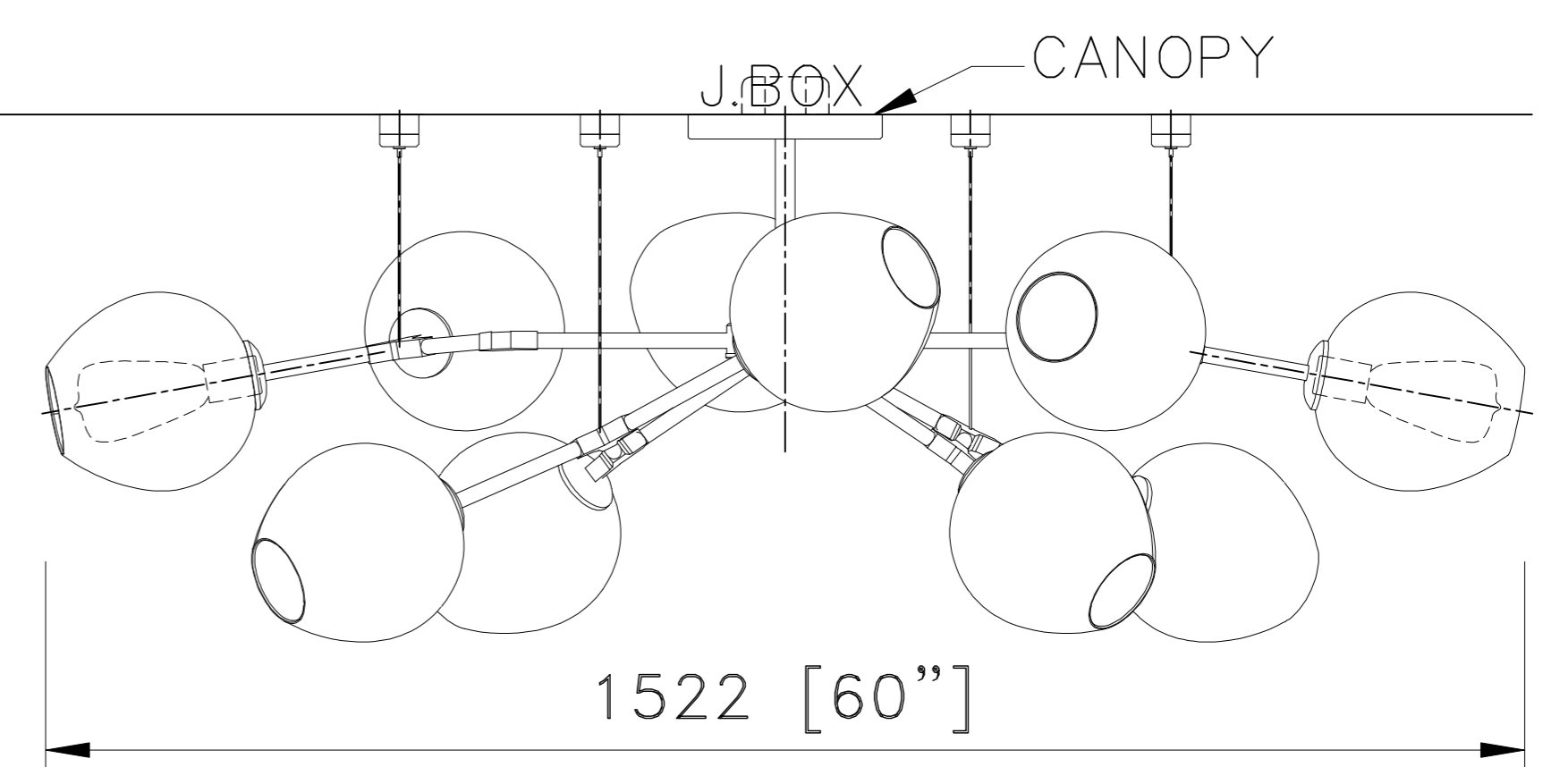
TOP VIEW

SCALE: 1 : 20



FRONT VIEW

SCALE: 1 : 20



SIDE VIEW

SCALE: 1 : 20

CUSTOM WALL SCONCE@ LOBBY / VESTIBULE

ITEM NO: LFIX-5 QTY: 1X

Approval: Date: 3/3/23

With comments: _____

Signed By: DANIELLE BUSH

Estimated Leads time are contingent upon receiving approved submittals and are subject to change

Ingram Manor Apartments

Pikesville, MD

Les Industries CENTURY Industries Inc.

5645 Royalmount Ave.

Dwg. #

Montreal, Quebec, Canada H4P 2P9

Tel: 514-842-3933 Fax: 514-842-7481

Toll free Canada only: 1-877-842-3934

Date: 2022/10/01 Rev: 2023/02/23

(yyyy/mm/dd)

(yyyy/mm/dd)

