



CENTURY

LIGHTING | ART | DESIGN

joekrauslighting

301-537-5808

[joe@joekrauslighting.com](mailto:joe@joekrauslighting.com)

[www.joekrauslighting.com](http://www.joekrauslighting.com)













EXIT

CEILING  
ELEVATED





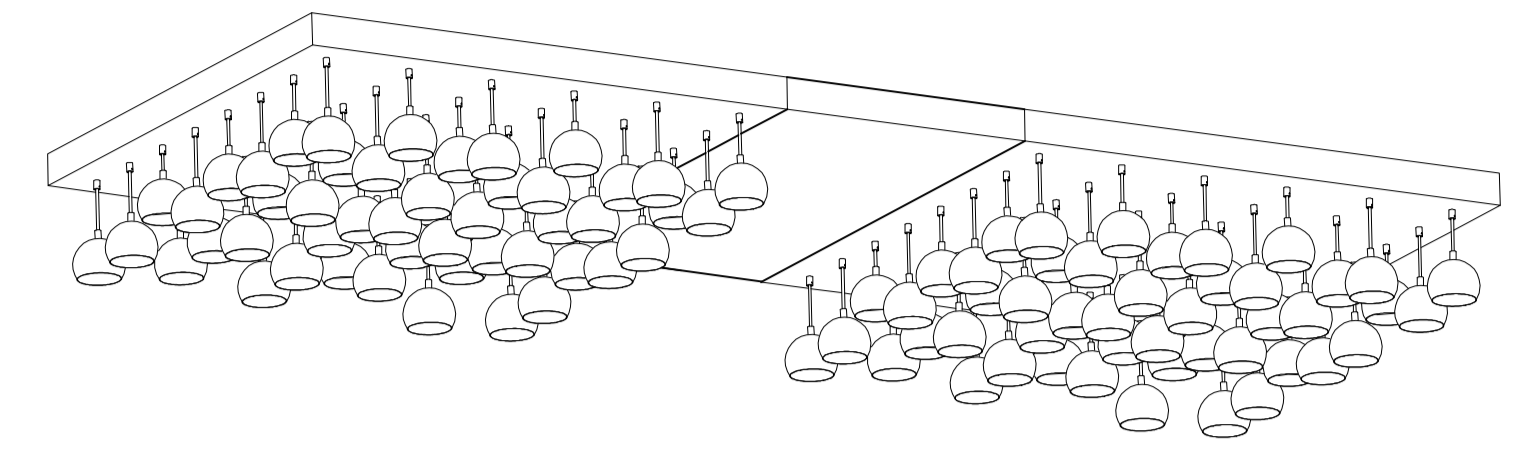
EXIT



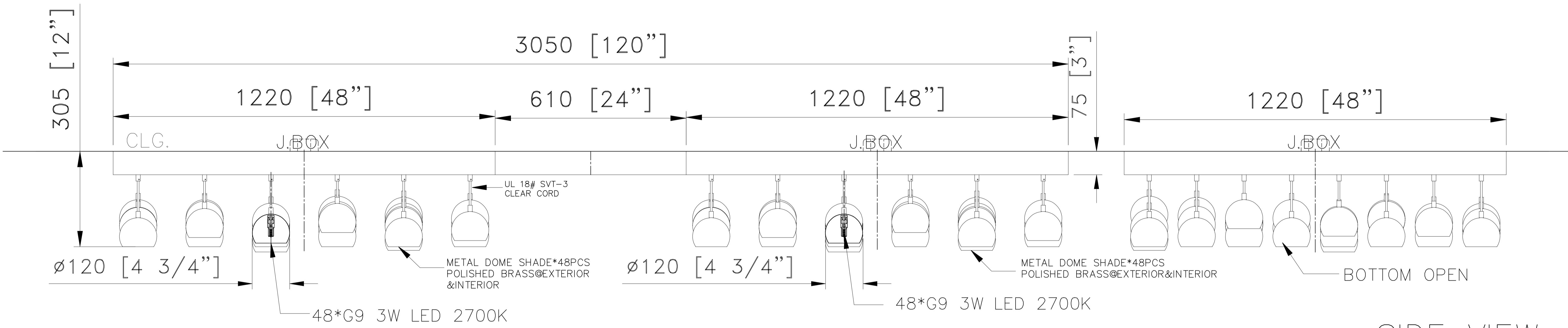
NOTES:

- 1) METAL: ALL EXPOSED METAL FINISH TO BE POLISHED BRASS
- 2) SHADE: 96PCS\*METAL DOME, POLISHED BRASS@EXTERIOR&INTERIOR
- 3) LAMPING: 96PCS\*G9 MAX 6W EA 2700K. DIMMABLE.  
BULB NOT INCLUDED 110-120V.A.C 60Hz.
- 4) HARD WIRED. FIXTURE TO BE IN PRODUCED,  
DELIVERED AND INSTALLED IN TWO SECTIONS  
UL/CUL APPROVED

\*\*\*APPROX MAX. WEIGHTS: 420LBS

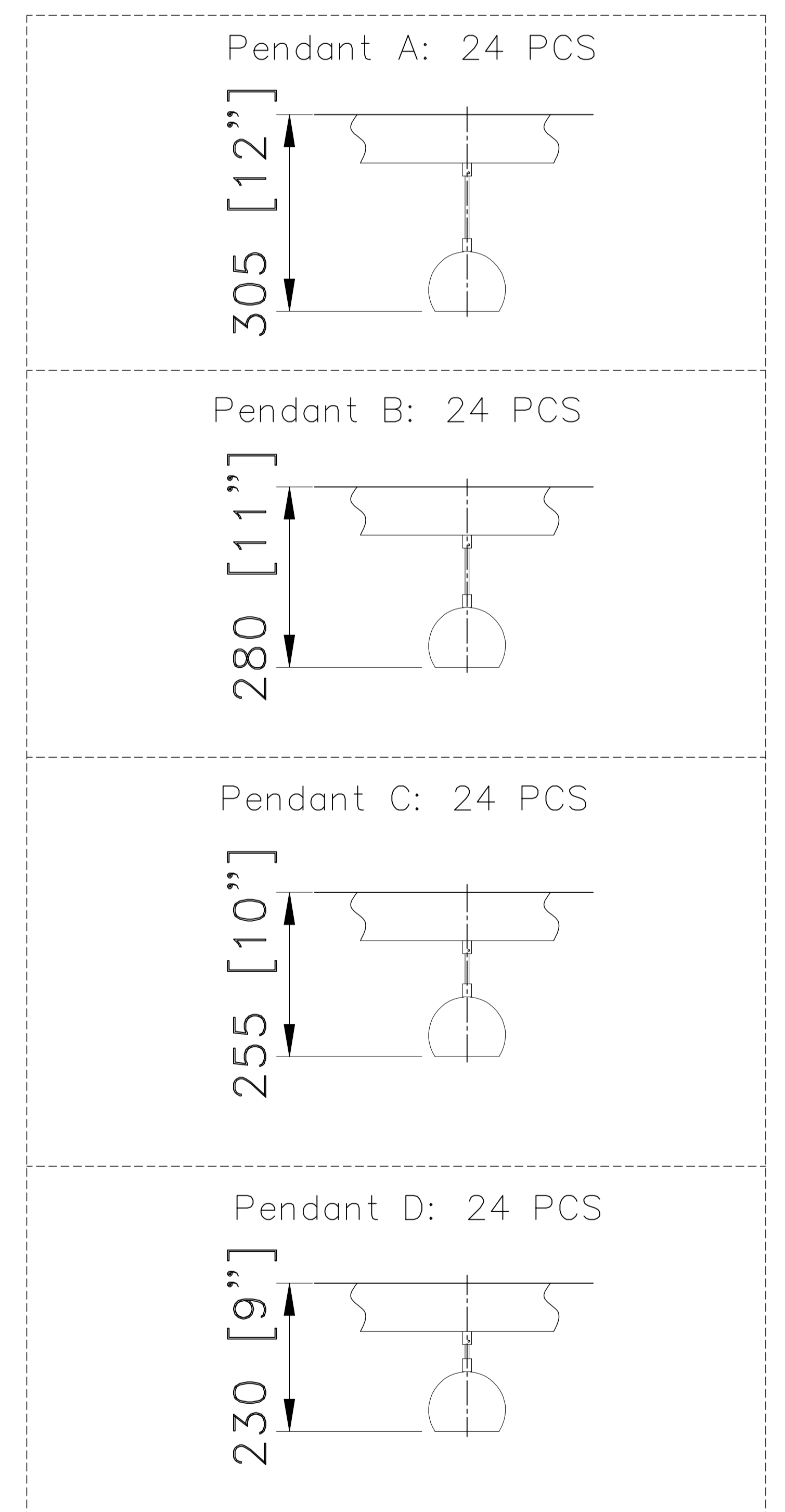
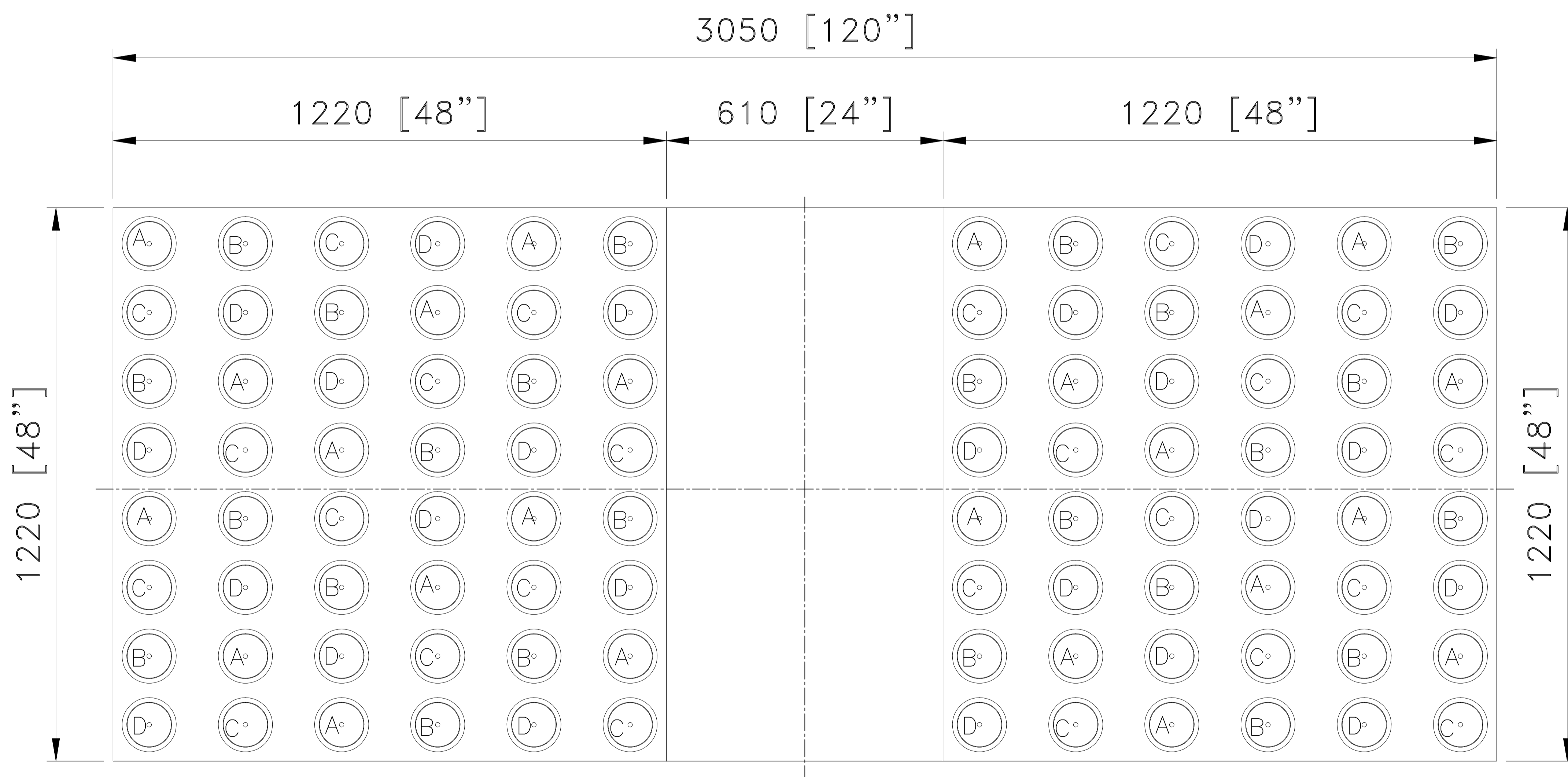


3D VIEW



FRONT VIEW  
SCALE: 1 : 25

SIDE VIEW  
SCALE: 1 : 25



**CUSTOM LARGE CHANDELIER**

ITEM NO: LFIX-3 QTY: 1X

Approval:  Date: 3/3/23

With comments: \_\_\_\_\_

Signed By: DANIELLE BUSH

Estimated Leads time are contingent upon receiving approved submittals and are subject to change

**Ingram Manor Apartments**

Pikesville, MD

Les Industries CENTURY Industries Inc.

5645 Royalmount Ave.

Dwg. #

Montreal, Quebec, Canada H4P 2P9

Tel: 514-842-3933 Fax: 514-842-7481

Toll free Canada only: 1-877-842-3934

Date: 2022/10/01 Rev: 2022/10/10

(yyyy/mm/dd)

(yyyy/mm/dd)