



CENTURY

LIGHTING | ART | DESIGN

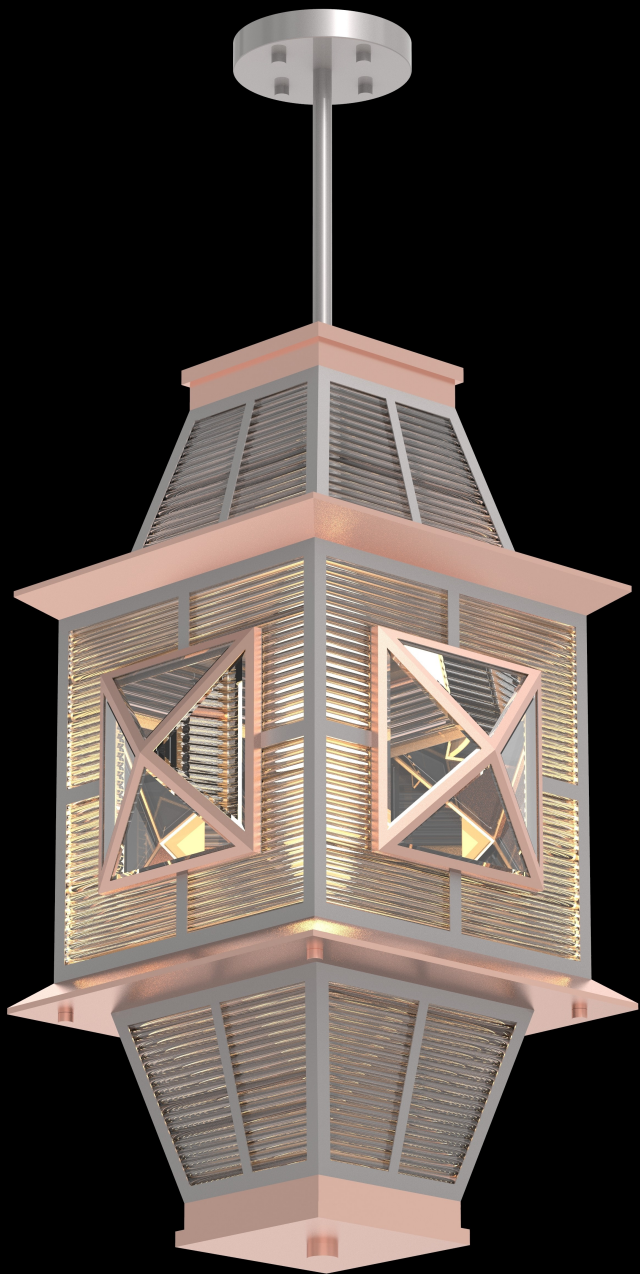
joekrauslighting

301-537-5808

joe@joekrauslighting.com

www.joekrauslighting.com

Ford's Fish Shack

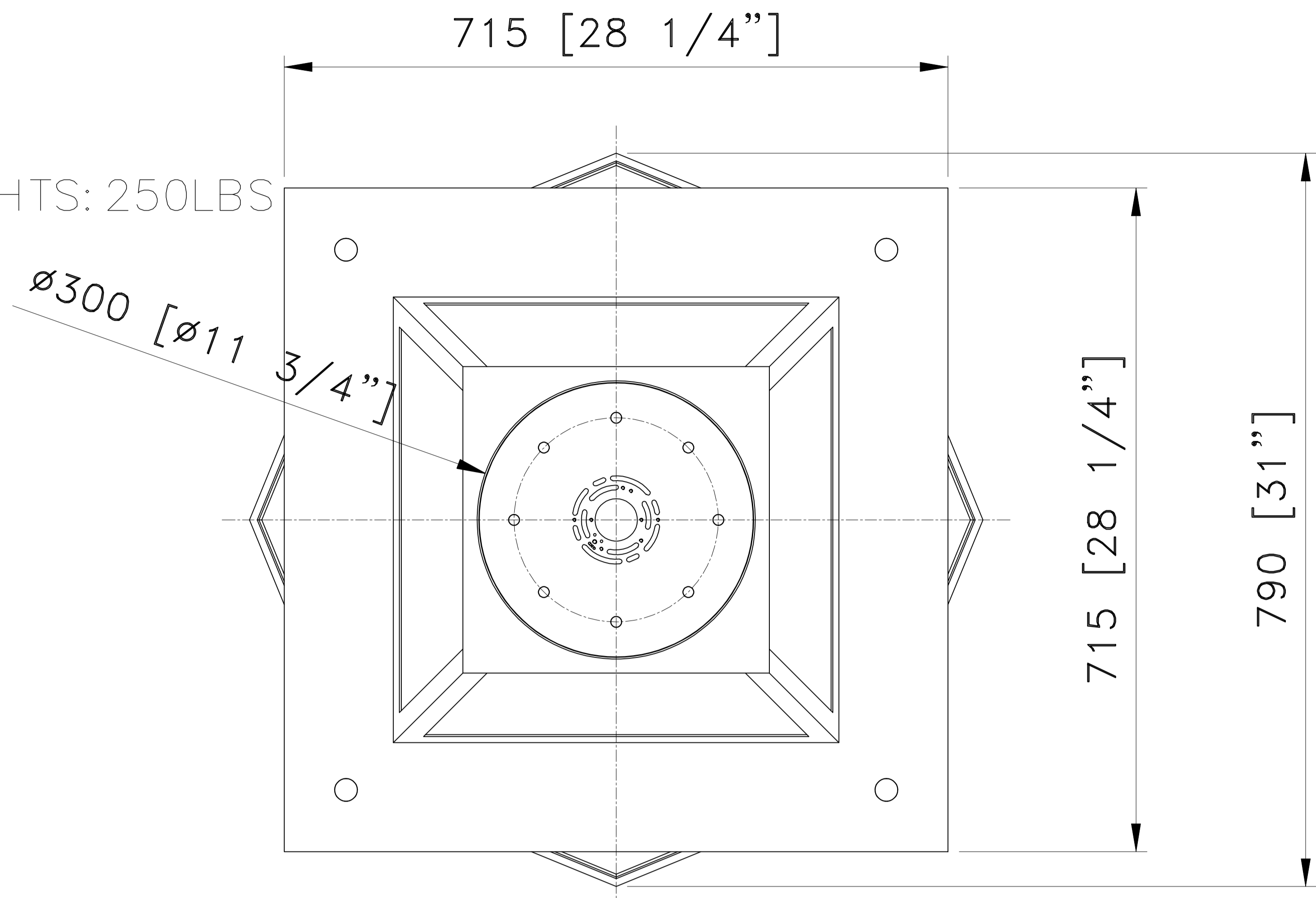


NOTES:

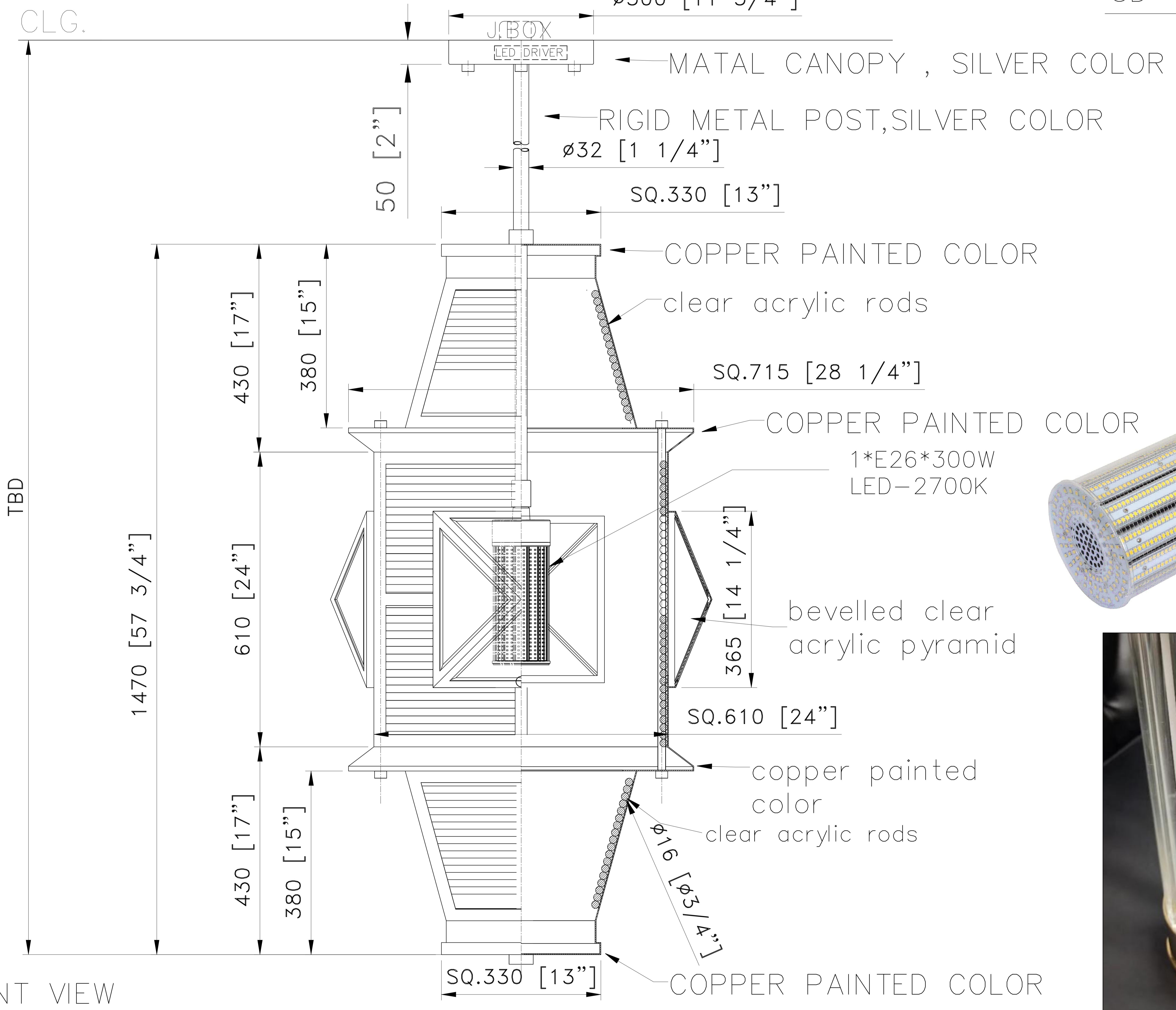
- 1)METAL: ALL EXPOSED METAL FINISH TO BE SILVER&COPPER PAINTED COLOR. REFER TO COLOR LAYOUT AS PER 3D RENDERING
- 2)SHADE: CLEAR ACRYLIC RODS+4PCS*CLEAR BEVELLED ACRYLIC PYRAMID
- 3)LAMPING: 1*E39 LED BULB MAX.300W 2700K.120V.A.C. 60Hz. BULB NOT INCLUDED
- 4)HARD WIRED
UL/CUL APPROVED
- ***APPROX MAX. WEIGHTS: 250LBS

TOP VIEW

SCALE: 1 : 15



3D VIEW



FRONT VIEW

SCALE: 1 : 15



CUSTOM GLASS PENDANT

ITEM NO: CEN-CP-0792 QTY: 1X

Approval: Date: _____

With comments: _____

Signed By: _____

Estimated Leads time are contingent upon receiving approved submittals and are subject to change

Fords Fish Shack

Les Industries CENTURY Industries Inc.
 5645 Royalmount Ave.
 Montreal, Quebec, Canada H4P 2P9
 Tel: 514-842-3933 Fax: 514-842-7481
 Toll free Canada only: 1-877-842-3934
 Date: 2023/10/04 Rev: 2024/05/03
 (yyyy/mm/dd) (yyyy/mm/dd)

Dwg. #

