



CENTURY

LIGHTING | ART | DESIGN

joekrauslighting

301-537-5808

joe@joekrauslighting.com

www.joekrauslighting.com

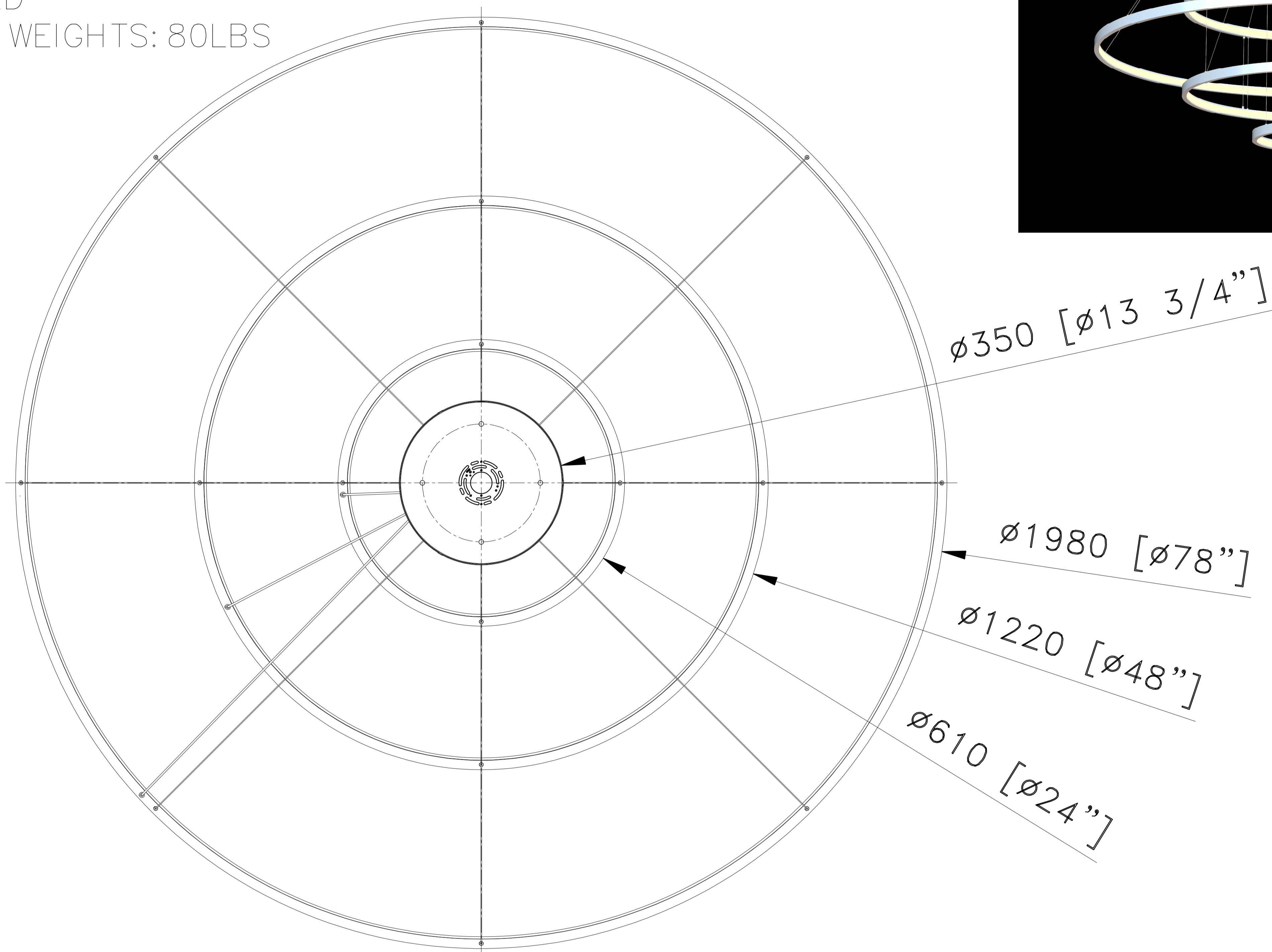


SATIN NICKEL

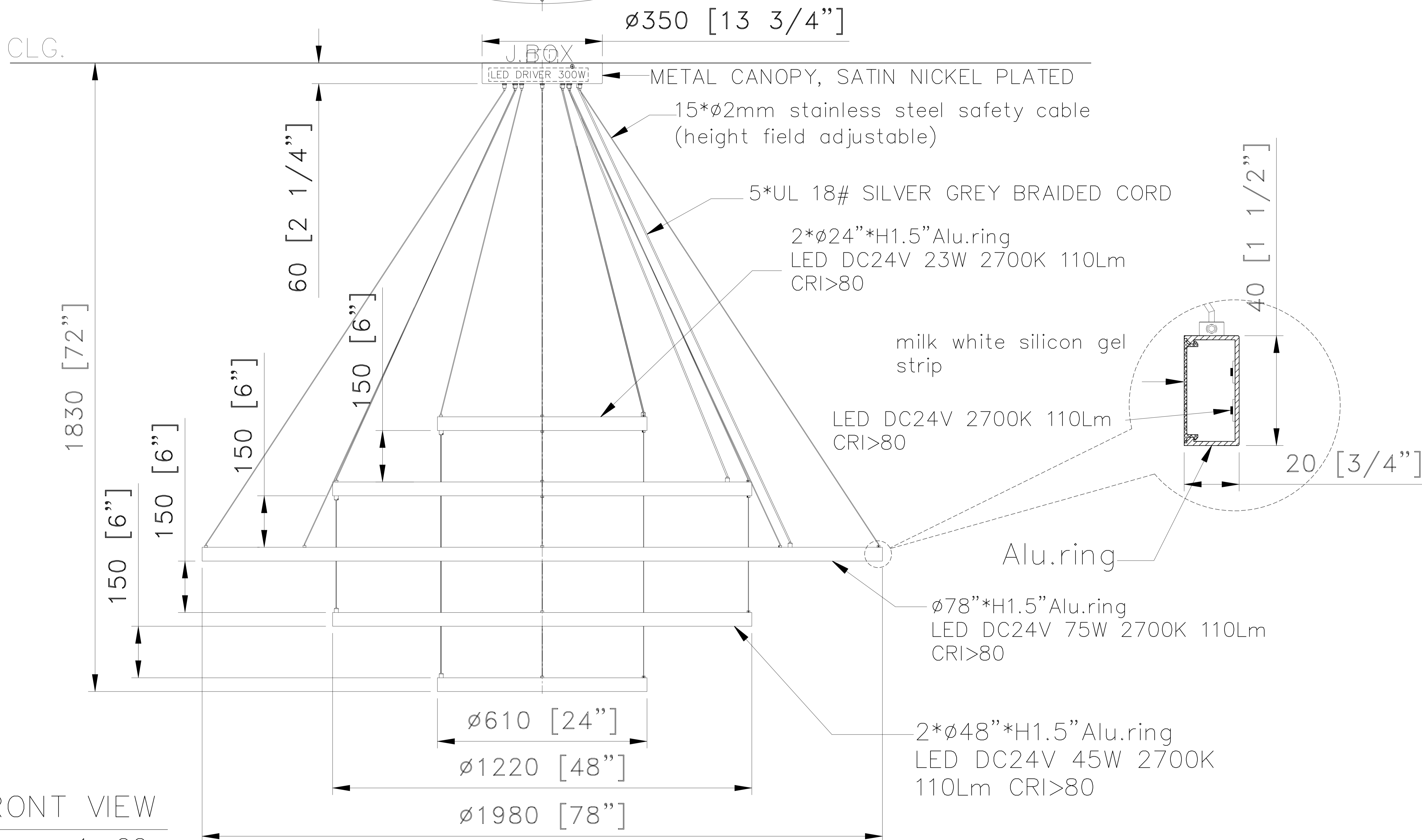
- NOTES:
- 1)METAL: ALL EXPOSED METAL FINISH TO BE ~~MATTE WHITE~~ EXCEPT THE CANOPY TO BE SATIN NICKEL PLATED
 - 2)DIFFUSER: MILK WHITE SILICON GEL STRIPS.
 - 3)LAMPING: INTEGRATED LED 211W 2700K. DIMMABLE. W/DRIVER@CANOPY, 120V.A.C. 60HZ
 - 4)HARD WIRED
- UL/CUL APPROVED
 ***APPROX MAX. WEIGHTS: 80LBS



3D VIEW



TOP VIEW
SCALE: 1 : 22



FRONT VIEW
SCALE: 1 : 22

CUSTOM 5-LAYER RING PENDANT

ITEM NO: CEN-CP-0778 QTY: 2X

BAYHEALTH BLUE HEN CONFERENCE CENTER

Approval: Date: **8/24/2023**

With comments: _____

Signed By:  **Becker Morgan Group Inc.**

Estimated Leads time are contingent upon receiving approved submittals and are subject to change

Les Industries CENTURY Industries Inc.
5645 Royalmount Ave. Dwg. #

Montreal, Quebec, Canada H4P 2P9
Tel: 514-842-3933 Fax: 514-842-7481

Toll free Canada only: 1-877-842-3934

Date: 2023/08/11 Rev: _____
(yyyy/mm/dd) (yyyy/mm/dd)

