



CENTURY

LIGHTING | ART | DESIGN

joekrauslighting 

301-537-5808

joe@joekrauslighting.com

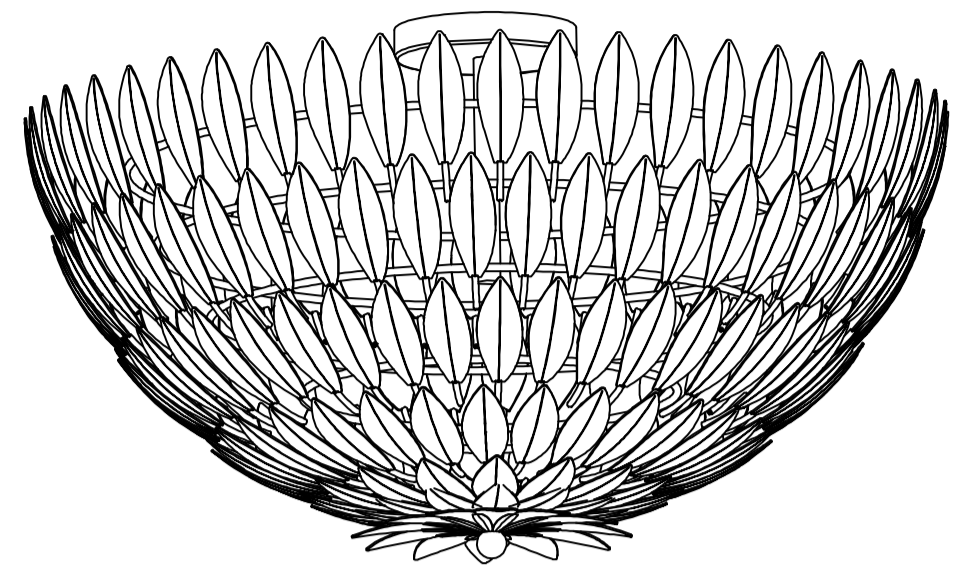
www.joekrauslighting.com

National Landing The Hazel

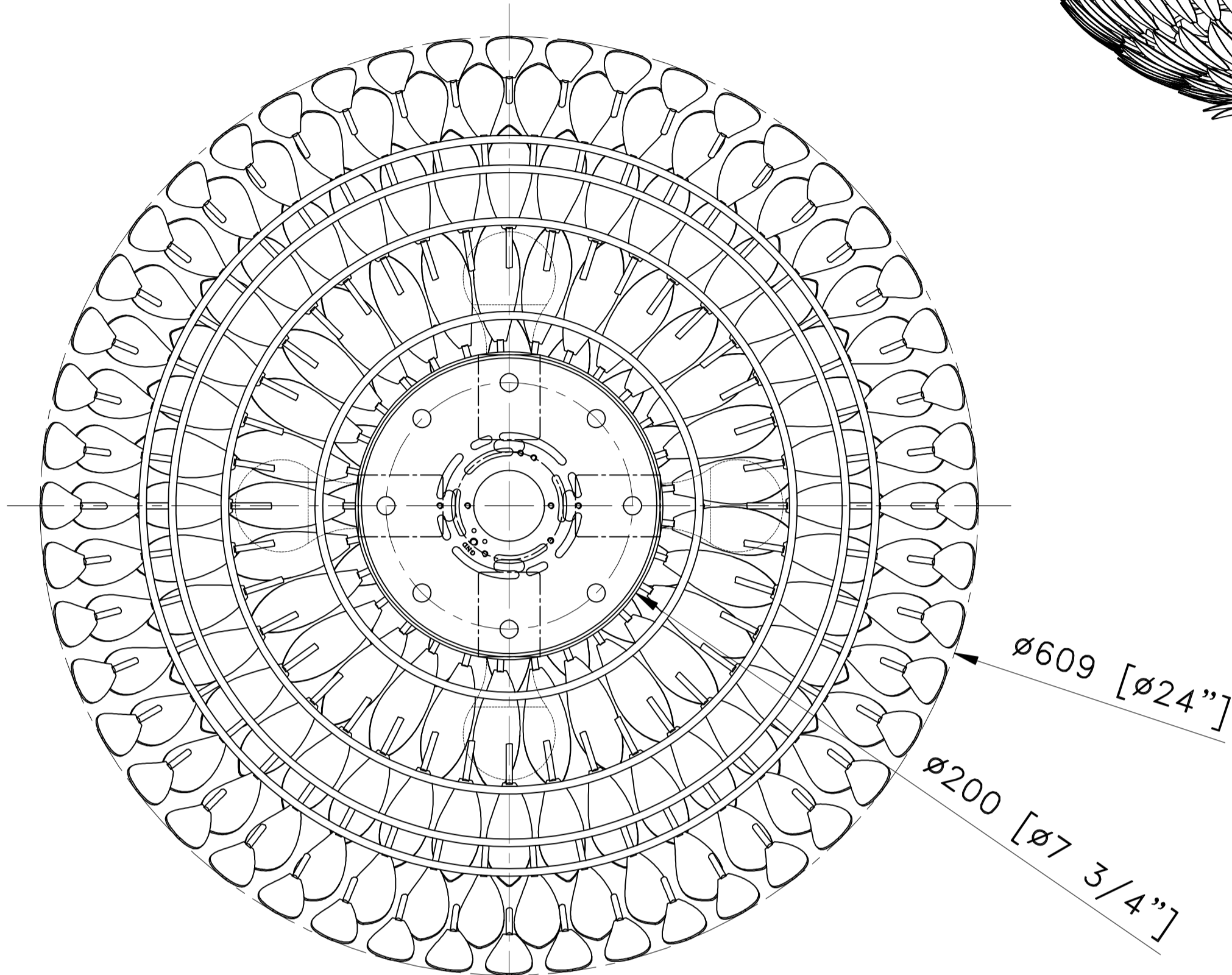


NOTES:

- 1)METAL: ALL EXPOSED METAL FINISH TO BE MATTE WHITE
- 2)SOCKET: 4xEDISON BASE MED.,120V.A.C. 60Hz.
COMPATIBLE W/ E26 A19 MAX.9W EA 2700K LED .DIMMABLE.
BULB INCLUDED
- 3)HARD WIRED
UL/CUL APPROVED
- ***APPROVED MAX.WEIGHTS: 45LBS

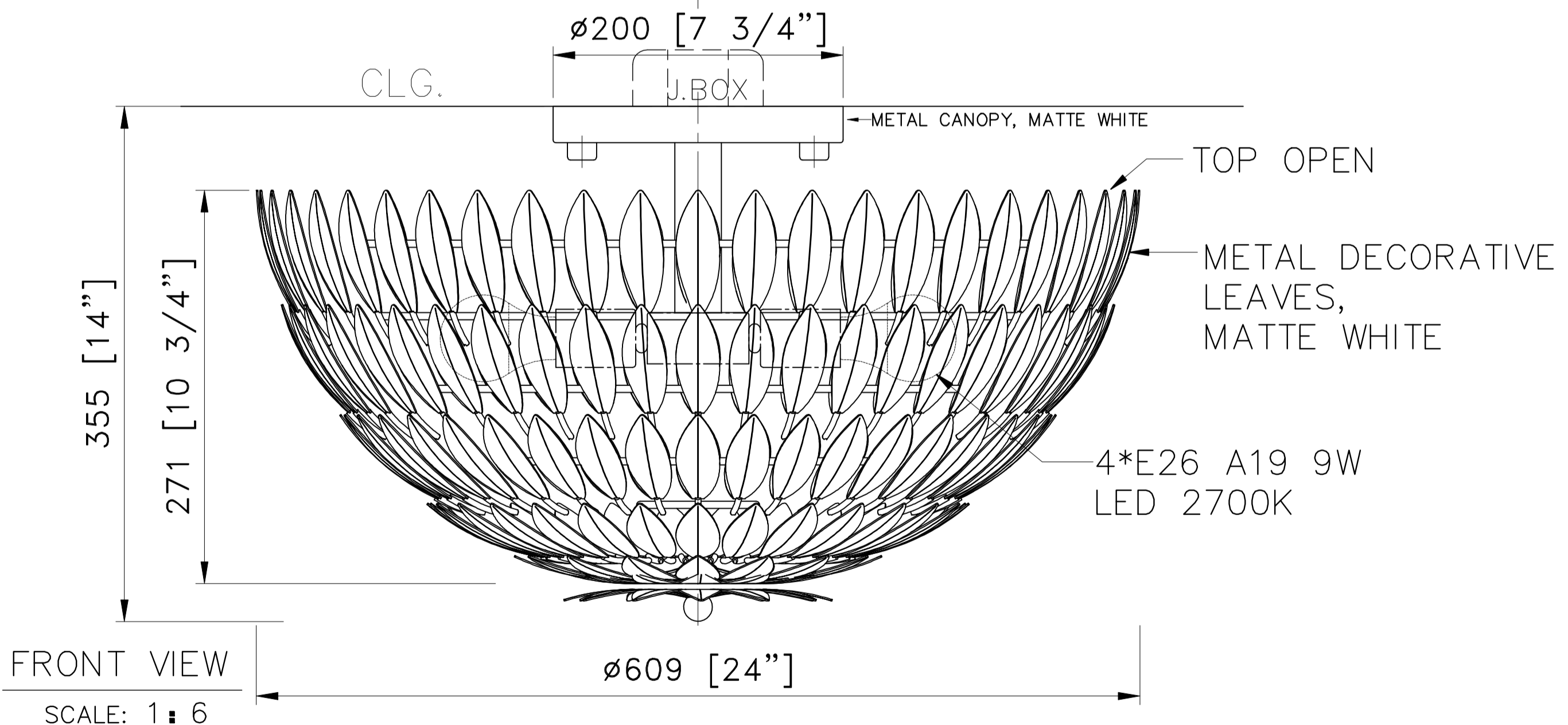


3D VIEW



TOP VIEW

SCALE: 1 : 6



FRONT VIEW

SCALE: 1 : 6

CUSTOM FLUSHMOUNT FIXTURE @AMENITY ARCHWAY CORRIDOR

ITEM NO: BA-AF2 QTY:6X

National Landing Building 2

Arlington, VA

Approval: Date: 04.18.23

With comments:
PROVIDE FINISH SAMPLES FOR 1LD APPROVAL

Signed By: JASON VALENTIN

Estimated Leads time are contingent upon receiving approved submittals and are subject to change

Les Industries CENTURY Industries Inc.

5645 Royalmount Ave.

Montreal, Quebec, Canada H4P 2P9

Tel:514-842-3933 Fax:514-842-7481

Toll free Canada only:1-877-842-3934

Date:2022/11/07 Rev: 2023/03/26

(yyyy/mm/dd)

(yyyy/mm/dd)

Dwg. #

P 1/1

