



CENTURY

LIGHTING | ART | DESIGN

joekrauslighting 

301-537-5808

joe@joekrauslighting.com

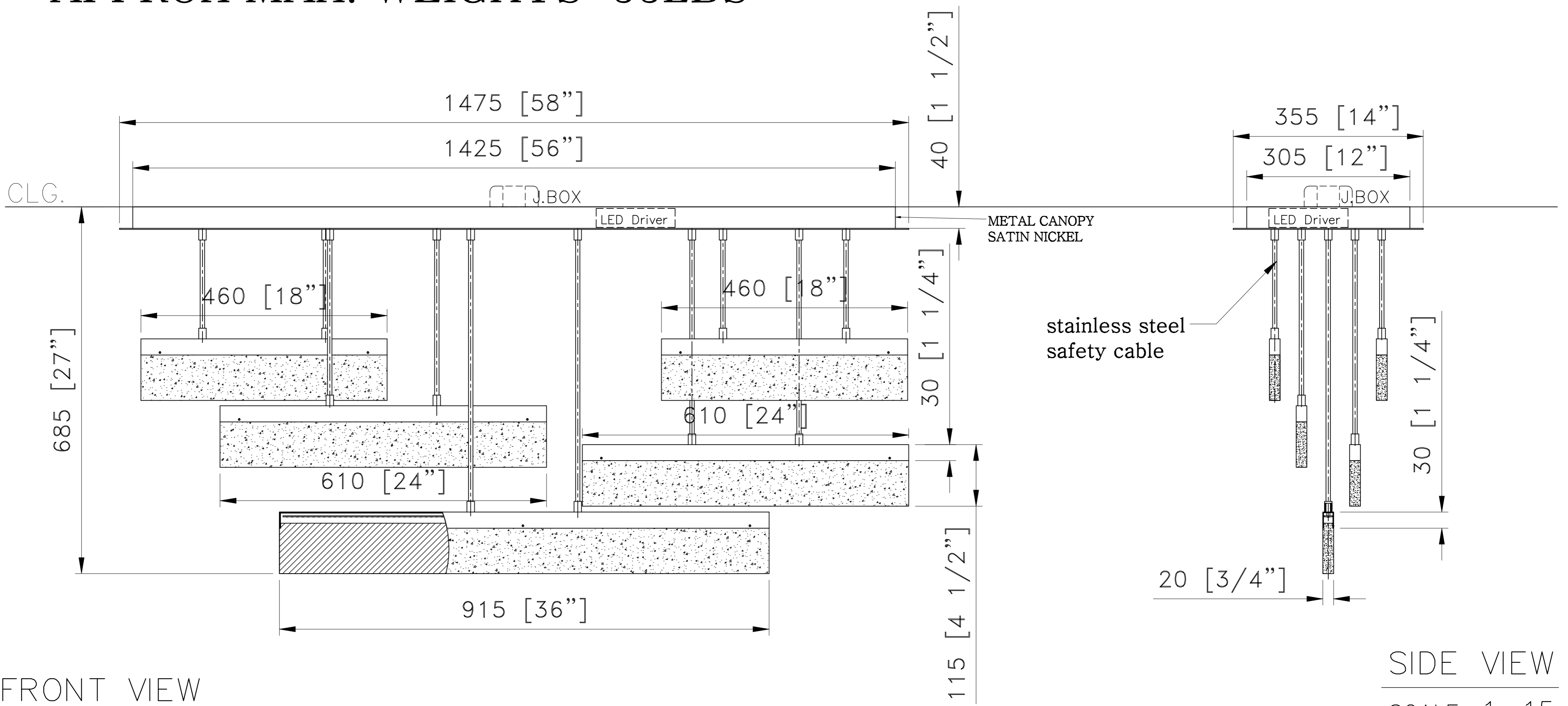
www.joekrauslighting.com

National Landing The Hazel



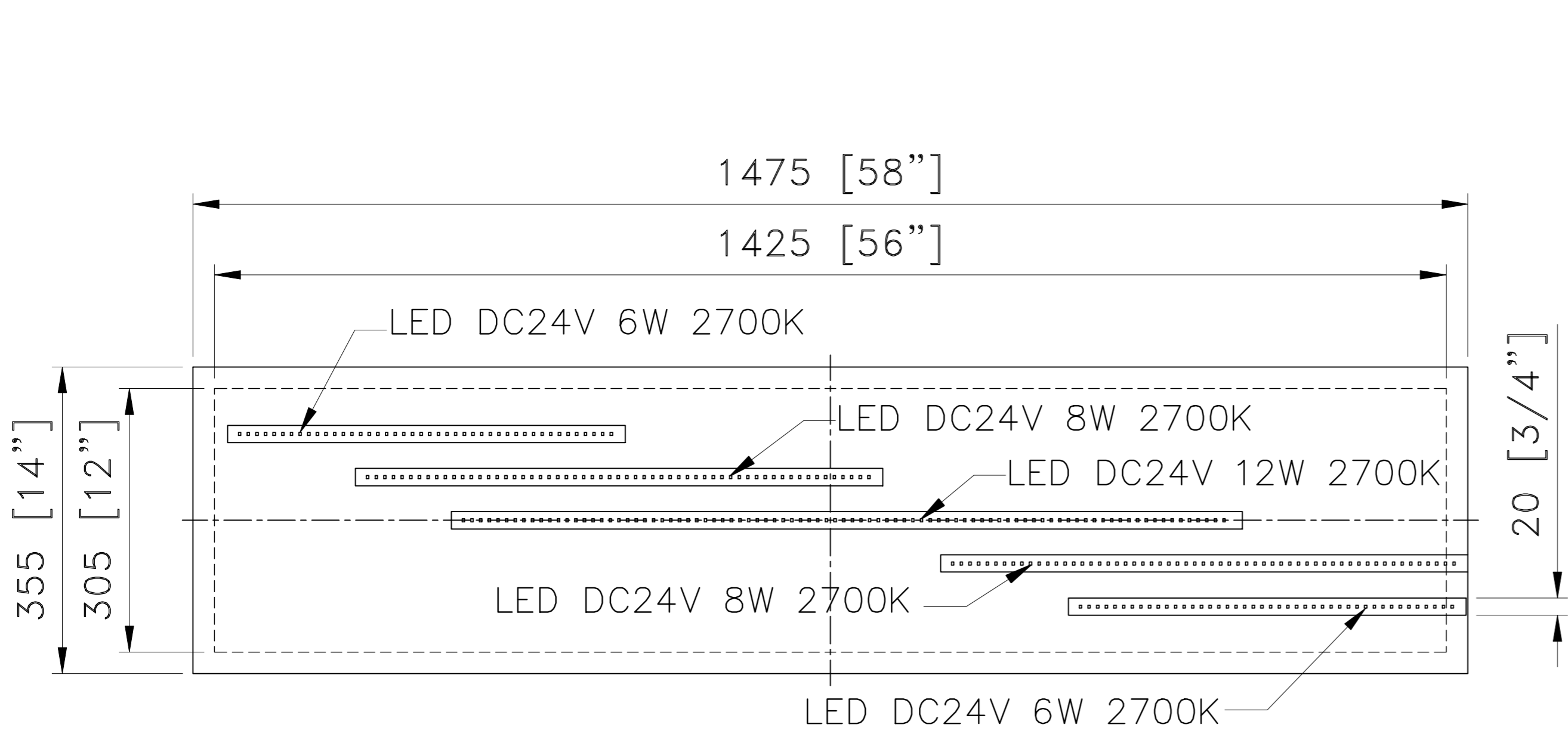
NOTES:

- 1)METAL:ALL THE EXPOSED METAL FINISH TO SATIN NICKEL.
- 2)SHADE:5PCS* FROSTED WHITE ACRYLIC PANELS
- 3)LAMPING:INTEGRATED LED 40W LED 2700K. DIMMABLE.
W/DRIVER@CANOPY
- 4)HARD WIRED.120V.A.C. 50-60Hz
UL/CUL APPROVED
- ***APPROX MAX. WEIGHTS: 55LBS

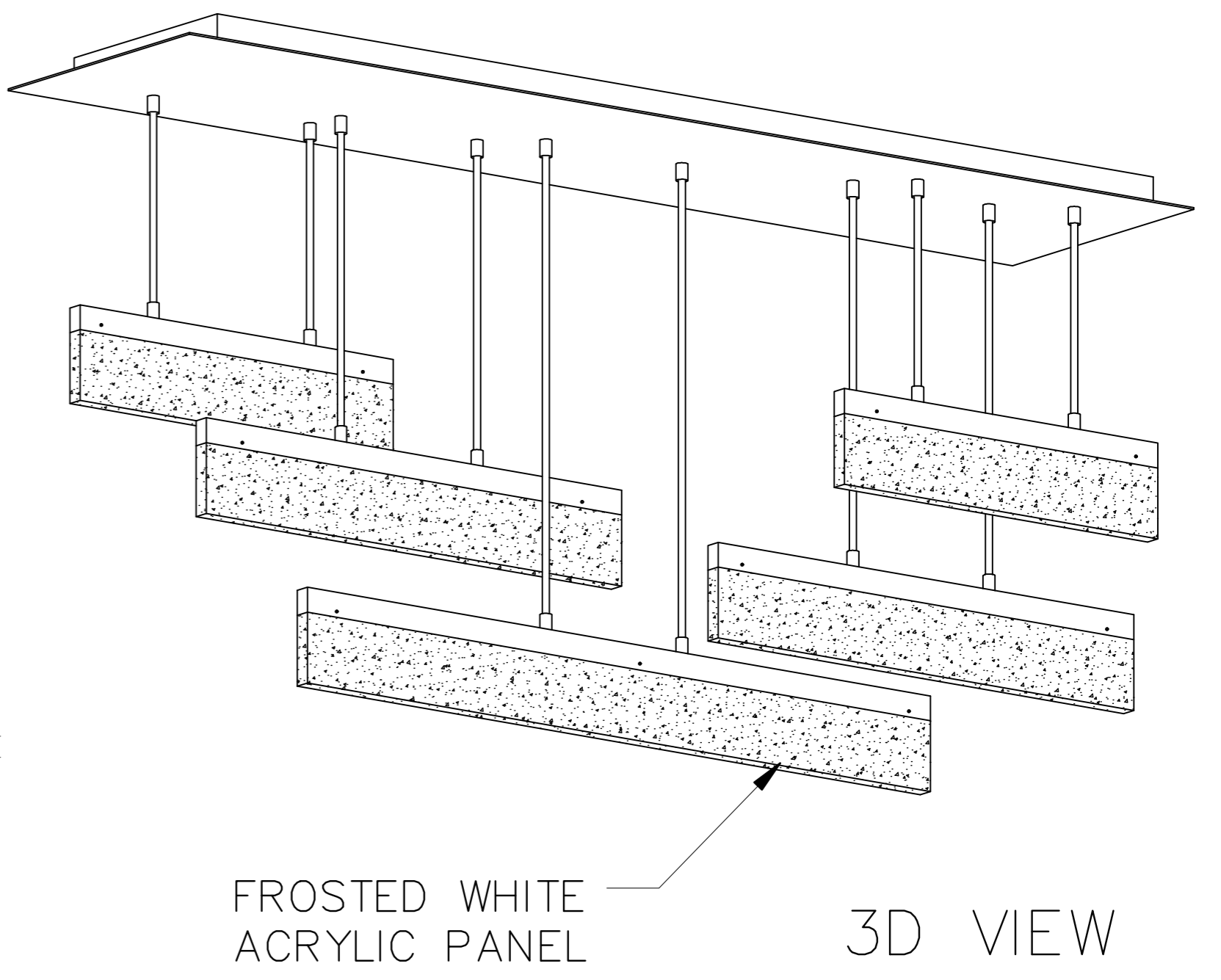


FRONT VIEW
SCALE: 1 : 15

SIDE VIEW
SCALE: 1 : 15



BOTTOM VIEW
SCALE: 1 : 15



3D VIEW

CUSTOM LINEAR CHANDELIER

ITEM NO: B1-AP6 QTY: 1X

Approval: Date: 04.18.23

With comments: _____
PROVIDE FINISH SAMPLES FOR 1LD APPROVAL.
REVIEWED AS NOTED.

Signed By: JASON VALENTIN

Estimated Leads time are contingent upon receiving approved submittals and are subject to change

National Landing Building 1

Arlington, VA

Les Industries CENTURY Industries Inc.
5645 Royalmount Ave.
Montreal, Quebec, Canada H4P 2P9
Tel: 514-842-3933 Fax: 514-842-7481
Toll free Canada only: 1-877-842-3934
Date: 2022/11/07 Rev: 2023/03/26
(yyyy/mm/dd) (yyyy/mm/dd)

Dwg. #

