



CENTURY

LIGHTING | ART | DESIGN

joekrauslighting 

301-537-5808

[joe@joekrauslighting.com](mailto:joe@joekrauslighting.com)

[www.joekrauslighting.com](http://www.joekrauslighting.com)

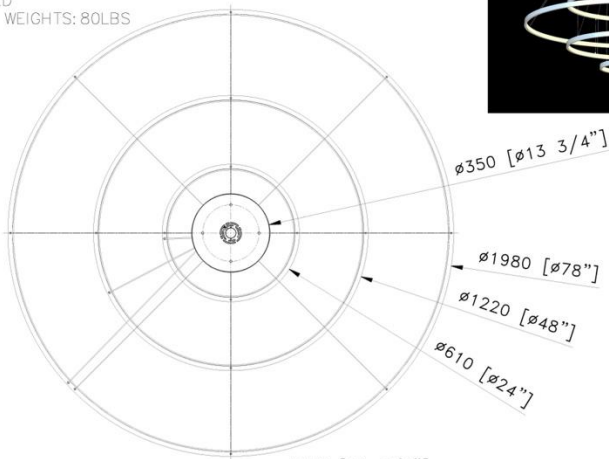
NOTES:

**SATIN NICKEL**

- 1)METAL:ALL EXPOSED METAL FINISH TO BE MATTE-WHITE EXCEPT THE CANOPY TO BE SATIN NICKEL PLATED
  - 2)DIFFUSER:MILK WHITE SILICON GEL STRIPS.
  - 3)LAMPING:INTEGRATED LED 211W 2700K. DIMMABLE. W/DRIVER@CANOPY, 120V.A.C. 60HZ
  - 4)HARD WIRED
- UL/CUL APPROVED  
 \*\*\*APPROX MAX. WEIGHTS:80LBS

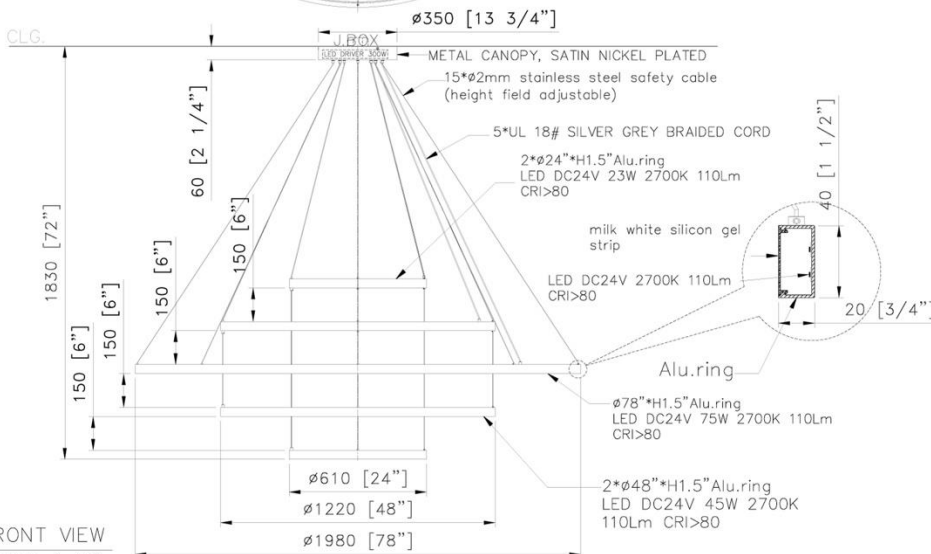


3D VIEW



TOP VIEW

SCALE: 1: 22



FRONT VIEW

SCALE: 1: 22

**CUSTOM 5-LAYER RING PENDANT**

ITEM NO: CEN-CP-0778 QTY: 2X

Approval:  Date: 8/24/2023

With comments: \_\_\_\_\_

Signed By: *Becker Morgan Group Inc.*

Estimated Leads time are contingent upon receiving approved submittals and are subject to change

**BAYHEALTH BLUE HEN CONFERENCE CENTER**

Les Industries CENTURY Industries Inc.  
 5645 Royalmount Ave.  
 Montreal, Quebec, Canada H4P 2P9  
 Tel: 514-842-3933 Fax: 514-842-7481  
 Toll free Canada only: 1-877-842-3934  
 Date: 2023/08/11 Rev: \_\_\_\_\_

Dwg. #

(yyyy/mm/dd) (yyyy/mm/dd)

P 1/1

