



CENTURY

LIGHTING | ART | DESIGN

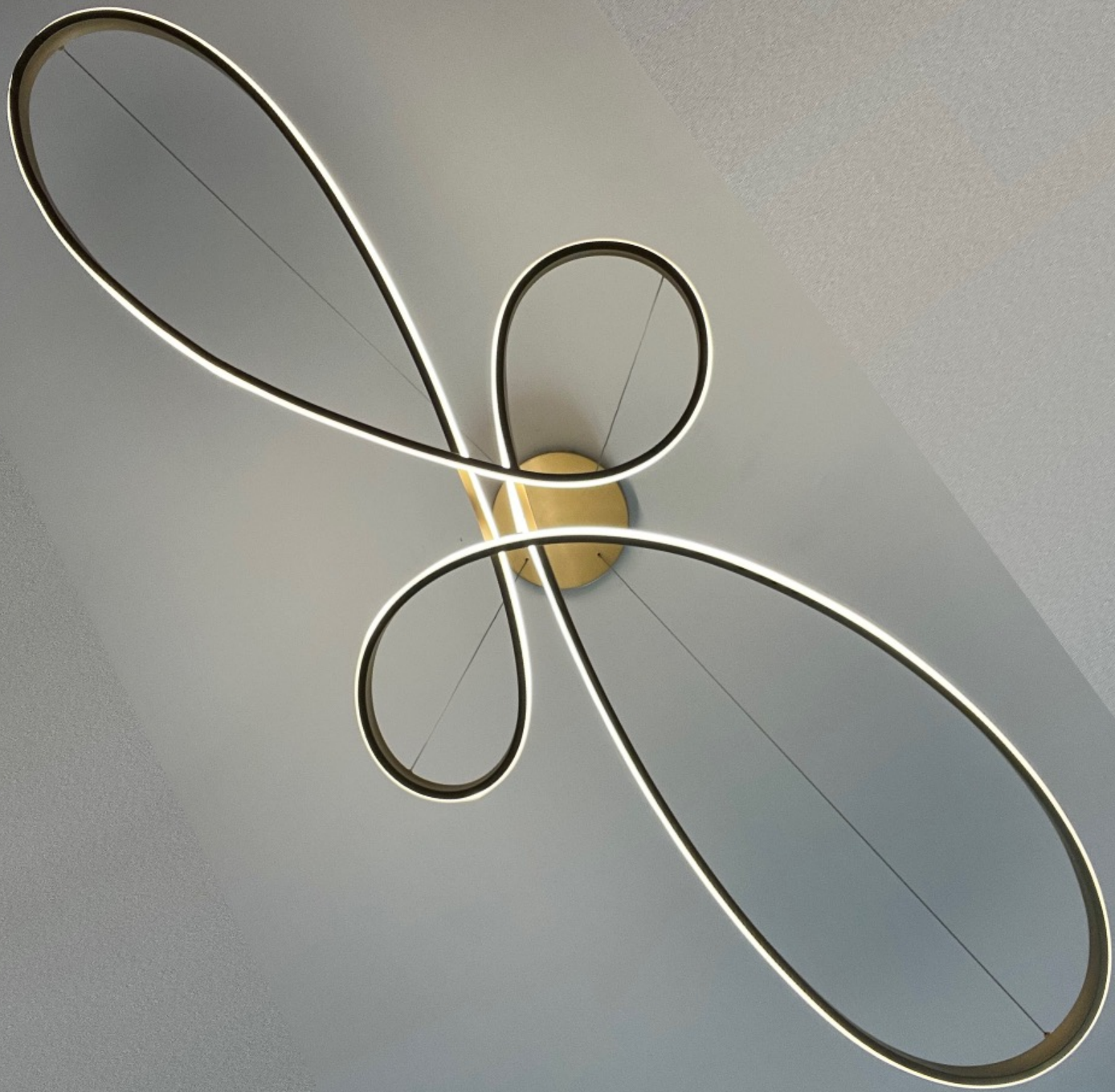
joekrauslighting

301-537-5808

joe@joekrauslighting.com

www.joekrauslighting.com

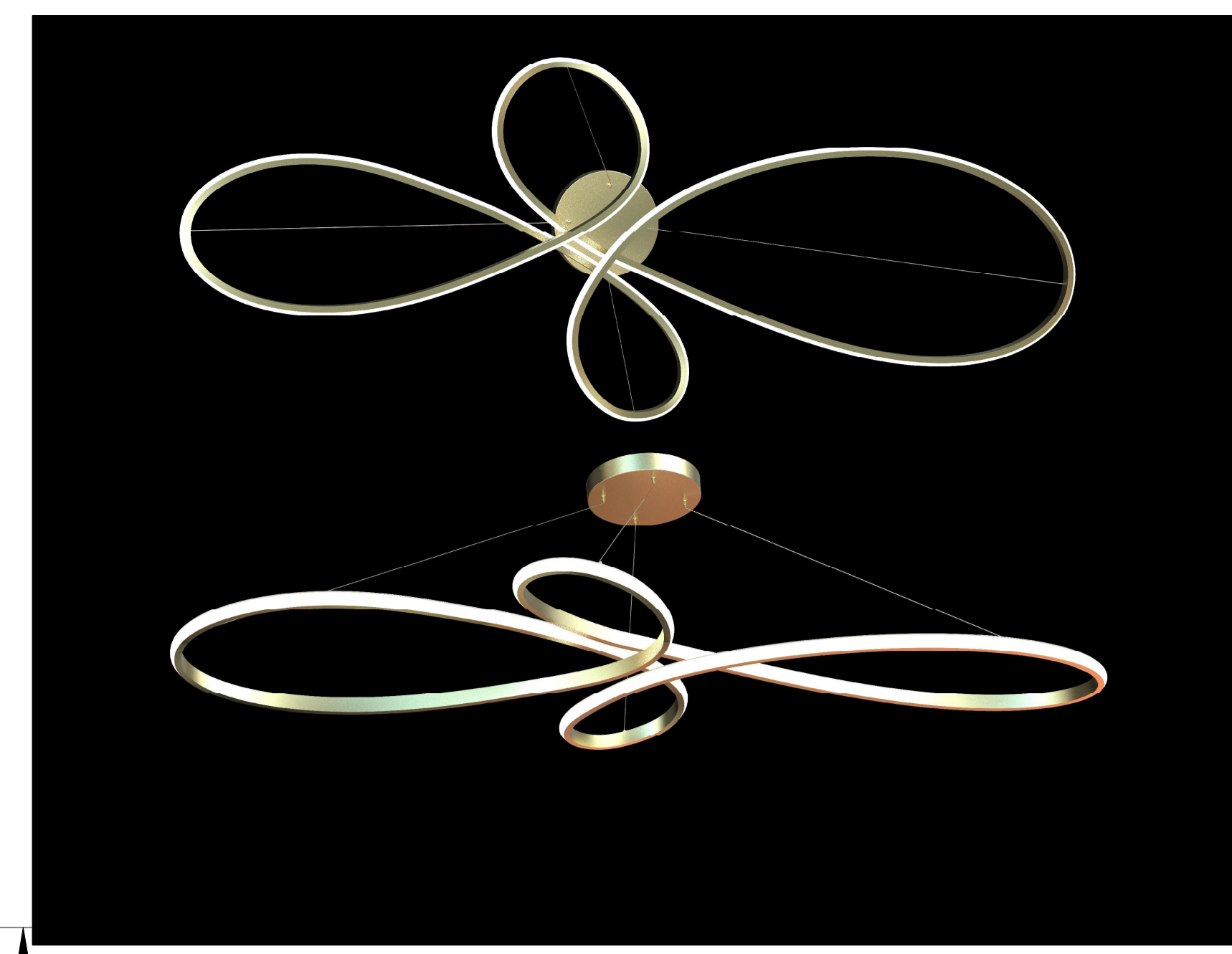
Berkshire Country Club



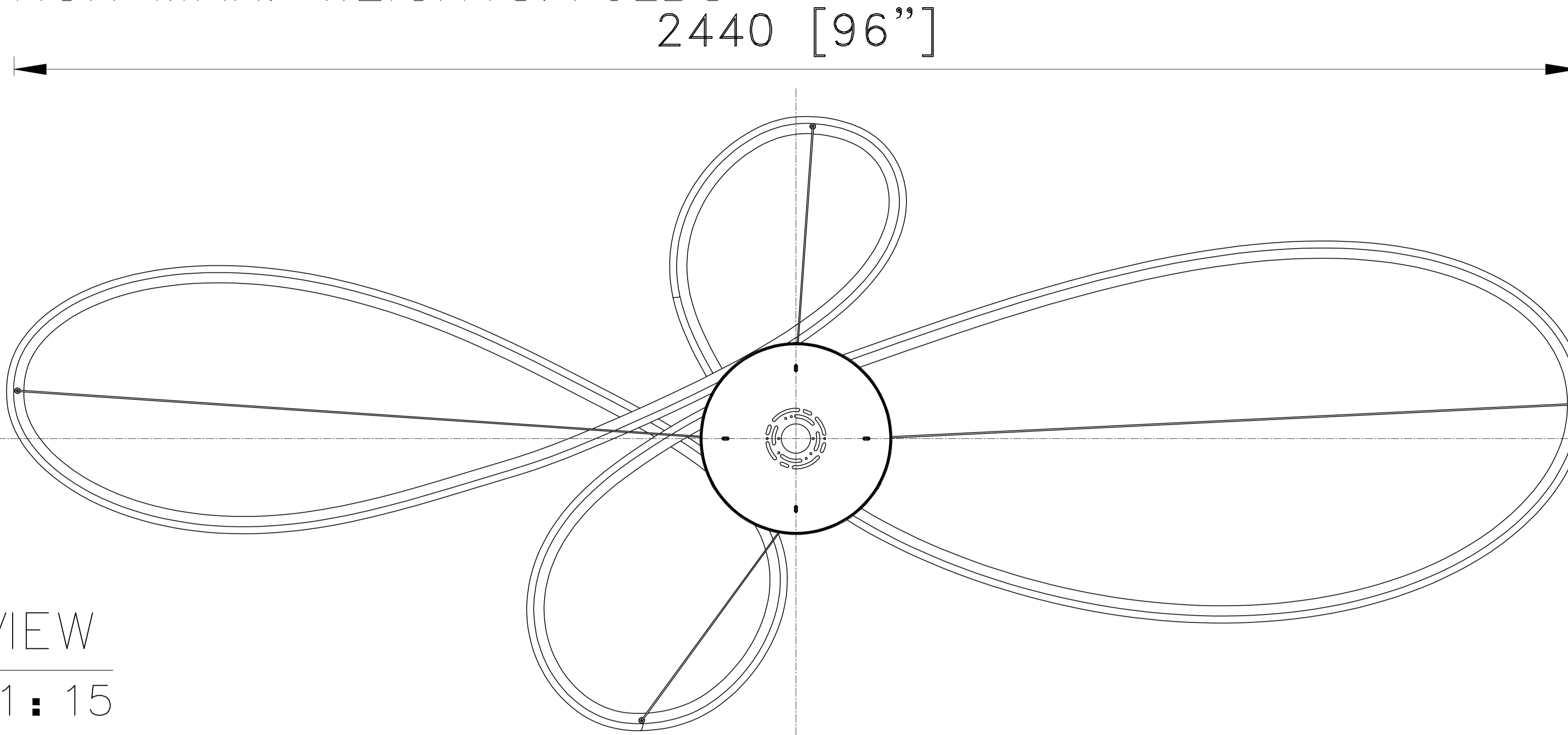


NOTES:

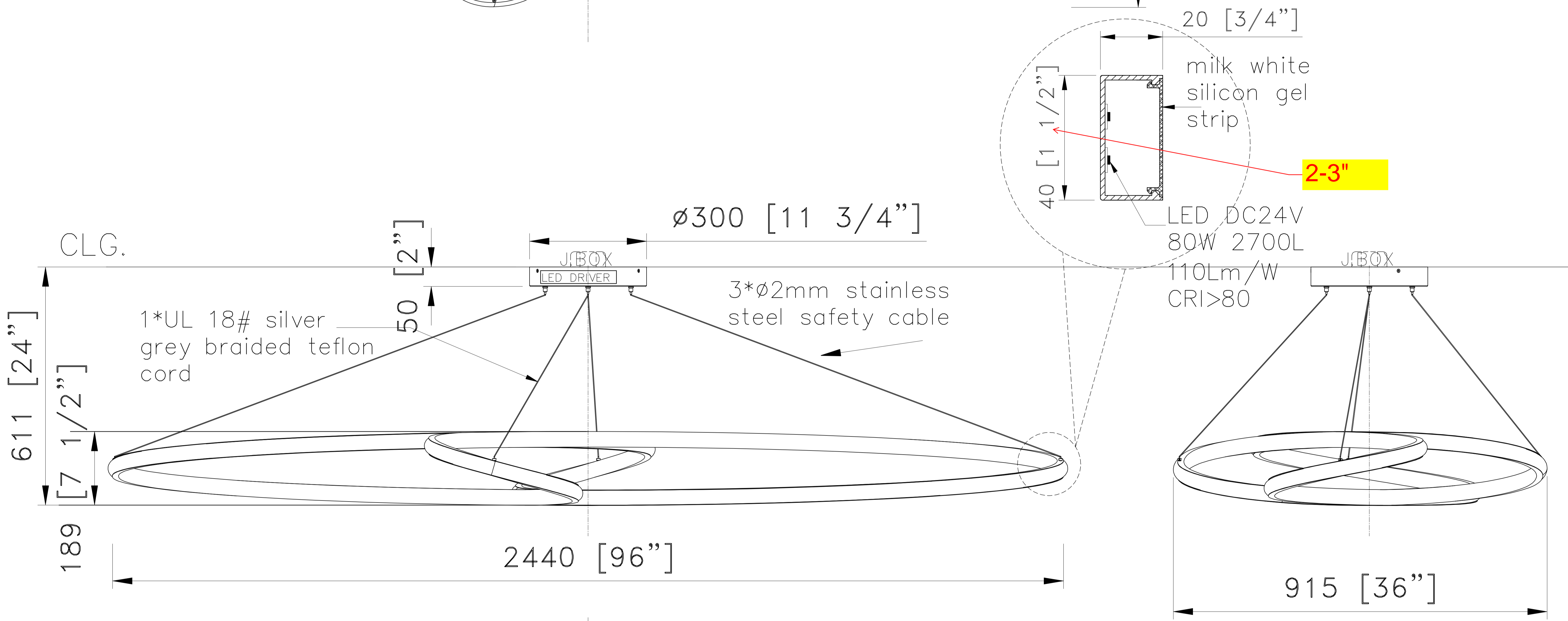
- 1)METAL: ALL EXPOSED METAL TO BE PAINTED ANTIQUE BRASS
- 2)SHADE: MILK WHITE SILICON GEL STRIPS. ✓
- 3)LAMPING: INTEGRATED LED 80W 2700K. ELV DIMMING. W/DRIVER@CANOPY. 120V.A.C. 60Hz
- 4)HARD WIRED; UL/CUL APPROVED
- ***APPROX MAX. WEIGHTS: 70LBS



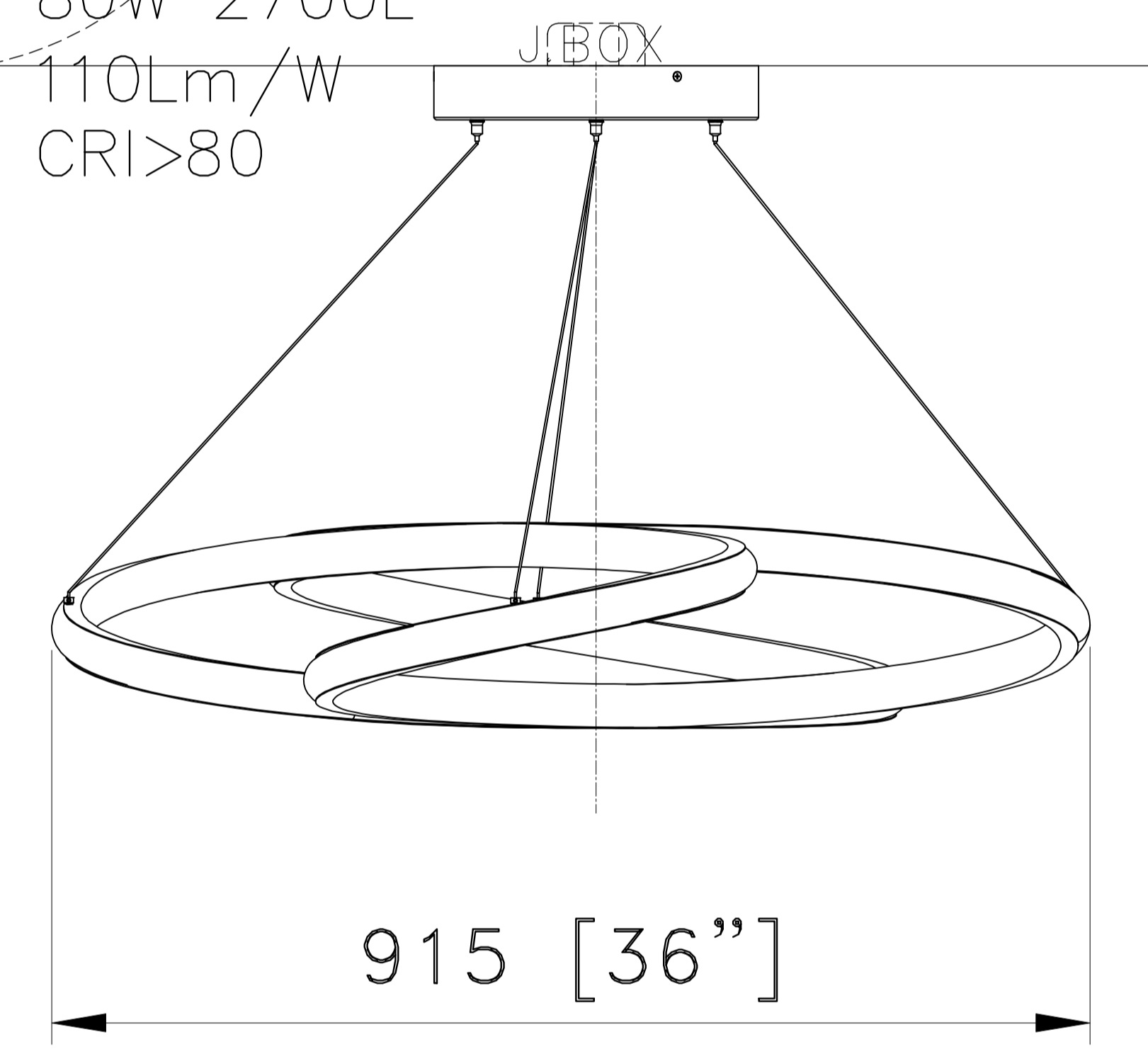
3D VIEW



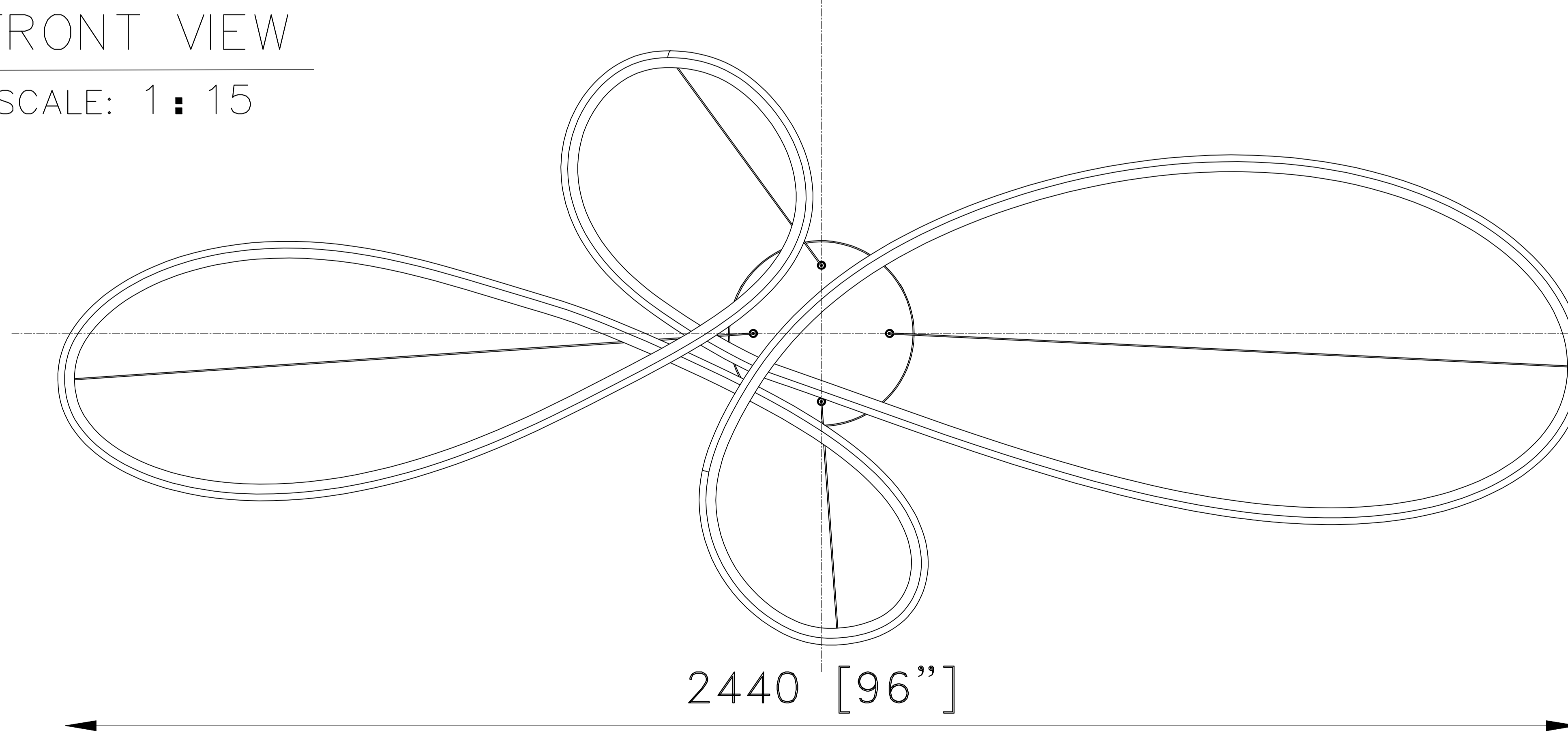
TOP VIEW
SCALE: 1 : 15



FRONT VIEW
SCALE: 1 : 15



SIDE VIEW
SCALE: 1 : 15



SCALE: 1 : 15

CUSTOM LINEAR CHANDELIER

ITEM NO: P-06 QTY: 3X

Approval: Date: **revise TRose 1.30.24**

With comments: _____

Signed By: _____

Estimated Leads time are contingent upon receiving approved submittals and are subject to change

THE BERKSHIRE COUNTRY CLUB

READING, PA

Les Industries CENTURY Industries Inc.
 5645 Royalmount Ave.
 Montreal, Quebec, Canada H4P 2P9
 Tel: 514-842-3933 Fax: 514-842-7481
 Toll free Canada only: 1-877-842-3934
 Date: 2024/01/17 Rev: 2024/01/25
 (yyyy/mm/dd) (yyyy/mm/dd)

Dwg. #

P 1/1